

RF502ICAT

5" Remodel Airtight Housing for Insulated Ceilings
For BR30, PAR30, A19 Lamps

Job Information		
Project Name		Type
Location		
Quantity		Date
Contact/Phone		
Notes		

Features

Housing Can

Constructed of aluminum to prevent corrosion. The can houses a vertically adjustable medium based socket to accommodate various lamp and trim combinations. Thermally protected to protect against over-heating.

7/8" knockouts with true pryout, a ground wire and quick connect push-in terminals.

Socket

Medium based socket attached to a vertically adjustable bracket. Socket can be removed from bracket.

Mounting Clips

Four pressure clips with a locking tab located on the wall of the housing can. These clips can accommodate ceilings with thicknesses from 1/2" to 1-1/4".

Lamps

- BR30, 120V, 65W max.
 - PAR30, 120V, 75W max.
 - A19, 120V, IC – 40W max, non-IC – 60W max.
- Maximum lamp wattage is subject to limitations as listed with trims.

Junction Box

1-1/2" x 5" x 3-1/2" #17ga galvanized steel. UL listed for maximum of eight #12AWG 90°C through branch circuit conductors (four in and four out). The junction box is provided with nine

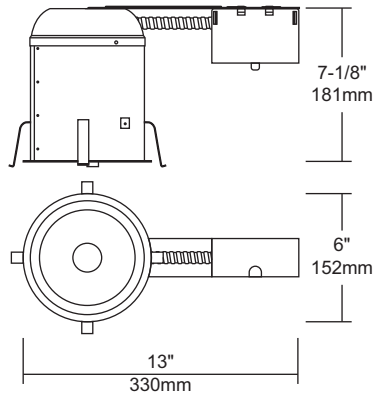
Labels

cULus listed for damp locations.



Description

The RF502ICAT is a five-inch remodel dual duty housing. The housing is airtight for both IC and non-IC applications.



Notes: Accessories should be ordered separately. For additional options please consult your Liteline representative. Romex is a registered trademark of Southwire Company. Due to our continued efforts to improve our products, product specifications are subject to change without notice.

Ordering Guide



RF502ICAT

5" Remodel housing for use in IC or non-IC applications.