

RTM502

5" Stepped Metal Baffle
For BR30 and PAR30 Lamps

Job Information		
Project Name		Type
Location		
Quantity		Date
Contact/Phone		
Notes		

Features

Trim

Constructed of precision spun 0.040" steel.

Reflector

Stepped metal baffle with recessed lamp position to minimize aperture glare and improve visual comfort.

Mounting

Two torsion spring retention to housing.

Lamps

- BR30, 120V, 65W max.
- PAR30, 120V, 75W max.

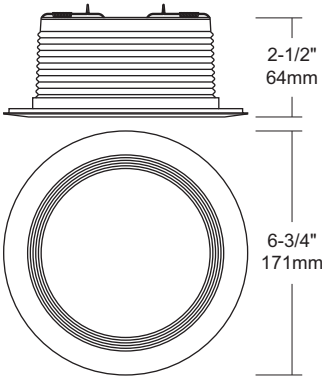
Labels

cULus listed.



Description

The RTM502 is a stepped metal baffle with trim ring designed for our RF5 series housings with BR30 or PAR30 short neck lamps. The baffle provides an attractive look and minimizes glare. The RTM502 can be used for general or task lighting applications.



Notes: Accessories should be ordered separately. For additional options please consult your Liteline representative. Due to our continued efforts to improve our products, product specifications are subject to change without notice.

Ordering Guide



RTM502-BK
Black stepped baffle with white trim ring.



RTM502-WH
White stepped baffle with white trim ring.