



50W MR16 Medium Base Halogen Lamp

PROJECT
FIXTURE TYPE
MODEL
LAMP
CONTACT/TELEPHONE

Product No. *LMP16E26AC-50-BX*

Description

An MR16 line voltage multi-faceted reflector halogen lamp, with clear cover. For use in track or recessed fixtures.

General Characteristics

Lamp Type	<i>Line Voltage Halogen</i>
Bulb Size	<i>MR16</i>
Base	<i>Medium base (E26)</i>
Wattage	<i>50W</i>
Voltage	<i>120V AC</i>
Rated Life	<i>2,000 hours</i>
Reflector	<i>Aluminum</i>

Operating Characteristics

Approx. Initial Lumens	<i>NA</i>
Approx. Mean Lumens	<i>500</i>
Colour Temperature	<i>2800K</i>
Colour Rendering Index. (CRI)	<i>99</i>
Beam Spread	<i>36°</i>
Dimmable	<i>Dimmable</i>

Dimensions

Maximum Overall Length (MOL)	<i>2.13" (54.00mm)</i>
Bulb Diameter (DIA)	<i>2.00" (50.80mm)</i>

Applications:

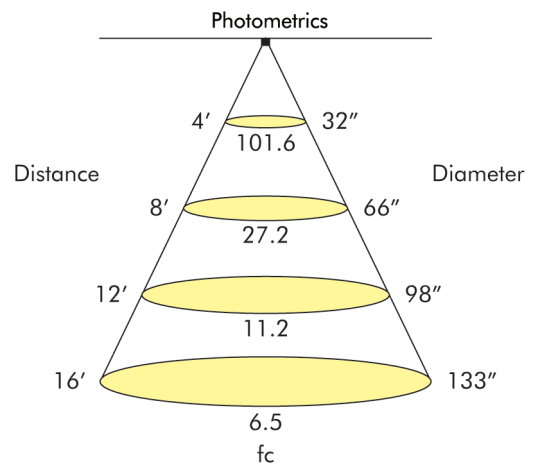
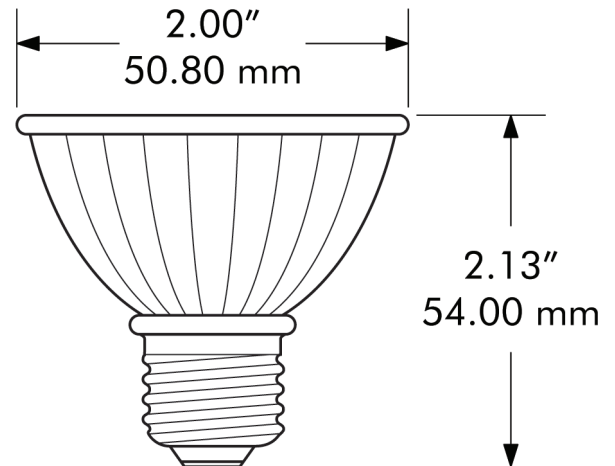
- Retail store display
- Focus lighting
- Recessed

⚠ Caution

- Lamp may shatter and cause injury if broken
- Do not use excessive force when installing lamp.
- Use only on dry location.

⚠ Warning

- Risk of Electric Shock
- Turn power off before inspection, installation or removal.



LITELINE CORPORATION

8 Abacus Road, Brampton, Ontario, Canada L6T 5B7
 Tel: 416-996-1856 • Fax: 905-794-1990 / 1-888-738-9736
 Email: sales@liteline.com • Website: liteline.com

Product specifications subject to change without notice.