



**4-INCH
RECESSED FOR
NEW CONSTRUCTION**

Line Voltage

HV4-HR01-NC



PROJECT

FIXTURE TYPE

MODEL

LAMP

CONTACT/TELEPHONE

Specifications

Description

Four-inch line voltage housing for use in new construction applications.

Lamp Wattage / Type

- Maximum 50W / MR16 E26, PAR20, PAR30 or R20/R30

Features

- Thermally protected to prevent over heating.
- For use with Liteline medium base lamps.
- Hanger bars are for use with T-bars or can be connected directly to the wood joist.
- Fits up to 24" joist construction / T-bar.
- Not for use in insulated ceilings.
- cUL listed for damp locations.

Housing

Pre-painted steel to protect against corrosion.

Electrical

Approved for through-circuit wiring (2 in and 2 out) which allows for wiring housings in sequence. 120V Input.

Trims

Complete selection of trims offering different lighting effects. See Illustrative List Price and/or Colour Catalogue for various trim selections.

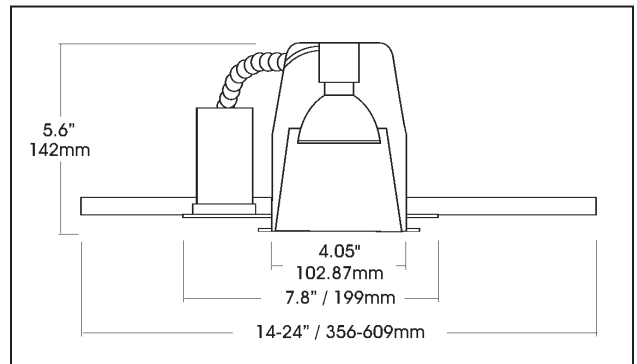
Dimensions & Ordering Guide

Model

HV4-HR01-NC

Description

- 4" New Construction Housing
- Pre Drywall • Thermally Protected
- For use with maximum 50W / MR16 E26, PAR20, PAR30, or R20/R30



All dimensions are in inches and millimeters

Listings



LITELINE CORPORATION

8 Abacus Road, Brampton, Ontario, Canada L6T 5B7
 Tel: 416-996-1856 • Fax: 905-794-1990 / 1-888-738-9736
 E-mail: sales@liteline.com • Website: www.liteline.com

Product specifications subject to change without notice.