

# RTM5013

5" Adjustable Metal Gimbal  
For PAR30 Lamps

Job Information		
Project Name		Type
Location		
Quantity		Date
Contact/Phone		
Notes		

## Features

### Trim

Constructed of precision spun 0.040" steel.

### Lamp Holder

Designed to accommodate PAR30 short neck lamps and provide tilting up to 35° and 360° rotation for directional accent lighting.

### Mounting

Two butterfly retention springs.

### Lamps

- PAR30, 120V, IC – 50W max, non-IC – 75W max.

### Labels

cULus listed.

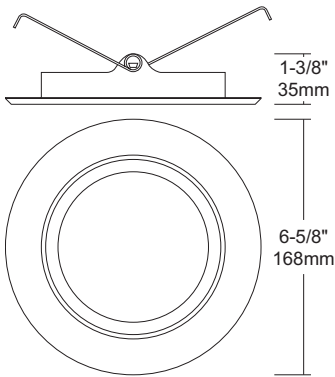


## Description

The RTM5013 is an adjustable flush metal gimbal designed for our RF5 series housing with PAR30 short neck lamps. The RTM5013 is perfect for directional accent lighting as the inner gimbal tilts up to 35° and has a 360° rotation. The RTM5013 can also be used for general lighting when flush with ceiling.



**Notes:** Accessories should be ordered separately. For additional options please consult your Liteline representative. Due to our continued efforts to improve our products, product specifications are subject to change without notice.



## Ordering Guide



**RTM5013-BN**  
Brushed Nickel adjustable gimbal.



**RTM5013-WH**  
White adjustable gimbal.