

OSL-LVR3

3-Gang Horizontal Louver Faceplate
Recessed Lighting

| Job Information | | |
|-----------------|--|------|
| Project Name | | Type |
| Location | | |
| Quantity | | Date |
| Contact/Phone | | |
| Notes | | |

Features

Body Construction

Powder-coated or electroplated cast aluminum with horizontal louver center. Available in black, brushed nickel or flat white corrosion resistant paint.

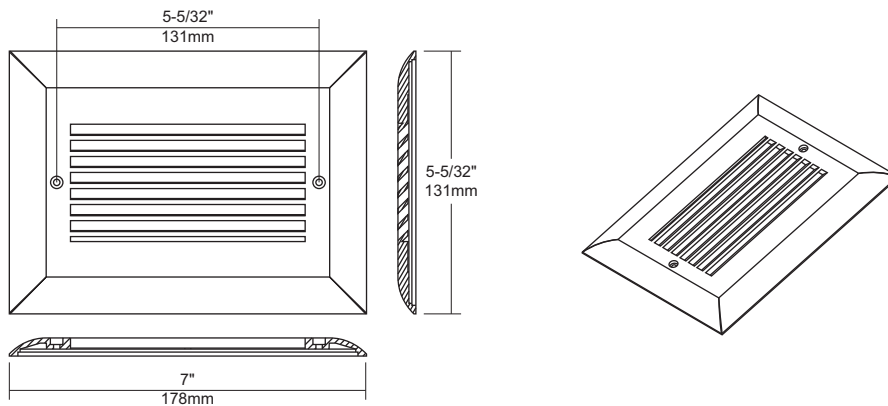
Mounting

Mounts onto 3-gang outdoor LED step light (OSL3030 – sold separately) with two colour matching screws (included).



Description

This horizontal louver faceplate is used in conjunction with 3-gang outdoor LED step light. It directs all light downwards, casting a low, even spread of light, and adding discreet lighting to decks or outdoor steps.



Notes: Accessories should be ordered separately. For additional options please consult your Liteline representative. Due to our continued efforts to improve our products, product specifications are subject to change without notice.

Ordering Guide



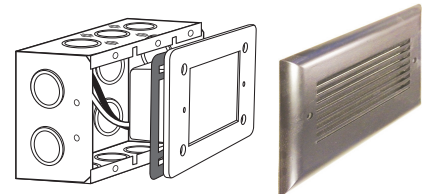
OSL-LVR3-BK
Black horizontal louver faceplate for 3-gang outdoor LED step light.



OSL-LVR3-BN
Brushed nickel horizontal louver faceplate for 3-gang outdoor LED step light.



OSL-LVR3-FWH
Flat white horizontal louver faceplate for 3-gang outdoor LED step light.



(LED fixture sold separately)

