

ATF7509

8.5W LED Track Head
Track Lighting

Job Information		
Project Name		Type
Location		
Quantity		Date
Contact/Phone		
Notes		

Features

Body

Constructed of aluminum, the body features an aesthetically pleasing smooth cylindrical shape. The body included a colour matching aluminum heat sink in order to provide maximum heat dissipation.

Beam Spread

The fixture is available in 38° beam angle.

Dimming

The integrated driver is 100-0% dimmable when used with TRIAC / ELV dimming controls (Consult factory for compatible dimmers).

Adjustability

Adjustable up to 90° tilt and 330° rotation to allow for spotlight into multiple directions.

LED Characteristics

High powered 8.5W CREE® CXA1507 LED array maintains uniform intensity with a typical luminous flux up to 680 lumens, making it a suitable replacement for 50W PAR20 halogen lamps; with a CRI of 80. Available in 3000°K and 4000°K correlated colour temperature.

Compatibility

Fixture is provided with A-Line connector which is compatible with Juno style track. For other connector configuration (Halo), please contact your A-Line representative.

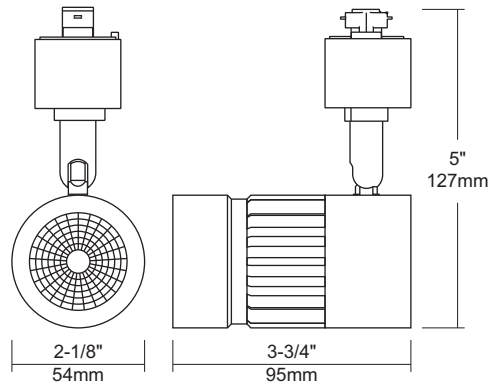
SPECIFICATION

Application	Track
Approved Location	Dry / Indoor
Beam Angle	38°
CCT	3000°K / 4000°K
Certification	cETLus
Colour	BK / SL / WH
CRI	80
Dimming	Yes
Dimming Tech	TRIAC, ELV
Energy Star®	Yes
LM79	Yes
Lumens	680
Lumens per Watt	80
Lumen Maintenance	70% @ 50,000HRS
Primary Voltage	120V AC
Projected Life	35,000 HRS
Rotation	330°
Tilt	90°
Warranty	3 Years
Wattage	8.5W



Description

The ATF7509 is a 8.5W high powered, Energy Star® approved LED track fixture specially designed for task and accent lighting. Available in black and white finishes.



Notes: For additional options please consult your A-Line Lighting representative. Juno is a registered trademark of Juno Lighting Group. Halo is a registered trademark of Cooper Lighting. Due to our continued efforts to improve our products, product specifications are subject to change without notice.

Ordering Guide

Connector Type	ATF7509	Colour Temp.	Beam Spread	Colour/Finish
Blank : A-Line or Juno H : Halo		30 : 3000°K 40 : 4000°K	38 : 38°	BK : Black SL : Silver WH : White

Example: ATF7509-3038-WH

* Juno is a registered trademark of Juno Lighting Group. Halo is a registered trademark of Cooper Lighting.

Photometry

ATF7509-3038 : 8.5W, LED Track, 3000°K, 38° Beam Angle

Zonal Lumen Summary

Zone	Lumens	% Luminaire
0-30	522.9	77.6%
0-40	602.0	89.4%
0-60	654.7	97.2%
60-90	17.5	2.6%
70-100	6.8	1%
90-120	0.2	0%
0-90	672.2	99.8%
90-180	1.2	0.2%
0-180	673.4	100%

