

RA35-12G

LUNA™ LED

3.5" LUNA™ LED Round Gimbal Recessed Fixture Recess Lighting

| Job Information | | |
|-----------------|--|------|
| Project Name | | Type |
| Location | | |
| Quantity | | Date |
| Contact/Phone | | |
| Notes | | |

Features

Body

Durable airtight aluminum body with adjustable gimbal. Includes anodized blue heat sink to provide maximum airflow for the LED light source.

LED Characteristics

This general application light fixture features a 12 watt LED module that maintains uniform intensity producing up to 950 lumens; with a typical CRI of 90. Available in 2700 K, 3000 K, 3500 K, 4000 K or 5000 K colour temperature.

Dimming

100%-10% dimming capability. This fixture is compatible with industry standard TRIAC/ELV dimmers. For compatible dimmers, visit www.liteline.com/lunadimmers

Beam Spread

The fixture lens provides 40° beam spread.

Mounting

Includes two spring loaded clips to attached to any ceiling material.

LED Driver

Extruded aluminum hardwire box with 300mA dimmable class II electronic LED driver with 100-135V AC input. Includes an 18" FT6 rated cable with DC 2.1 connector between driver and fixture approved for use in plenums and suspended ceilings.

Quick Connect push-in terminals

Three "Quick connect" push-in terminals for fast and easy wiring.

Operating Temperature

-20°C~40°C (-4°F~104°F)

Environment

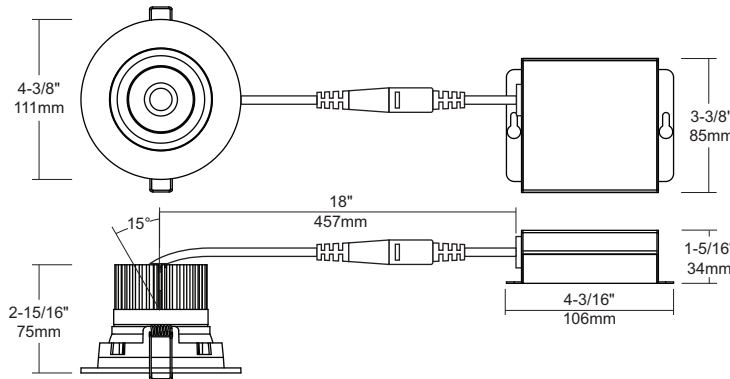
- Suitable for damp locations.
- Approved for direct contact with insulation.

| SPECIFICATION | |
|-------------------|--|
| Application | Ceiling Recess Mount |
| Approved Location | Damp / Insulated Ceilings |
| Beam Angle | 40° |
| CCT | 2700 K / 3000 K / 3500 K / 4000 K / 5000 K |
| Certification | cETLus |
| Class II | Yes |
| Colour | BK / BN / SL / WH |
| CRI | 90 |
| Dimming | Yes |
| Dimming Tech | TRIAC/ELV |
| Energy Star | Yes |
| Hole Cut | Ø 3 3/8" (92mm) |
| Input | 100-135V AC, 60Hz |
| LM79 | Yes |
| LM80 | Yes |
| Lumens | 870 / 890 / 910 / 930 / 950 |
| Lumens per Watt | 74 / 76 / 78 / 79 / 81 |
| Power Factor | >0.90 |
| Projected Life | 70% @ 50,000 hrs |
| Warranty | Lifetime |
| Wattage | 12W |



Description

The RA35-12G is a 12 watt 3.5" round gimbal recessed light fixture for retrofit application. It is a high-performance, easy to install residential grade downlight solution that offers good light output, energy-efficiency and streamlined design. Suitable for damp locations.



TITLE 24



Notes: Accessories are sold separately. For additional options please consult your Liteline representative. Due to our continued efforts to improve our products, product specifications are subject to change without notice.

Ordering Guide

| | | | |
|------------|--|---|--|
| RA35-12G - | Colour Temperature | - | Trim Finish |
| | <input type="text"/> - 90 27K : 2700 K* 30K : 3000 K 35K : 3500 K 40K : 4000 K 50K : 5000 K | | <input type="text"/> BK : Black BN : Brushed Nickel SL : Silver WH : White |

* Title 24 is currently only available with 2700K CCT.

Accessories



SLM-60-FC

60" Flexible connector, for use with SlimLED fixtures.



P-3520

3 $\frac{3}{8}$ " Round pre-mounting plate with driver attachment clip, for 3 $\frac{1}{2}$ " LUNA LED fixtures.



P-NCMK-1

New construction mounting kit. Includes hanger bars, brackets and screws.



VBE-1

Vapour barrier extender. For use in new construction applications.



VBE-2

Vapour barrier extender. For use in remodel applications.



VBE-3

Vapour barrier extender. For use in remodel applications.



VBE-4

Vapour barrier extender. For use in remodel applications.