

GE
Intelligent Platforms

QuickPanel View



imagination at work

Open and Connected

You deserve to know how well your manufacturing is running. Our Operator Interface Solutions make sure you do it better.

The QuickPanel* View Family

The QuickPanel View bundled visualization solution provides the tools required for today's application needs with a combination of bright touch screen displays, multiple communications options, and Proficy* View – Machine Edition software.



Information Delivery

Acting as the bridge between the enterprise system and the plant floor, QuickPanel View provides information, not just data, that the operators need to run the machines, and that management needs to run their business. The QuickPanel View is a critical link to a well-integrated manufacturing operation.

- Built on Microsoft Windows CE operating system
- Built-in web server accesses data and panels using any standard browser

Scalable

As your information requirements grow, so will your hardware needs. QuickPanel View products are exceedingly scalable to grow with your needs.

- Broad range of display sizes from 6" to 15"
- Choice of Monochrome, Color-STN, or Color-TFT display
- Expandable memory and communications options
- Easy configuration allows you to run the same program on different size models

Seamless Connectivity

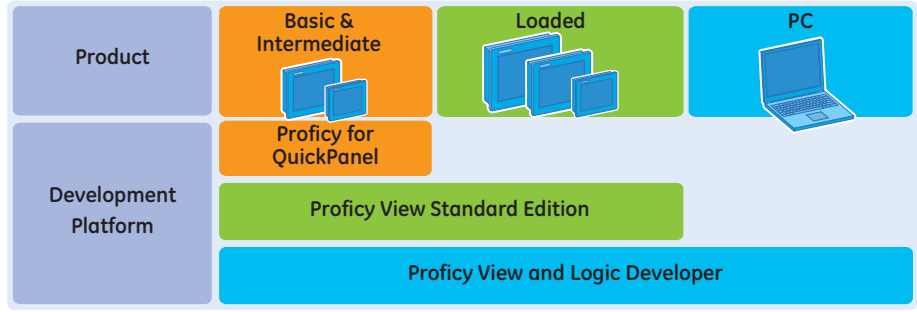
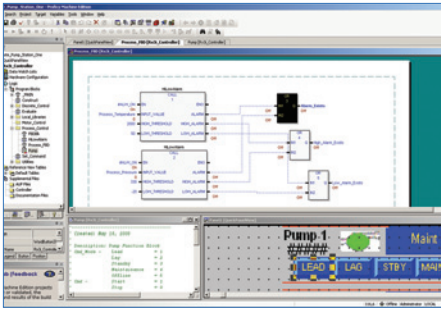
As your need to monitor and collect data grows, you may need to connect to a wide variety of devices. Unless your operator interface has seamless connectivity, you may face delays and headaches. That is why QuickPanel View comes standard with a large number of built-in drivers to connect with the world of automation devices, making it easy to connect to anything.

- Communication drivers over serial and Ethernet
- Communication over fieldbus and vendor specific networks through the addition of a communication expansion card

Other Advantages

We invite you to explore the advantages of QuickPanel View.

- Cost-effective replacement for push buttons and pilot lights
- Data collection, trending, system security and other functions
- Multi-language support
- Migration of applications developed with QuickDesigner*
- Adherence to global standards UL, ATEX, CE



Proficy* Machine Edition

GE's Proficy View – Machine Edition is an automation software breakthrough for HMI programming in an integrated development environment. The intuitive and comprehensive interface speeds development and reduces costs.

Design Full-Featured Machine-Level Graphics

Proficy Machine Edition includes an intuitive machine level HMI called Proficy View. Specifically designed to address the needs of machine-level operator interface and HMI requirements, it boasts an all-inclusive graphics configuration tool that allows you to place objects within the common object repository – the Toolchest. The graphics tool represents shop floor devices such as PLCs, CNCs, motion controllers, marquees, serial devices, and other machine-level components allowing the user to re-use objects so it is easy for you to develop exactly what you need.

Connect to Anything

Your operator interface hardware should not be closed and unfriendly. Proficy View includes a wide range of PLC/device drivers

and OPC client/server support, and provides remote connectivity and thin client support for diagnostic and data monitoring. Applications can be developed for QuickPanel, QuickPanel View (Windows CE), and Windows 2000/XP based systems. View supports communication protocols for all major PLCs and includes OPC client and server drivers. It also lets you publish your data and graphical panels over the web to a standard browser.

Make Life Easier

In addition to sharing common development tools, all Proficy Machine Edition components, View, Logic Developer, and Motion Developer, share a common database and common objects across

applications, including logic, scripts, and animation. Once a variable is created, it can easily be used in all other components of the project. Using one programming package instead of many reduces difficult integration and reduces the learning curve.

Building your application on industry standards will also simplify your programming. Combining the best of traditional programming and graphics applications with such powerful open industry-standard technologies as COM/DCOM, ActiveX, OPC, and XML, Proficy Machine Edition provides a smooth migration path to the latest development tools.



QuickPanel View



Loaded QuickPanel View

TYPICAL APPLICATIONS

Medium to large applications where communication to multiple devices from different vendors is required. Applications using Programmable Automation Controllers, many I/O, where you need integrated control.

FEATURES

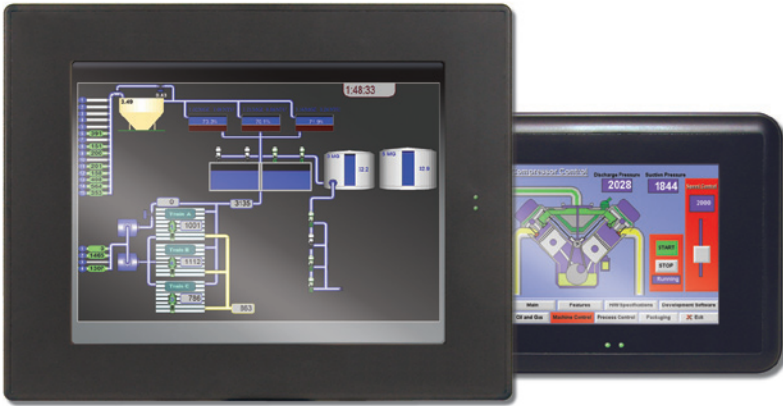
- Connectivity: Serial, Ethernet and Fieldbus networks
- View and VB Scripting
- Compact Flash
- Document Viewers (doc, xls, pdf)
- Historian Collector
- Web Publishing
- View and Integrated Control

AVAILABLE SIZES

- 15" TFT-Color
- 12" TFT-Color
- 8" TFT-Color
- 6" TFT-Color
- 6" Mono

| Display | IC754V'L06MTD | IC754V'L06CTD | IC754V'F08CTD | IC754V'F12CTD | IC754V'F15CTD |
|------------------------------|---|--|---|--|-------------------|
| Type | 6" Mono | 6" Color-TFT | 8" Color-TFT | 12" Color-TFT | 15" Color-TFT |
| Resolution | 320 x 240 pixels | | 800 x 600 pixels | | 1024 x 768 pixels |
| Size | 5.7" (Diagonal) | | 8.5" (Diagonal) | 12.1" (Diagonal) | 15.1" (Diagonal) |
| Memory | | | | | |
| Flash | 32 MB | | 64 MB | | |
| DRAM | 32 MB | | 64 MB | | |
| Expandable | To 64 MB or 96 MB | | To 96 MB or 128 MB | | |
| Communications | | | | | |
| Serial: Com #1 | RS232/RS485 | | | | |
| Serial: Com #2 | RS232 | | | | |
| Ethernet LAN #1 | 10/100 Mbps | | | | |
| Ethernet LAN #2 | None | | | 10/100 Mbps | |
| Comm. Expansion (View) | GE Genius, Data Highway Plus, DeviceNet Slave, and PROFIBUS Slave | | | | |
| USB | V1.1 Compatible | | | | |
| CompactFlash | One, Type 2 | | | | |
| Environmental | | | | | |
| Operating Temperature | -10 to 60 Deg C (14 to 140 Deg F) | 0 to 60 Deg C (32 to 140 Deg F) | | 0 to 50 Deg C (32 to 122 Deg F) | |
| Agencies | UL - Class 1 Div 2 (A, B, C, D), ATEX - Class 1 Zone 2, CE Mark | | | | |
| Environmental | NEMA 4/4x | | | | |
| Panel Cut-Out (W x H x D) | 6.14" x 4.86" x 2.76" 158 mm x 126 mm x 70 mm | 8.93" x 7.34" x 3.03" 228 mm x 186 mm x 77 mm | 11.88" x 8.96" x 2.37" 302 mm x 228 mm x 60 mm | 14.93" x 12.03" x 2.78" 379 mm x 305 mm x 71 mm | |
| Power Requirements | 12.0 to 30.0 VDC 24 Watts | 12.0 to 30.0 VDC 24 Watts | 12 VDC @ +/- 20% or 24 VDC @ +/- 20% 48 Watts | | |

† S = Standard overlay, B = Blank overlay, G = GE overlay, K = Kit



Intermediate QuickPanel View

TYPICAL APPLICATIONS

Medium sized applications communicating to multiple devices. Applications using Programmable Automation Controllers or Programmable Logic Controllers.

FEATURES

- Connectivity: Serial, Ethernet and Fieldbus networks
- View and VB Scripting
- Compact Flash Card
- Historian Collector
- Expandable Memory
- Web Publishing

AVAILABLE SIZES

- 12" TFT-Color
- 12" Mono
- 8" TFT-Color
- 6" STN-Color
- 6" Mono

| | IC754V'I06MTD | IC754V'I06STD | IC754V'I08CTD | IC754V'I12MTD | IC754V'I12CTD |
|--------------------------------------|---|------------------------------------|--|------------------------------------|---|
| Display | | | | | |
| Type | 6" Mono | 6" Color-STN | 8" Color-TFT | 12" Mono | 12" Color-TFT |
| Resolution | 320 x 240 pixels | | 800 x 600 pixels | | |
| Size | 5.7" (Diagonal) | | 8.5" (Diagonal) | 12.1" (Diagonal) | |
| Memory | | | | | |
| Flash | 32 MB | | | | |
| DRAM | 32 MB | | | | |
| Expandable | To 64 MB or 96 MB | | | | |
| Communications | | | | | |
| Serial: Com #1 | RS232/RS485 | | | | |
| Serial: Com #2 | None | | | | |
| Ethernet LAN #1 | 10/100 Mbps | | | | |
| Ethernet LAN #2 | None | | | | |
| Comm. Expansion (View) | GE Genius, Data Highway Plus, DeviceNet Slave, and PROFIBUS Slave | | | | |
| USB | None | | | | |
| CompactFlash | One, Type 2 | | | | |
| Environmental | | | | | |
| Operating Temperature | -10 to 60 Deg C (14 to 140 Deg F) | 0 to 60 Deg C (32 to 140 Deg F) | | 0 to 50 Deg C (32 to 122 Deg F) | |
| Agencies | UL - Class 1 Div 2 (A, B, C, D), ATEX - Class 1 Zone 2, CE Mark | | | | |
| Environmental | NEMA 4/4x | | | | |
| Panel Cut-Out (W x H x D) | 6.14" x 4.86" x 2.76" 158 mm x 126 mm x 70 mm | | 8.93" x 7.34" x 3.03" 228 mm x 186 mm x 77 mm | | 11.88" x 8.96" x 2.37" 302 mm x 228 mm x 60 mm |
| Power Requirements | 12.0 to 30.0 VDC 24 Watts | | 12.0 to 30.0 VDC 24 Watts | | 12 VDC @ +/- 20% or 24 VDC @ +/- 20% 48 Watts |



Basic QuickPanel View

TYPICAL APPLICATIONS

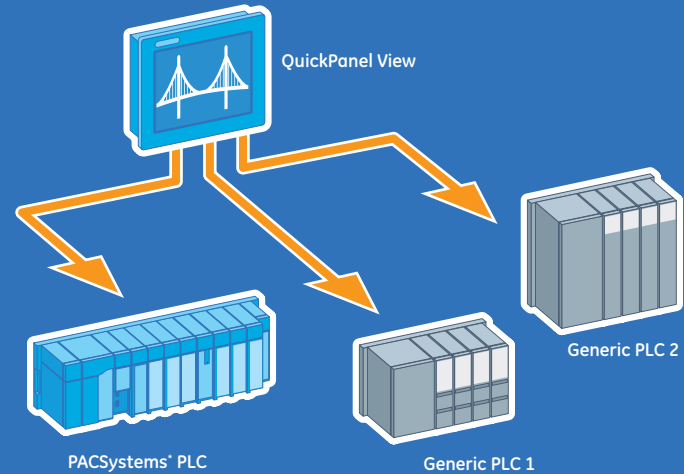
Ideal for small applications. Using point-to-point serial connectivity. QuickDesigner applications.

FEATURES

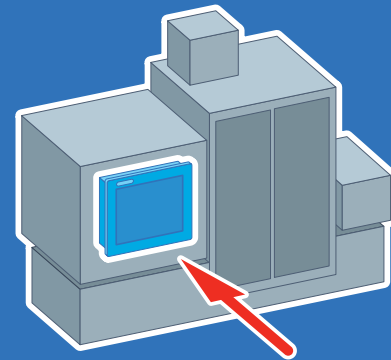
- Serial Interface to PLC
- View Scripting
- View Functionality

| | IC754V'B06MTD | IC754V'B06CTD |
|------------------------------|--|--|
| Display | | |
| Type | 6" Mono | 6" Color-TFT |
| Resolution | 320 x 240 pixels | 320 x 240 pixels |
| Size | 5.7" (Diagonal) | 5.7" (Diagonal) |
| Memory | | |
| Flash | 16 MB | 16 MB |
| DRAM | 16 MB | 16 MB |
| Expandable | No | No |
| Communications | | |
| Serial: Com #1 | RS232/RS485 | RS232/RS485 |
| Serial: Com #2 | None | None |
| Ethernet LAN #1 | Download Only | Download Only |
| Ethernet LAN #2 | None | None |
| Comm. Expansion (View) | None | None |
| USB | None | None |
| CompactFlash | None | None |
| Environmental | | |
| Operating Temperature | -10 to 60 Deg C (14 to 140 Deg F) | -10 to 60 Deg C (14 to 140 Deg F) |
| Agencies | UL - Class 1 Div 2 (A, B, C, D), ATEX - Class 1 Zone 2, CE Mark | UL - Class 1 Div 2 (A, B, C, D), ATEX - Class 1 Zone 2, CE Mark |
| Environmental | NEMA 4/4x | NEMA 4/4x |
| Panel Cut-Out (W x H x D) | 6.14" x 4.86" x 2.03" 158 mm x 126 mm x 52 mm | 6.14" x 4.86" x 2.03" 158 mm x 126 mm x 52 mm |
| Power Requirements | 12.0 to 30.0 VDC 9 Watts | 12.0 to 30.0 VDC 9 Watts |

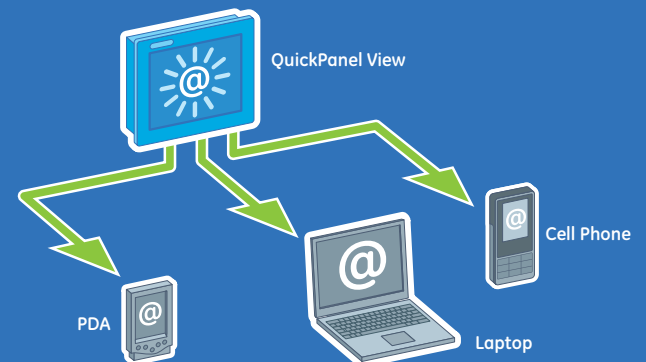
Manage and monitor the process—your way.



Build a bridge to all your hardware

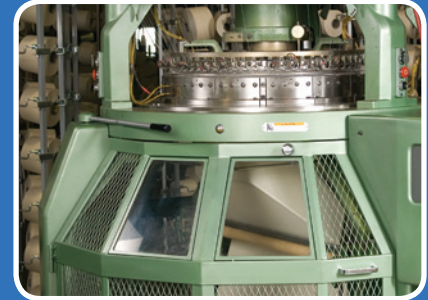
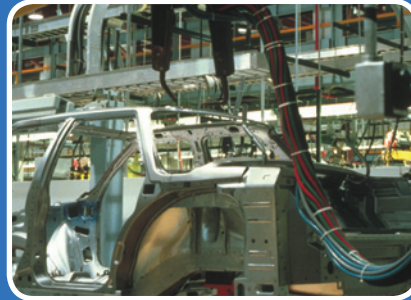


Make recipe changes at your machine



Receive alarms, updates and files via email

Current QuickPanel View Drivers Always Keep You Connected



Nobody likes to be told that they cannot do something. That is why we believe in open communications. QuickPanel View can connect with most any plant-floor device. With built-in drivers, it is simple, quick, and always open.

Every manufacturing environment is different. You cannot count on being able to connect your operator interface in the same way every time. Hardware needs change, systems grow, and you do not want to be limited by a proprietary system that only accepts certain protocols.

Open communication means:

- You simply add a driver to the project when adding new hardware.
- You create a Tag Variable once, instead of twice like some other Operator Interfaces.
- Consistency in configuration from driver to driver
- Access to in-depth diagnostics for troubleshooting

| CONTROLLER VENDOR | COMMUNICATION MEDIUM | PROTOCOL |
|--------------------------|----------------------|--|
| Allen-Bradley | Serial | DF1, DH485 |
| | Network | DH+(Requires IC754ABD001) |
| | Ethernet | ControlLogix Ethernet/IP, TCP/IP |
| Automation Direct | Serial | DirectNET, EBC |
| | Ethernet | ECOM |
| Cutler-Hammer | Serial | Cutler-Hammer |
| Fieldbus | DeviceNet – Slave | Requires IC754DVNS01 |
| | PROFIBUS – Slave | Requires IC754PBSS01 |
| GE | Serial | CCM, SNP, SNP-X |
| | Ethernet | SRTP, EGD |
| | Network | Genius (Requires IC754GEN001) |
| Honeywell | Ethernet | HC900 |
| Mitsubishi | Serial | Serial, FX |
| | Ethernet | Ethernet, FX Net |
| Group Schneider | Serial | Uni-Telway, Square D, Modbus ASCII, Modbus RTU (Solicited and Unsolicited) |
| | Ethernet | Modbus TCP/IP (Solicited and Unsolicited) |
| Omron | Serial | Host Link, Process Suite, FINS |
| | Ethernet | FINS |
| Siemens | Serial | S7 PPI, S7 MPI, Simatic 505 |
| | Ethernet | Simatic 505, TCP/IP (Solicited and Unsolicited) |
| SIXNET | Ethernet | EtherTRAK |
| User Configurable Driver | | User Configurable Driver |
| Yaskawa | Serial | MP |
| | Ethernet | MP |
| Yokogawa | Serial | DX |
| | Ethernet | DX |

Cables and Accessories

| PLC MANUFACTURER | PLC TYPE | PART NUMBER | DESCRIPTION |
|---------------------------|-----------------------------|--------------------------------------|--|
| Allen-Bradley | SLC500, 5/01, 5/02, 5/03 | HMI-CAB-C83 | 8-pin RJ-45 Male, RS-422, No simultaneous connection to program port |
| | | HMI-CAB-C84 | 8-pin RJ-45 Male, RS-422, with simultaneous connection to program port |
| | SLC5/03, 5/04, ControlLogix | HMI-CAB-C52 | 9-pin Female, RS-232 |
| | PLC-5 | HMI-CAB-C51 | 25-pin Female, RS-232 |
| | | HMI-CAB-C53 | 25-pin Male, RS-232 |
| | MicroLogix | HMI-CAB-C106 | 8-pin Circular DIN, RS-232 |
| Data Highway Plus | IC754ABD001 | Data Highway Plus Communication Card | |
| Automation Direct | DL205 and DL305 | HMI-CAB-C86 | 6-pin Male, RJ-11, RS-232 |
| | DL305 and DL405 | HMI-CAB-C53 | 25-pin Male, RS-232 |
| Fieldbus | DeviceNet | IC754DVNS01 | DeviceNet Slave Communication Card |
| | PROFIBUS | IC754PBSS01 | PROFIBUS Slave Communication Card |
| GE | Series 90' CMM Module | HMI-CAB-C53 | 25-pin Male, RS-232 |
| | | HMI-CAB-C93 | 25-pin Male, RS-422 |
| | Series 90-30 and 90-70 | HMI-CAB-C82 | 15-pin Male, RS-422 |
| | Series 90-30 | HMI-CAB-C120 | 6-pin Male RJ-11, RS-232 |
| | VersaMax' CPUs | HMI-CAB-C111 | 9-pin Male, RS-232 |
| | VersaMax Nano/Micro | HMI-CAB-C119 | 8-pin Male RJ-45, RS-232 |
| Genius' | IC754GEN001 | GE Genius Communication Card | |
| Mitsubishi | Series A | HMI-CAB-C53 | 25-pin Male, RS-232 |
| | | HMI-CAB-C88 | 9-pin Male, RS-232 |
| | Series FX | HMI-CAB-C91 | 25-pin Male, RS-422 |
| Omron | C200H | HMI-CAB-C53 | 25-pin Male, RS-232 |
| | CP1H, CPM2, CJ1, CS1 | HMI-CAB-C67 | 9-pin Male, RS-232 |
| Siemens | 500 Series | HMI-CAB-C53 | 25-pin Male, RS-232 |
| | TI545-1102 | HMI-CAB-C100 | 9-pin Female, RS-422 |
| | 305 and 405 | HMI-CAB-C53 | 25-pin Male, RS-232 |
| | S7-200 PPI | HMI-CAB-C110 | 9-pin Male, RS-422 |
| Square D SY/MAX | Model 100 and greater | HMI-CAB-C94 | 9-pin Male, RS-422 |
| Telemecanique/ Modicon | 984, A, B, X | HMI-CAB-C53 | 25-pin Male, RS-232 |
| | 984 Slot and Compact | HMI-CAB-C58 | 9-pin Male, RS-232 |
| | 984 Micro | HMI-CAB-C102 | 8-pin Male RJ-45, RS-232 |
| | TSX Micro | HMI-CAB-C116 | 8-pin Male, RS-422 |

| PART NUMBER | DESCRIPTION |
|-----------------|--|
| IC754PCMCIA001 | PCMCIA Adaptor for QuickPanel View and Control |
| IC754ACC32MEM | Expansion Memory 32 Mbytes |
| IC754ACC64MEM | Expansion Memory 64 Mbytes |
| IC754ACC06GAS | Gasket for 6 Inch QuickPanel View and Control |
| IC754ACC08GAS | Gasket for 8 Inch QuickPanel View and Control |
| IC754ACC12GAS | Gasket for 12 Inch QuickPanel View and Control |
| IC754ACC15GAS | Gasket for 15 Inch QuickPanel View and Control |
| IC754ACC06MNT | Mounting Clips and Power Connector for 6 Inch QuickPanel View and Control |
| IC754ACC08MNT | Mounting Clips and Power Connector for 8 Inch QuickPanel View and Control |
| IC754ACC12MNT | Mounting Clips and Power Connector for 12 Inch QuickPanel View and Control |
| IC754ACC15MNT | Mounting Clips and Power Connector for 15 Inch QuickPanel View and Control |
| IC754ACC06BEZ01 | Stainless Steel Bezel for 6 Inch STN-Color QuickPanel View |
| IC754ACC12BEZ01 | Stainless Steel Bezel for 12 Inch TFT-Color QuickPanel View and Control |
| IC754ACC12ADP | Adaptor Kit for 12 Inch QuickPanel View and Control into CEIIX Cutout |

GE Intelligent Platforms Contact Information

Americas: **1 800 433 2682** or **1 434 978 5100**

Global regional phone numbers are listed by location on our web site at www.ge-ip.com/contact

www.ge-ip.com

