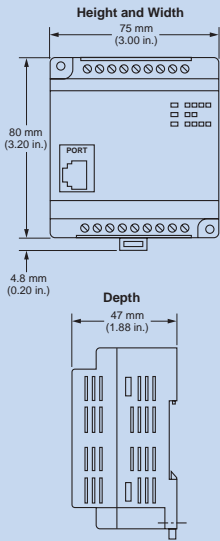
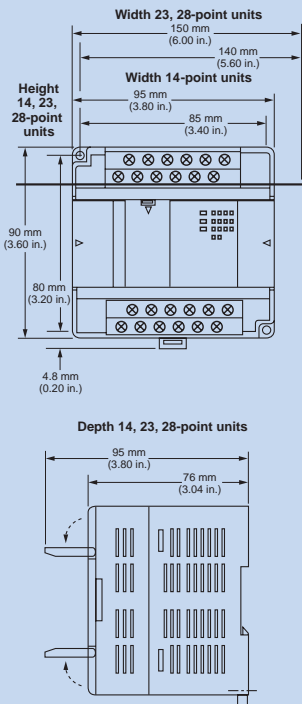


## Panel Mounting Dimensions

### Dimensions of Nano PLCs



### Dimensions of 14, 23, and 28-Point Micro PLCs and 14-Point Expansion Units



## VersaMax Micro and Nano Components

Part Number	Description
<b>Nano (10 Point) non expandable</b>	
IC200NDD101	10 point (6) 24 VDC In, (4) 24 VDC Out, 24 VDC Power Supply
IC200NDR001	10 point (6) 24 VDC In, (4) Relay Out, 24 VDC Power Supply
<b>VersaMax Micro (14 Point) expandable up to 4 units</b>	
IC200UAA003	14 point (8) 120 VAC In, (6) 120 VAC Out, 120/240 VAC Power Supply
IC200UDD104	14 point (8) 24 VDC In, (6) 24 VDC Out, 2 1.0 A, 4 0.5A, 24 VDC Power Supply
IC200UDR001	14 point (8) 24 VDC In, (6) Relay Out, 120/240 VAC Power Supply
IC200UDR002	14 point (8) 24 VDC In, (6) Relay Out, 24 VDC Power Supply
<b>VersaMax Micro (28 Point) expandable up to 4 units</b>	
IC200UDR005	28 point: (16) 24 VDC In, (11) Relay Out, (1) 24 VDC Out, 120/240 VAC Power Supply. Battery (IC200ACC403) is required for long term data retention. Battery not included.
IC200UDR010	28 point: (16) 24 VDC In, (11) Relay Out, (1) 24 VDC Out, 24 VDC Power Supply. Battery (IC200ACC403) is required for long term data retention. Battery not included.
IC200UAA007	28 point: (16) 120 VAC In, (12) 120 VAC Out, 120/240 VAC Power Supply. Battery (IC200ACC403) is required for long term data retention. Battery not included.
IC200UDD110	28 point: (16) 24 VDC In, (12) 24 VDC Out 6 1.0 A, 6 0.5A, 24 VDC Power Supply. Battery (IC200ACC403) is required for long term data retention. Battery not included.
<b>VersaMax Micro with Analog expandable up to 4 units</b>	
IC200UAL006	23 point: (13) 24 VDC In, (9) Relay Out, (1) 24 VDC Out, (2) Analog In and (1) Analog Out, 120/240 VAC Power Supply. Battery (IC200ACC403) is required for data retention. Battery not included.
<b>VersaMax Micro Expansion Units (.1 meter cable included)</b>	
IC200UEX011	14 point (8) 24 VDC In, (6) Relay Out, 120/240 VAC Power Supply
IC200UEX012	14 point (8) 24 VDC In, (6) Relay Out, 24 VDC Power Supply
IC200UEX014	14 point (8) 24 VDC In, (6) DC Out, 24 VDC Power Supply
<b>VersaMax Nano and Micro Tool Boxes</b>	
IC200TBX010	Tool box, 10 point, (IC200NDR001) DC In/Relay Out, DC Power Supply With software, manuals and cables (IC640VPS002)
IC200TBX014	Tool box, 14 point, (IC200UDR001) DC In/Relay Out, AC Power Supply With software, manuals and cables (IC640VPS002)
IC200TBX023	Tool box, 23 point, (IC200UAL006) DC In/Relay Out, 2 analog In, 1 analog out, AC Power Supply With software, manuals and cables (IC640VPS002)
IC200TBX028	Tool box, 28 point, (IC200UDR005) DC In/Relay Out, AC Power Supply With software, manuals and cables (IC640VPS002)

Part Number	Description
<b>VersaMax Micro and Nano I/O Expansion/Communication Cables and Converters</b>	
IC200CBL500	Programming cable (RJ-45 to DB-9 pin) RS-232. 3 Meters.
IC690ACC901	RS-485 to RS-232 Converter
IC200ACC415	RS-232 to RS-485 Converter requires IC200CBL500 or equivalent.
IC690ACC903	RS-485 to RS-485 Isolator
IC200CBL501	I/O Expansion cable, 0.1 meter long (Qty 5)
IC200CBL505	I/O Expansion cable, 0.5 meter long
IC200CBL510	I/O Expansion cable, 1 meter long
<b>VersaMax Micro Accessories</b>	
IC200ACC402	Removable Terminal Strips, 10 per pack
IC200ACC403	Battery for 23 and 28 point Micro for data retention
IC200ACC404	Spare parts kit. Two terminal strips and four plastic doors and four covers
IC200KIT001	The kit includes VersaPro (IC640VPS002), CAD files, programming cable, manuals and other tools to aid in the conversion process from Series 90 Micro to VersaMax Micro.
<b>VersaPro Programming Software</b>	
IC641VPS002	VersaPro programming software and documentation for VersaMax Micro and Nano Only. Programming cable not included. CD format
IC640VPS002	VersaPro programming software and documentation for VersaMax Micro and Nano Only. Programming cable (IC200CBL500) included. CD format
<b>VersaMax Data Panel Operator Interfaces</b>	
IC200DTX200	Operator Interface for changing timer/counter/register values. 2 x 16 character LCD backlight display and 6 operation keys. No stored messaging. PLC stores messages. Requires IC200CBL550 cable or equivalent. Operates on 5 VDC @ 100ma from Micro or Nano.
IC200DTX450	Operator Interface with up to 200 stored messages. 2 x 16 character LCD backlight display and 6 function keys. Requires IC200CBL550 cable or equivalent. Operates on external 24 VDC @ 40ma.
IC200DTX650	Operator Interface with up to 200 stored messages. 4 x 16 character LCD backlight display and 8 function keys. Requires IC200CBL550 cable or equivalent. Operates on external 24 VDC @ 80ma.
IC200DTX850	Operator Interface with up to 200 stored messages. 4 x 20 character LCD backlight display, 8 function keys and numeric keypad. Requires IC200CBL550 cable or equivalent. Operates on external 24 VDC @ 50ma.
IC752DDZ000	VersaMax DataPanel programming package with cable.
IC200CBL550	RS232 communications cable (3 meter) between VersaMax Micro or Nano and VersaMax DataPanel operator interface.

Standards: UL Class I Div II, C-UL, CE. Some approvals pending for certain models. Contact GE Fanuc for details.

© Copyright 2000 GE Fanuc Automation North America, Inc. VersaMax, VersaPro, LogicMaster and Series 90 are trademarks of GE Fanuc Automation North America, Inc. Windows and Windows NT are registered trademarks of Microsoft Corporation. All other trademarks and registered trademarks are the property of their respective owners.

For VersaMax Micro and Nano customers purchasing from GE Industrial Systems, please contact:

GE Industrial Systems  
Control Components  
41 Woodford Avenue  
Plainville, CT 06062  
(860) 747-7111

Pre-sale support 1-800 FAST155  
Post-sale support 1-888 GERESOL

<http://www.ge.com/industrialsystems/products/ac/index.shtml>

[www.gefanuc.com](http://www.gefanuc.com)

GE Fanuc Automation



For the location of your nearest GE Fanuc sales representative or authorized distributor contact:

GE Fanuc Automation North America, Inc.  
USA and Canada 1 800 648-2001  
Europe (352) 727979-1  
Asia Pacific 65-566-4918  
Latin America (610) 437-7932  
Mexico 1 800 989-1244