



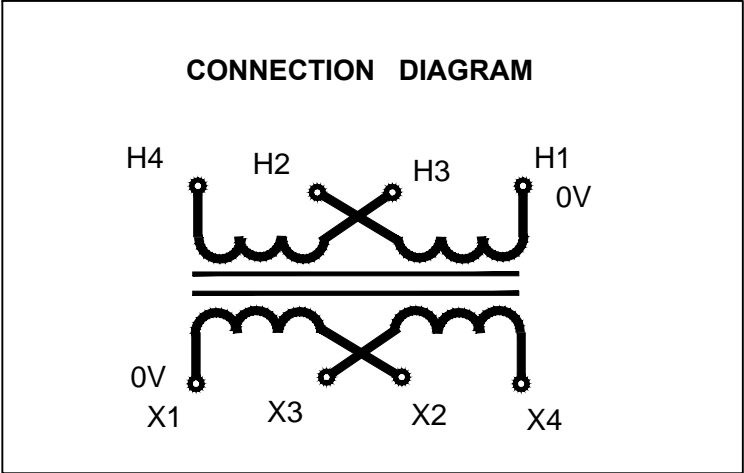
# MARCUS

Marcus Transformer LTD  
 Phone: 1-800-267-7376  
 Fax: 1-866-205-7526  
 Email: Info@marcustransformer.com

## TECHNICAL DATA

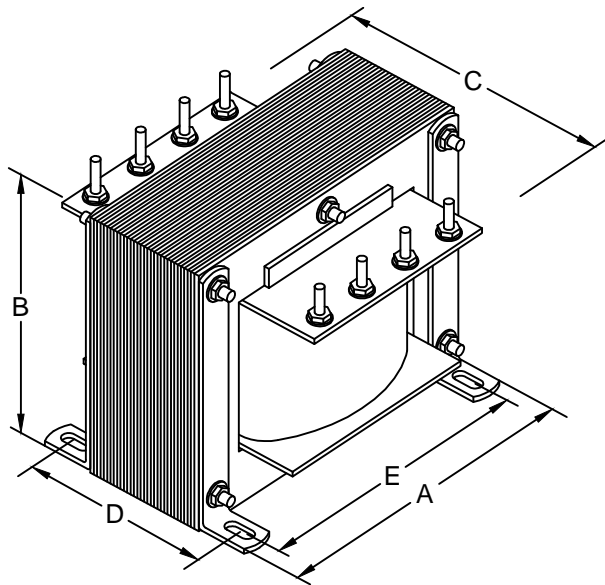
SINGLE PHASE CONTROL TRANSFORMER

DESCRIPTION	
MODEL	MO2KA
Type	Open
VA	2000
Primary (Volts)	120 / 240
Secondary (Volts)	12 / 24
Input Amps	16.67 / 8.33
Output Amps	166.67 / 83.33
Temperature Rise	100°C
Insulation Class	F (155°C)
Frequency	50 / 60Hz
Polarity	additive
Noise level	less than 40DB
Winding	Copper
Approvals	CE compliant UL listed CSA approved



### WIRING CONNECTION

PRIMARY :		
VOLTS	INTERCONNECT:	CONNECT LINES TO :
120	H1-H3 AND H2-H4	H1-H4
240	H2-H3	H1-H4
SECONDARY :		
VOLTS	INTERCONNECT:	CONNECT LINES TO :
12	X1-X3 AND X2-X4	X1-X4
24	X2-X3	X1-X4



### DIMENSIONS INCHES / MM

VA	A	B	C	D	E	MOUNTING HOLES INCHES / MM	SHIP WEIGHT LBS / KG
2000	7.50 190.5	6.25 158.8	7.75 196.9	4.50 114.3	6.75 171.5	0.31 x 0.688 7.9 x 17.5	39.0 17.8

Notes:



# MARCUS

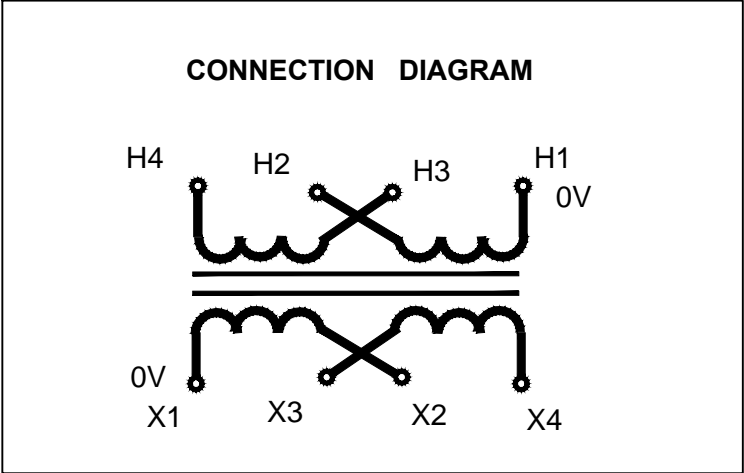
Marcus Transformer LTD  
 Phone: 1-800-267-7376  
 Fax: 1-866-205-7526  
 Email: Info@marcustransformer.com

## TECHNICAL DATA

SINGLE PHASE CONTROL TRANSFORMER

### DESCRIPTION

MODEL	MO2KB
Type	Open
VA	2000
Primary (Volts)	120 / 240
Secondary (Volts)	16 / 32
Input Amps	16.67 / 8.33
Output Amps	125.0 / 62.5
Temperature Rise	100°C
Insulation Class	F (155°C)
Frequency	50 / 60Hz
Polarity	additive
Noise level	less than 40DB
Winding	Copper
Approvals	CE compliant UL listed CSA approved

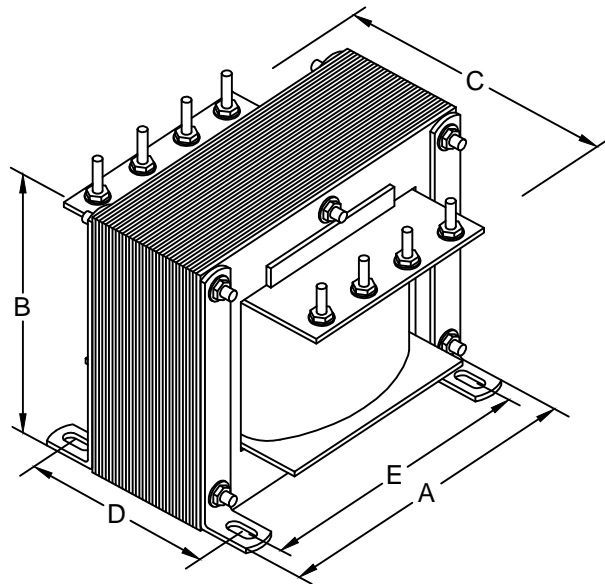


### WIRING CONNECTION

PRIMARY :		
VOLTS	INTERCONNECT:	CONNECT LINES TO :
120	H1-H3 AND H2-H4	H1-H4
240	H2-H3	H1-H4
SECONDARY :		
VOLTS	INTERCONNECT:	CONNECT LINES TO :
16	X1-X3 AND X2-X4	X1-X4
32	X2-X3	X1-X4

### DIMENSIONS INCHES / MM

VA	A	B	C	D	E	MOUNTING HOLES INCHES / MM	SHIP WEIGHT LBS / KG
2000	7.50 190.5	6.25 158.8	7.75 196.9	4.50 114.3	6.75 171.5	0.31 x 0.688 7.9 x 17.5	39.0 17.8



Notes:



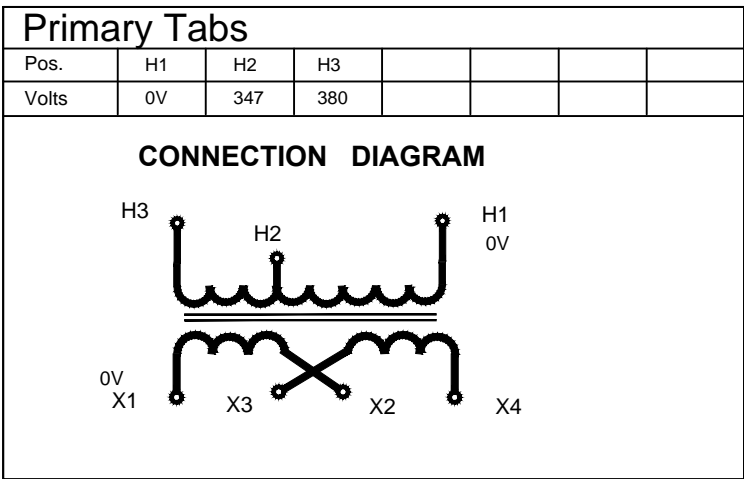
# MARCUS

Marcus Transformer LTD  
 Phone: 1-800-267-7376  
 Fax: 1-866-205-7526  
 Email: Info@marcustransformer.com

## TECHNICAL DATA

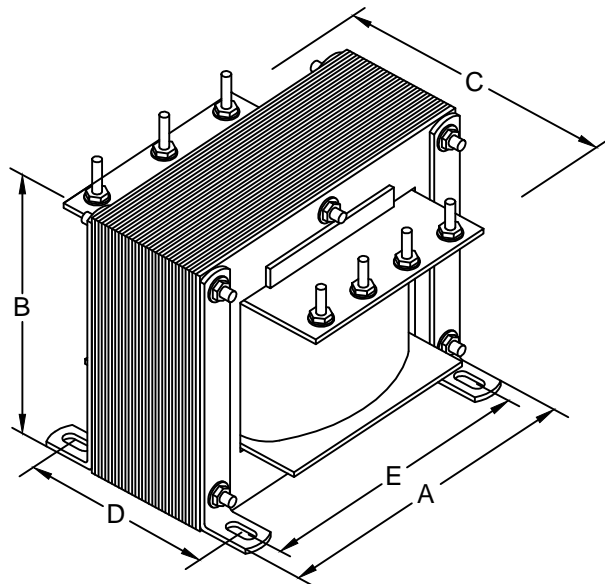
SINGLE PHASE CONTROL TRANSFORMER

DESCRIPTION	
MODEL	MO2KC
Type	Open
VA	2000
Primary (Volts)	347 / 380
Secondary (Volts)	12 / 24
Input Amps	5.76 / 5.26
Output Amps	166.67 / 83.33
Temperature Rise	100°C
Insulation Class	F (155°C)
Frequency	50 / 60Hz
Polarity	additive
Noise level	less than 40DB
Winding	Copper
Approvals	CE compliant UL listed CSA approved



**WIRING CONNECTION**

PRIMARY :		
VOLTS	CONNECT LINES TO :	
347	H1-H2	
380	H1-H3	
SECONDARY :		
VOLTS	INTERCONNECT:	CONNECT LINES TO :
12	X1-X3 AND X2-X4	X1-X4
24	X2-X3	X1-X4



**DIMENSIONS** INCHES / MM

VA	A	B	C	D	E	MOUNTING HOLES INCHES / MM	SHIP WEIGHT LBS / KG
2000	7.50 190.5	6.25 158.8	7.75 196.9	4.50 114.3	6.75 171.5	0.31 x 0.688 7.9 x 17.5	39.0 17.8

Notes:



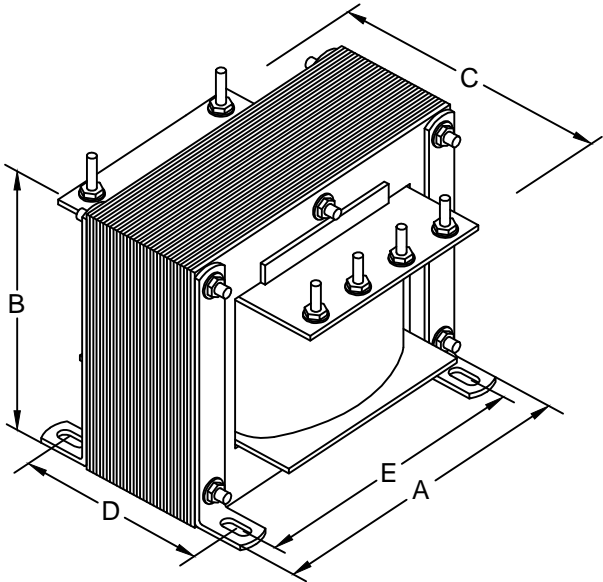
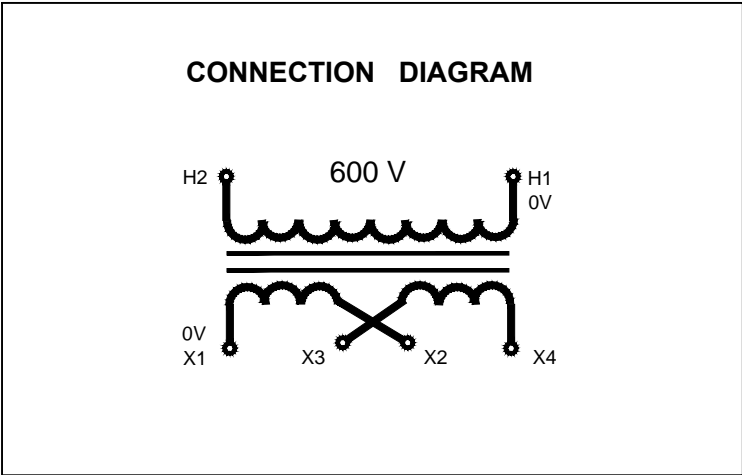
# MARCUS

Marcus Transformer LTD  
 Phone: 1-800-267-7376  
 Fax: 1-866-205-7526  
 Email: Info@marcustransformer.com

## TECHNICAL DATA

SINGLE PHASE CONTROL TRANSFORMER

DESCRIPTION	
MODEL	MO2KD
Type	Open
VA	2000
Primary (Volts)	600
Secondary (Volts)	12 / 24
Input /Output Amps	3.33 / 166.67 , 83.33
Temperature Rise	100°C
Insulation Class	F (155°C)
Frequency	60Hz
Polarity	additive
Noise level	less than 40DB
Winding	Copper
Approvals	CE compliant UL listed CSA approved



### WIRING CONNECTION

PRIMARY :		
VOLTS	CONNECT LINES TO :	
600	H1-H2	
SECONDARY :		
VOLTS	INTERCONNECT:	CONNECT LINES TO :
12	X1-X3 AND X2-X4	X1-X4
24	X2-X3	X1-X4
12/24	X2-X3	X1-X3-X4

### DIMENSIONS INCHES / MM

VA	A	B	C	D	E	MOUNTING HOLES INCHES / MM	SHIP WEIGHT LBS / KG
2000	7.50 190.5	6.25 158.8	7.75 196.9	4.50 114.3	6.75 171.5	0.31 x 0.688 7.9 x 17.5	39.0 17.8

Notes:



# MARCUS

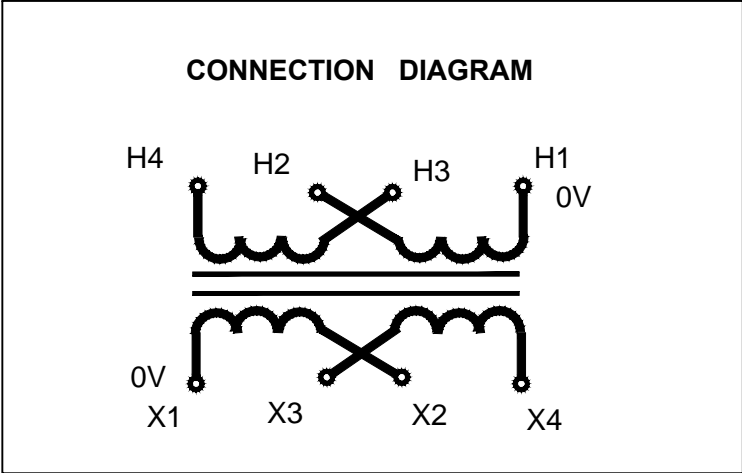
Marcus Transformer LTD  
 Phone: 1-800-267-7376  
 Fax: 1-866-205-7526  
 Email: Info@marcustransformer.com

## TECHNICAL DATA

SINGLE PHASE CONTROL TRANSFORMER

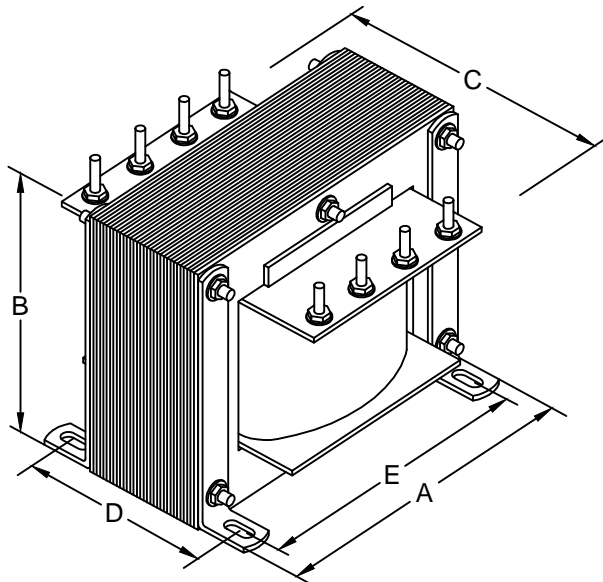
### DESCRIPTION

MODEL	MO2KE
Type	Open
VA	2000
Primary (Volts)	120 / 240
Secondary (Volts)	120 / 240
Input Amps	16.67 / 8.33
Output Amps	16.67 / 8.33
Temperature Rise	100°C
Insulation Class	F (155°C)
Frequency	50 / 60Hz
Polarity	additive
Noise level	less than 40DB
Winding	Copper
Approvals	CE compliant UL listed CSA approved



### WIRING CONNECTION

PRIMARY :		
VOLTS	INTERCONNECT:	CONNECT LINES TO :
120	H1-H3 AND H2-H4	H1-H4
240	H2-H3	H1-H4
SECONDARY :		
VOLTS	INTERCONNECT:	CONNECT LINES TO :
120	X1-X3 AND X2-X4	X1-X4
240	X2-X3	X1-X4



### DIMENSIONS INCHES / MM

VA	A	B	C	D	E	MOUNTING HOLES INCHES / MM	SHIP WEIGHT LBS / KG
2000	7.50 190.5	6.25 158.8	7.75 196.9	4.50 114.3	6.75 171.5	0.31 x 0.688 7.9 x 17.5	39.0 17.8

Notes:



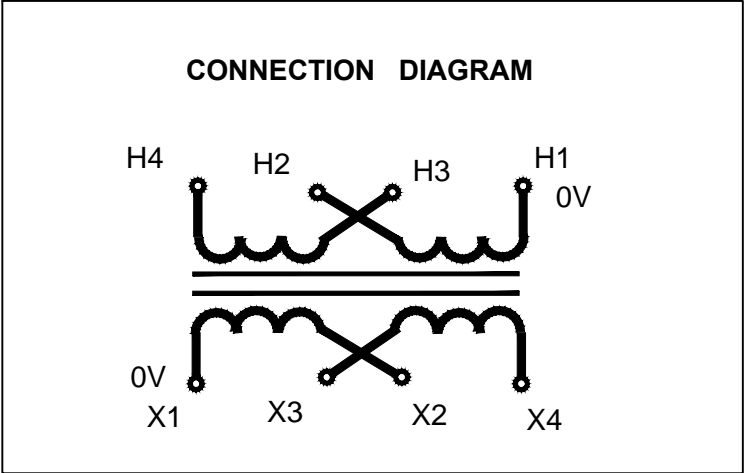
# MARCUS

Marcus Transformer LTD  
 Phone: 1-800-267-7376  
 Fax: 1-866-205-7526  
 Email: Info@marcustransformer.com

## TECHNICAL DATA

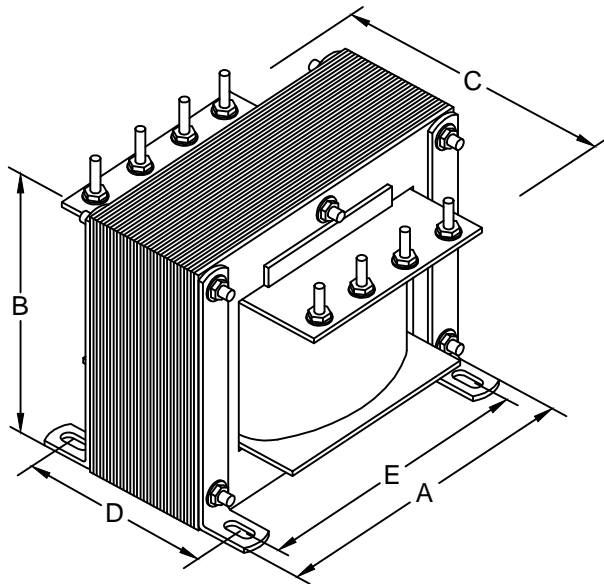
SINGLE PHASE CONTROL TRANSFORMER

DESCRIPTION	
MODEL	MO2KF
Type	Open
VA	2000
Primary (Volts)	208 / 416
Secondary (Volts)	120 / 240
Input Amps	9.62 / 4.81
Output Amps	16.67 / 8.33
Temperature Rise	100°C
Insulation Class	F (155°C)
Frequency	50 / 60Hz
Polarity	additive
Noise level	less than 40DB
Winding	Copper
Approvals	CE compliant UL listed CSA approved



### WIRING CONNECTION

PRIMARY :		
VOLTS	INTERCONNECT:	CONNECT LINES TO :
208	H1-H3 AND H2-H4	H1-H4
416	H2-H3	H1-H4
SECONDARY :		
VOLTS	INTERCONNECT:	CONNECT LINES TO :
120	X1-X3 AND X2-X4	X1-X4
240	X2-X3	X1-X4



### DIMENSIONS INCHES / MM

VA	A	B	C	D	E	MOUNTING HOLES INCHES / MM	SHIP WEIGHT LBS / KG
2000	7.50 190.5	6.25 158.8	7.75 196.9	4.50 114.3	6.75 171.5	0.31 x 0.688 7.9 x 17.5	39.0 17.8

Notes:



# MARCUS

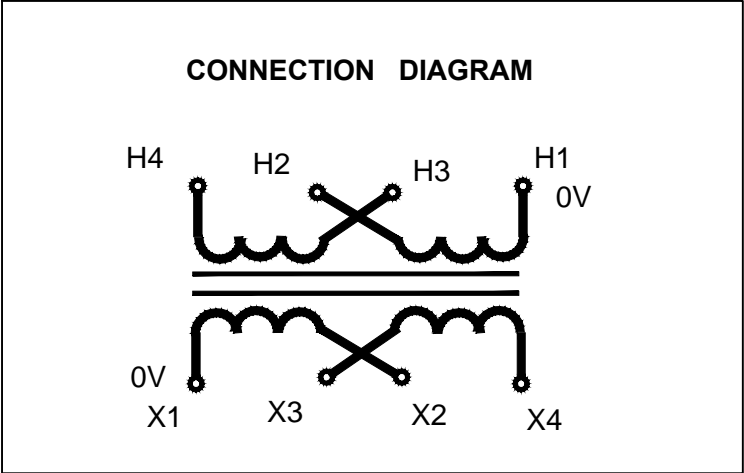
Marcus Transformer LTD  
 Phone: 1-800-267-7376  
 Fax: 1-866-205-7526  
 Email: Info@marcustransformer.com

## TECHNICAL DATA

SINGLE PHASE CONTROL TRANSFORMER

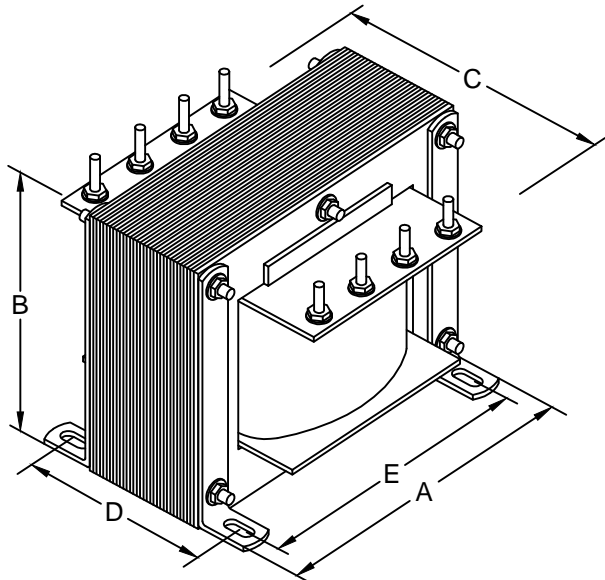
### DESCRIPTION

MODEL	MO2KG
Type	Open
VA	2000
Primary (Volts)	240 / 480
Secondary (Volts)	120 / 240
Input Amps	8.33 / 4.17
Output Amps	16.67 / 8.33
Temperature Rise	100°C
Insulation Class	F (155°C)
Frequency	60Hz
Polarity	additive
Noise level	less than 40DB
Winding	Copper
Approvals	CE compliant UL listed CSA approved



### WIRING CONNECTION

PRIMARY :		
VOLTS	INTERCONNECT:	CONNECT LINES TO :
240	H1-H3 AND H2-H4	H1-H4
480	H2-H3	H1-H4
SECONDARY :		
VOLTS	INTERCONNECT:	CONNECT LINES TO :
120	X1-X3 AND X2-X4	X1-X4
240	X2-X3	X1-X4



### DIMENSIONS INCHES / MM

VA	A	B	C	D	E	MOUNTING HOLES INCHES / MM	SHIP WEIGHT LBS / KG
2000	7.50 190.5	6.25 158.8	7.75 196.9	4.50 114.3	6.75 171.5	0.31 x 0.688 7.9 x 17.5	39.0 17.8

Notes:



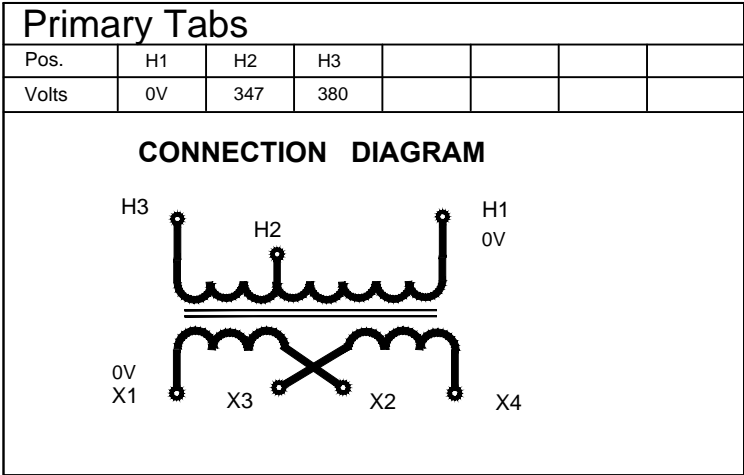
# MARCUS

Marcus Transformer LTD  
 Phone: 1-800-267-7376  
 Fax: 1-866-205-7526  
 Email: Info@marcustransformer.com

## TECHNICAL DATA

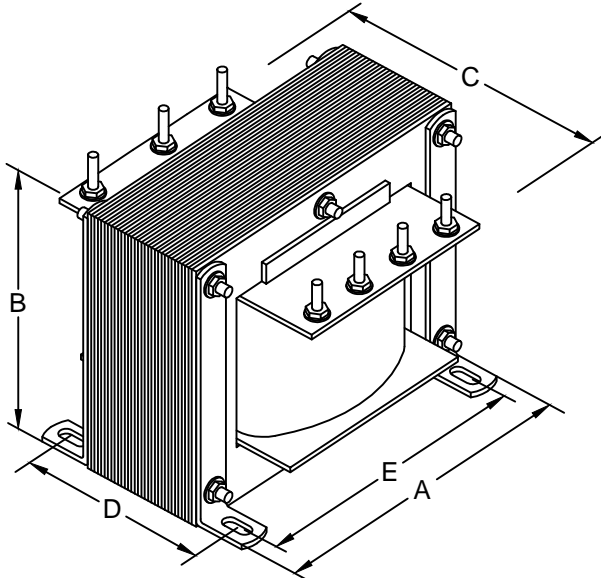
SINGLE PHASE CONTROL TRANSFORMER

DESCRIPTION	
MODEL	MO2KH
Type	Open
VA	2000
Primary (Volts)	347 / 380
Secondary (Volts)	120 / 240
Input Amps	5.76 / 5.26
Output Amps	16.67 / 8.33
Temperature Rise	100°C
Insulation Class	F (155°C)
Frequency	50 / 60Hz
Polarity	additive
Noise level	less than 40DB
Winding	Copper
Approvals	CE compliant UL listed CSA approved



### WIRING CONNECTION

PRIMARY :		
VOLTS	CONNECT LINES TO :	
347	H1-H2	
380	H1-H3	
SECONDARY :		
VOLTS	INTERCONNECT:	CONNECT LINES TO :
120	X1-X3 AND X2-X4	X1-X4
240	X2-X3	X1-X4



### DIMENSIONS INCHES / MM

VA	A	B	C	D	E	MOUNTING HOLES INCHES / MM	SHIP WEIGHT LBS / KG
2000	7.50 190.5	6.25 158.8	7.75 196.9	4.50 114.3	6.75 171.5	0.31 x 0.688 7.9 x 17.5	39.0 17.8

Notes:





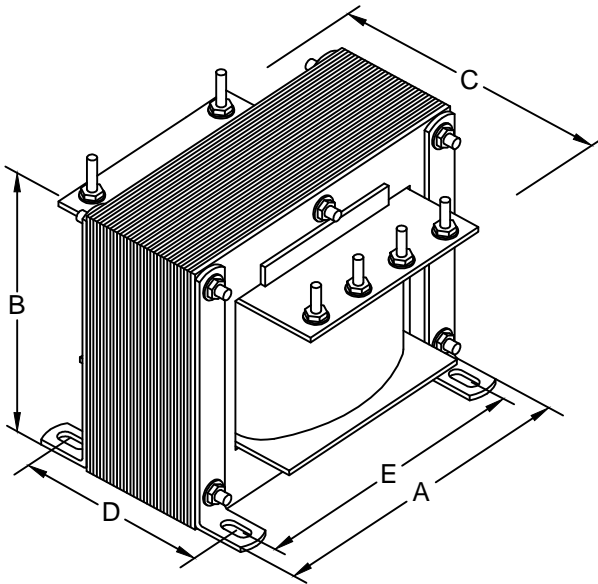
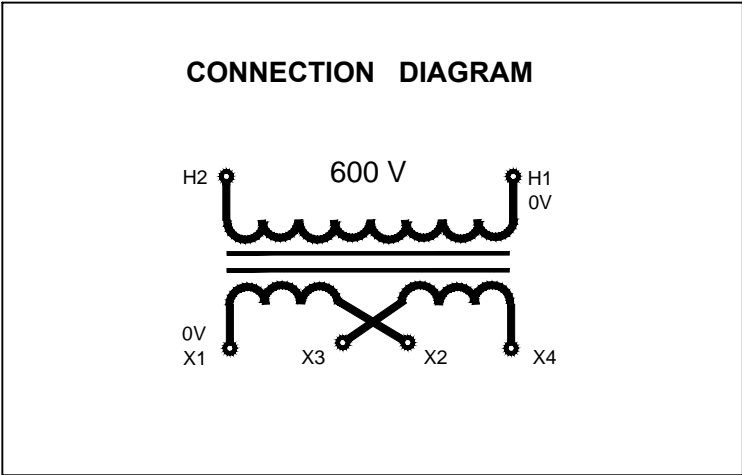
# MARCUS

Marcus Transformer LTD  
 Phone: 1-800-267-7376  
 Fax: 1-866-205-7526  
 Email: Info@marcustransformer.com

## TECHNICAL DATA

SINGLE PHASE CONTROL TRANSFORMER

DESCRIPTION	
MODEL	MO2KI
Type	Open
VA	2000
Primary (Volts)	600
Secondary (Volts)	120 / 240
Input/Output Amps	3.33 / 16.67 , 8.33
Temperature Rise	100°C
Insulation Class	F (155°C)
Frequency	60Hz
Polarity	additive
Noise level	less than 40DB
Winding	Copper
Approvals	CE compliant UL listed CSA approved



### WIRING CONNECTION

PRIMARY :		
VOLTS	CONNECT LINES TO :	
600	H1-H2	
SECONDARY :		
VOLTS	INTERCONNECT:	CONNECT LINES TO :
120	X1-X3 AND X2-X4	X1-X4
240	X2-X3	X1-X4
120/240	X2-X3	X1-X3-X4

### DIMENSIONS INCHES / MM

VA	A	B	C	D	E	MOUNTING HOLES INCHES / MM	SHIP WEIGHT LBS / KG
2000	7.50 190.5	6.25 158.8	7.75 196.9	4.50 114.3	6.75 171.5	0.31 x 0.688 7.9 x 17.5	39.0 17.8

Notes:



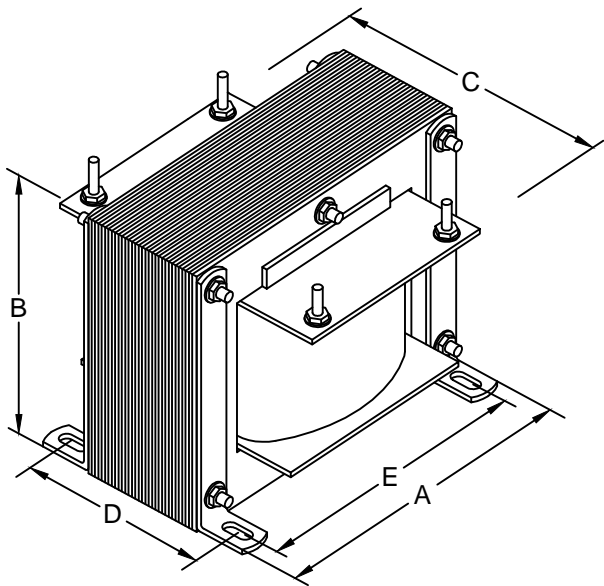
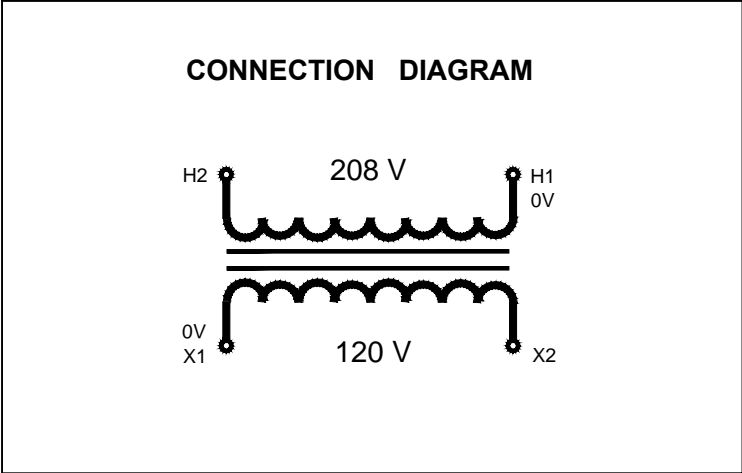
# MARCUS

Marcus Transformer LTD  
 Phone: 1-800-267-7376  
 Fax: 1-866-205-7526  
 Email: Info@marcustransformer.com

## TECHNICAL DATA

SINGLE PHASE CONTROL TRANSFORMER

DESCRIPTION	
MODEL	MO2KK
Type	Open
VA	2000
Primary (Volts)	208
Secondary (Volts)	120
Input /Output Amps	9.62 / 16.67
Temperature Rise	100°C
Insulation Class	F (155°C)
Frequency	60Hz
Polarity	additive
Noise level	less than 40DB
Winding	Copper
Approvals	CE compliant UL listed CSA approved



### WIRING CONNECTION

PRIMARY :	
VOLTS 208	CONNECT LINES TO : H1-H2
SECONDARY :	
VOLTS 120	CONNECT LINES TO : X1-X2

### DIMENSIONS INCHES / MM

VA	A	B	C	D	E	MOUNTING HOLES INCHES / MM	SHIP WEIGHT LBS / KG
2000	7.50 190.5	6.25 158.8	7.75 196.9	4.50 114.3	6.75 171.5	0.31 x 0.688 7.9 x 17.5	39.0 17.8

Notes:



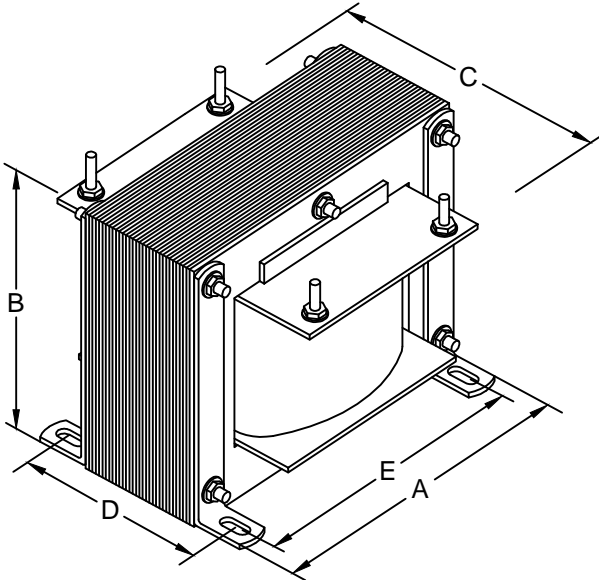
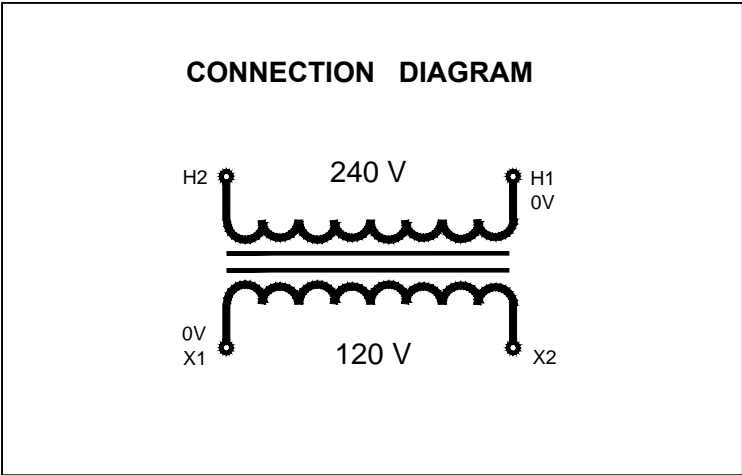
# MARCUS

Marcus Transformer LTD  
 Phone: 1-800-267-7376  
 Fax: 1-866-205-7526  
 Email: Info@marcustransformer.com

## TECHNICAL DATA

SINGLE PHASE CONTROL TRANSFORMER

DESCRIPTION	
MODEL	MO2KL
Type	Open
VA	2000
Primary (Volts)	240
Secondary (Volts)	120
Input/Output Amps	8.33 / 16.67
Temperature Rise	100°C
Insulation Class	F (155°C)
Frequency	60Hz
Polarity	additive
Noise level	less than 40DB
Winding	Copper
Approvals	CE compliant UL listed CSA approved



### WIRING CONNECTION

PRIMARY :	
VOLTS	CONNECT LINES TO :
240	H1-H2
SECONDARY :	
VOLTS	CONNECT LINES TO :
120	X1-X2

### DIMENSIONS INCHES / MM

VA	A	B	C	D	E	MOUNTING HOLES INCHES / MM	SHIP WEIGHT LBS / KG
2000	7.50 190.5	6.25 158.8	7.75 196.9	4.50 114.3	6.75 171.5	0.31 x 0.688 7.9 x 17.5	39.0 17.8

Notes:



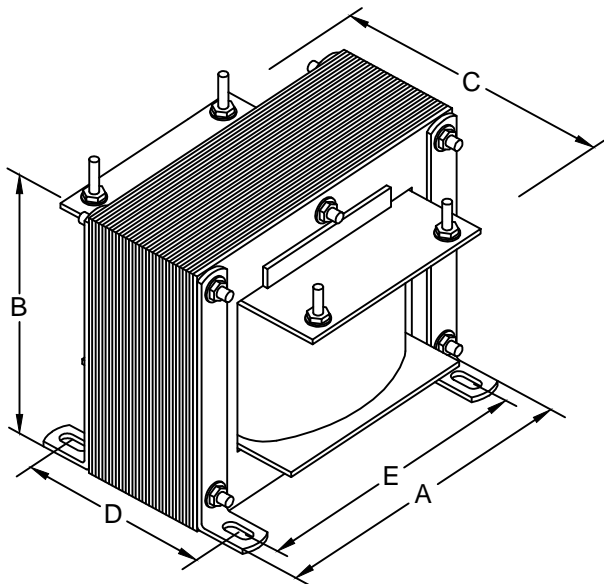
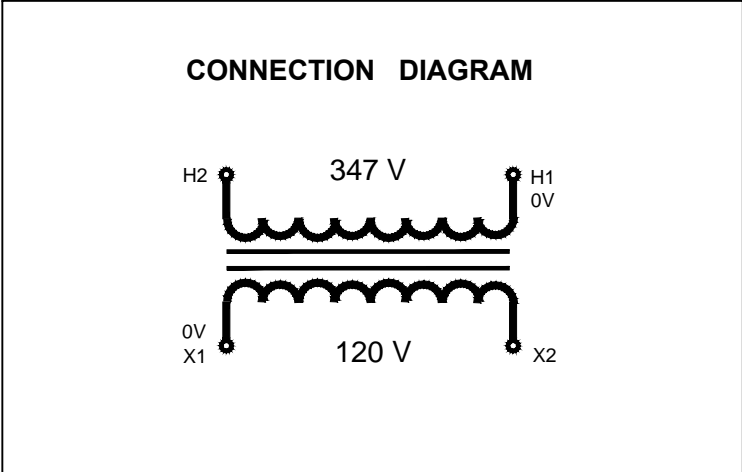
# MARCUS

Marcus Transformer LTD  
 Phone: 1-800-267-7376  
 Fax: 1-866-205-7526  
 Email: Info@marcustransformer.com

## TECHNICAL DATA

SINGLE PHASE CONTROL TRANSFORMER

DESCRIPTION	
MODEL	MO2KM
Type	Open
VA	2000
Primary (Volts)	347
Secondary (Volts)	120
Input /Output Amps	5.76 / 16.67
Temperature Rise	100°C
Insulation Class	F (155°C)
Frequency	60Hz
Polarity	additive
Noise level	less than 40DB
Winding	Copper
Approvals	CE compliant UL listed CSA approved



### WIRING CONNECTION

PRIMARY :	
VOLTS 347	CONNECT LINES TO : H1-H2
SECONDARY :	
VOLTS 120	CONNECT LINES TO : X1-X2

### DIMENSIONS INCHES / MM

VA	A	B	C	D	E	MOUNTING HOLES INCHES / MM	SHIP WEIGHT LBS / KG
2000	7.50 190.5	6.25 158.8	7.75 196.9	4.50 114.3	6.75 171.5	0.31 x 0.688 7.9 x 17.5	39.0 17.8

Notes:



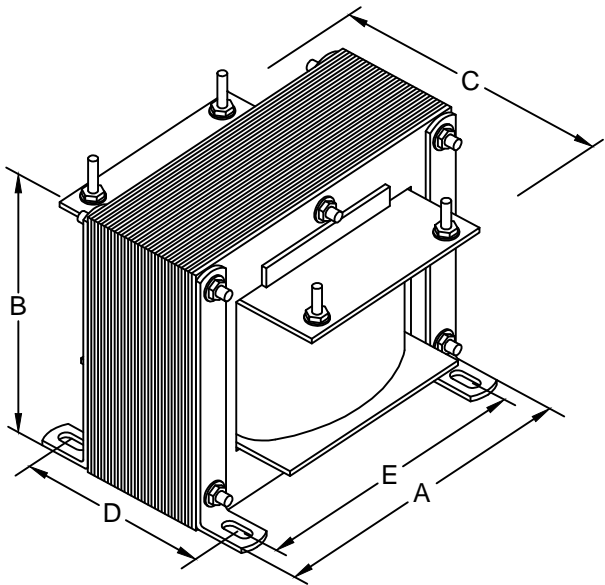
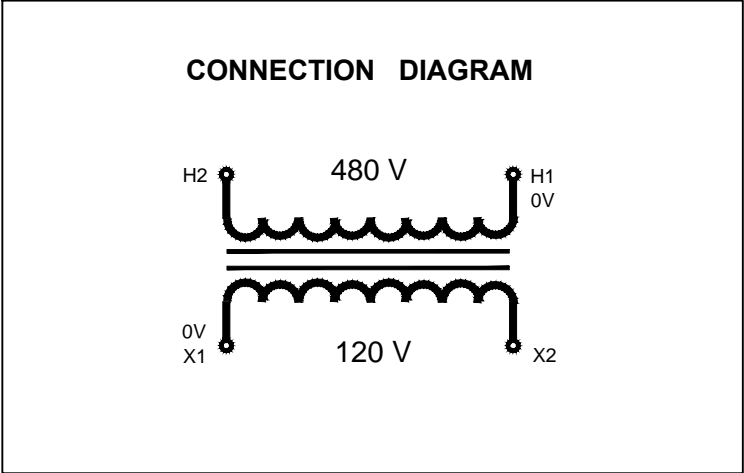
# MARCUS

Marcus Transformer LTD  
 Phone: 1-800-267-7376  
 Fax: 1-866-205-7526  
 Email: Info@marcustransformer.com

## TECHNICAL DATA

SINGLE PHASE CONTROL TRANSFORMER

DESCRIPTION	
MODEL	MO2KN
Type	Open
VA	2000
Primary (Volts)	480
Secondary (Volts)	120
Input /Output Amps	4.17 / 16.67
Temperature Rise	100°C
Insulation Class	F (155°C)
Frequency	60Hz
Polarity	additive
Noise level	less than 40DB
Winding	Copper
Approvals	CE compliant UL listed CSA approved



### WIRING CONNECTION

PRIMARY :	
VOLTS	CONNECT LINES TO :
480	H1-H2
SECONDARY :	
VOLTS	CONNECT LINES TO :
120	X1-X2

### DIMENSIONS INCHES / MM

VA	A	B	C	D	E	MOUNTING HOLES INCHES / MM	SHIP WEIGHT LBS / KG
2000	7.50 190.5	6.25 158.8	7.75 196.9	4.50 114.3	6.75 171.5	0.31 x 0.688 7.9 x 17.5	39.0 17.8

Notes:



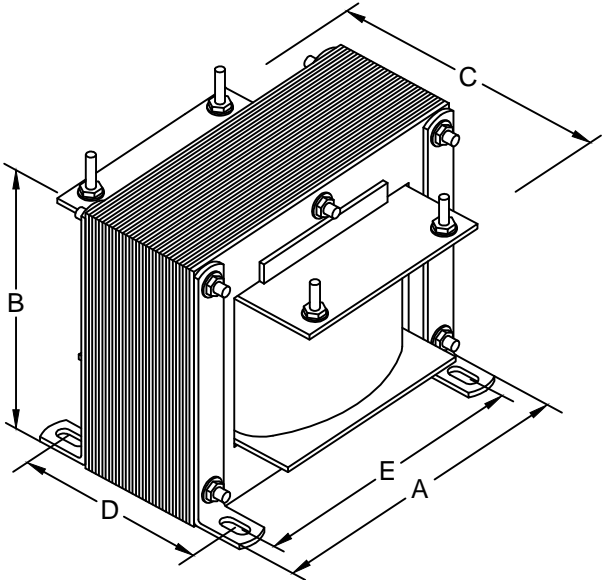
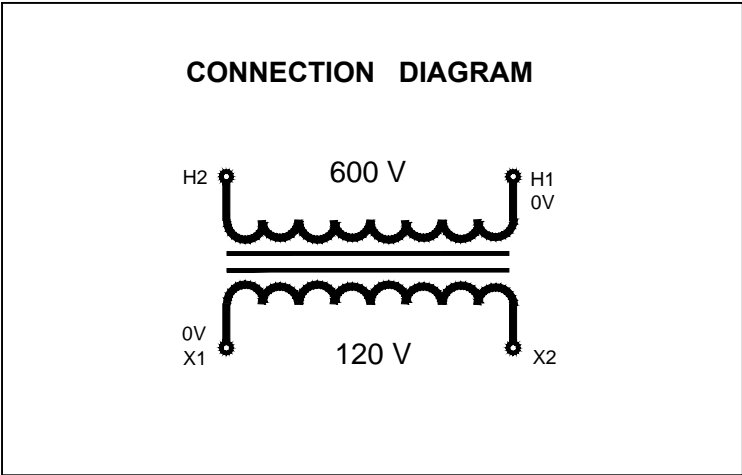
# MARCUS

Marcus Transformer LTD  
 Phone: 1-800-267-7376  
 Fax: 1-866-205-7526  
 Email: Info@marcustransformer.com

## TECHNICAL DATA

SINGLE PHASE CONTROL TRANSFORMER

DESCRIPTION	
MODEL	MO2KO
Type	Open
VA	2000
Primary (Volts)	600
Secondary (Volts)	120
Input /Output Amps	3.33 / 16.67
Temperature Rise	100°C
Insulation Class	F (155°C)
Frequency	60Hz
Polarity	additive
Noise level	less than 40DB
Winding	Copper
Approvals	CE compliant UL listed CSA approved



### WIRING CONNECTION

PRIMARY :	
VOLTS 600	CONNECT LINES TO : H1-H2
SECONDARY :	
VOLTS 120	CONNECT LINES TO : X1-X2

### DIMENSIONS INCHES / MM

VA	A	B	C	D	E	MOUNTING HOLES INCHES / MM	SHIP WEIGHT LBS / KG
2000	7.50 190.5	6.25 158.8	7.75 196.9	4.50 114.3	6.75 171.5	0.31 x 0.688 7.9 x 17.5	39.0 17.8

Notes: