

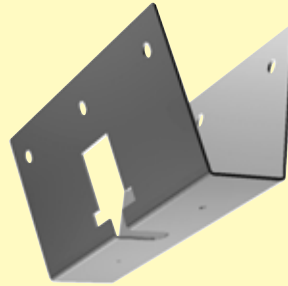
BRAK-IT

GALVANIZED IRON HOOKS for steel deck ceilings and wooden structures.



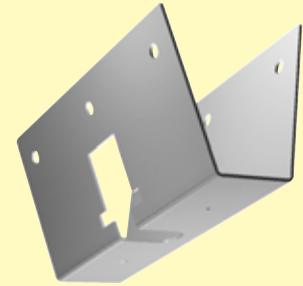
BRAK-IT No: 100 Hook

Easy to install



BRAK-IT No: 200 (1/4 - 5/16)

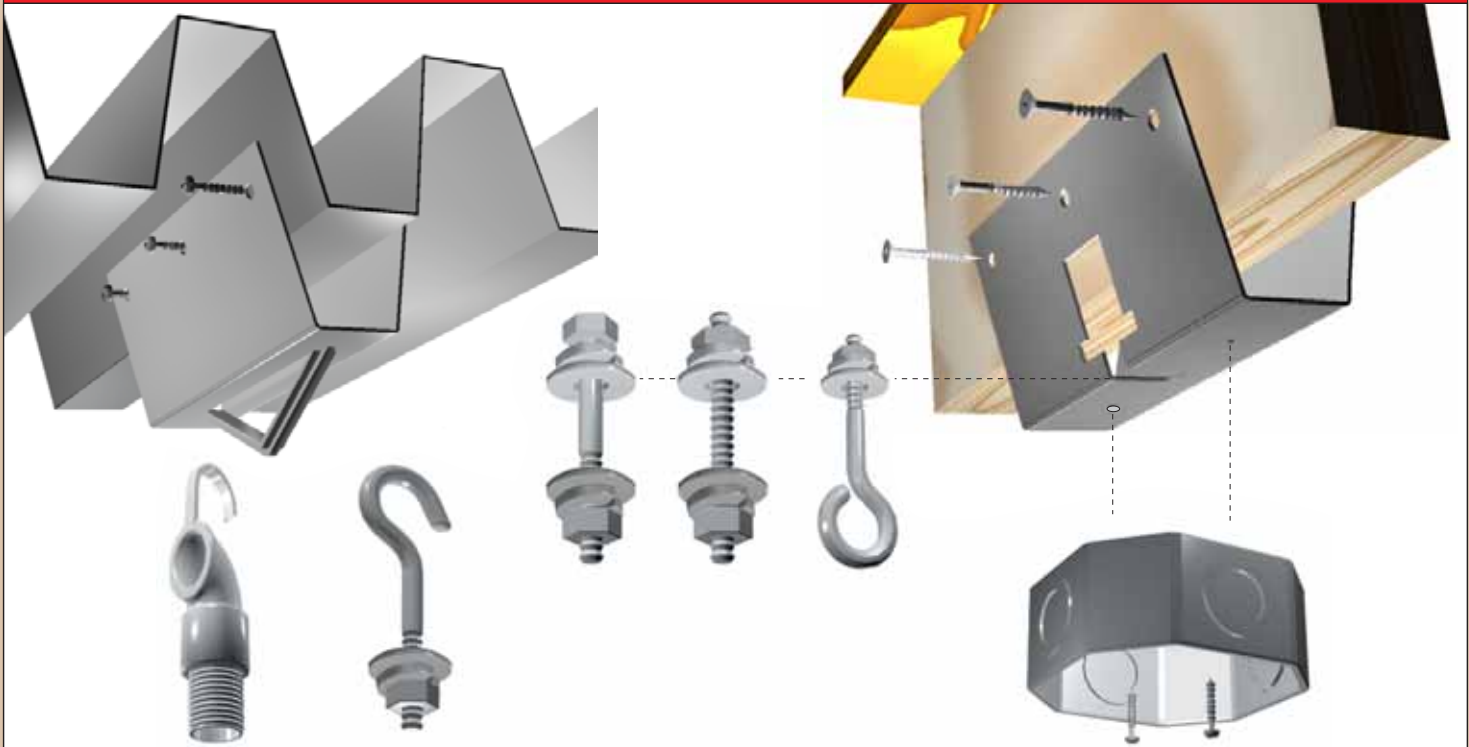
Holds up to 100 lbs per hook



BRAK-IT No: 300 (5/16 - 1/2)

Quick to install

UNIVERSAL SOLUTION



Compatible with other fixtures and other apparels on the market (See reverse for applications).

 **MADE IN CANADA**



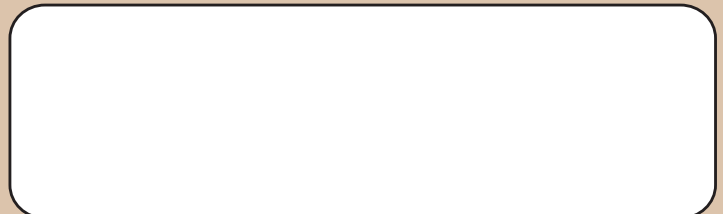
Distribution

ATIS Inc.

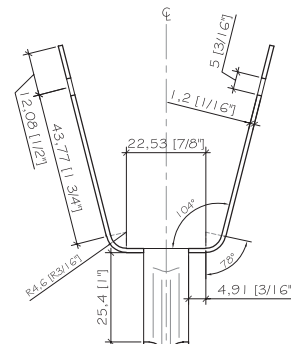
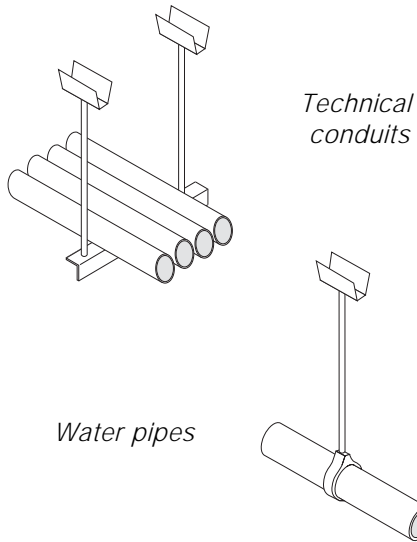
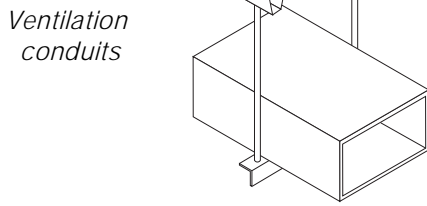
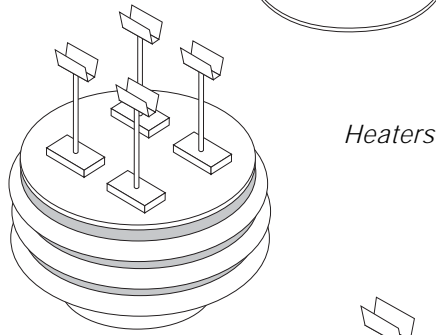
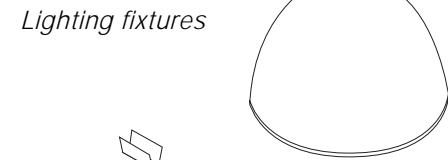
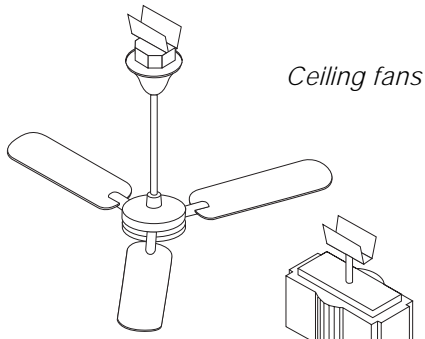
105, De Montbrun
Boucherville, QC J4B 4V1
Tel.: (450) 655-1803
Fax: (450) 641-0651
Web site: www.brak-it.com
E-mail: sales@brak-it.com



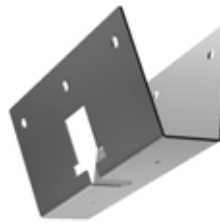
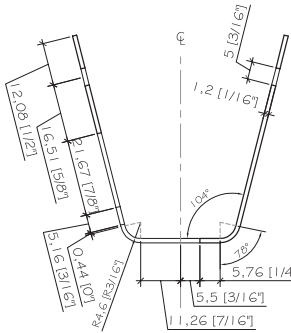
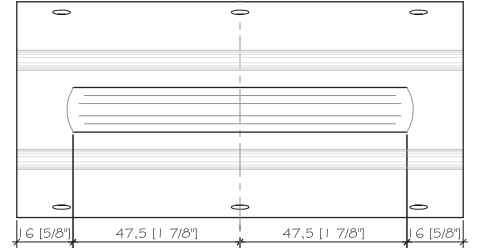
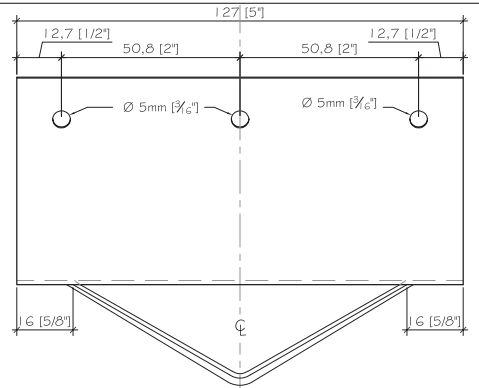
Authorized distributor:



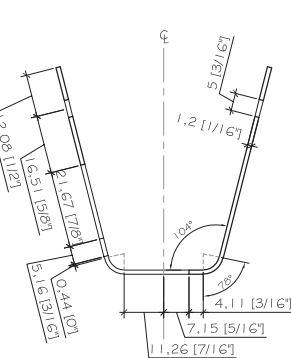
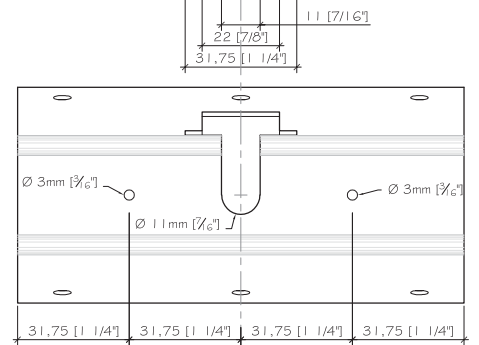
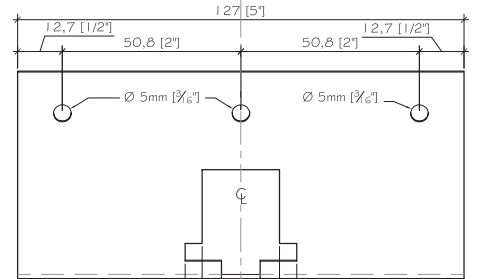
BRAK-IT 100 - 200 - 300 APPLICATIONS



BRAK-IT No: 100 Hook PAT.PENDING



BRAK-IT No: 200 (1/4 - 5/16) PAT.PENDING



BRAK-IT No: 300 (1/4 - 5/16) PAT.PENDING

