



System Features and Benefits

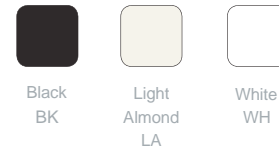
- Up to six cameras per system
- Up to two LCDs or TV Displays per system
- Up to 32 intercom units per system
- System can be expanded for up to 16 audio zones
- Efficient Cat 5 installation with plug and play connections
- All units self-discover when connected to power
- No programming required, easy personalization options

COLORS

LCD Display



TV Display Interface



RELATED PRODUCTS



IC5000-XX
Selective Call Intercom
Room Unit



AU5009-XX
lyriQ Keypad

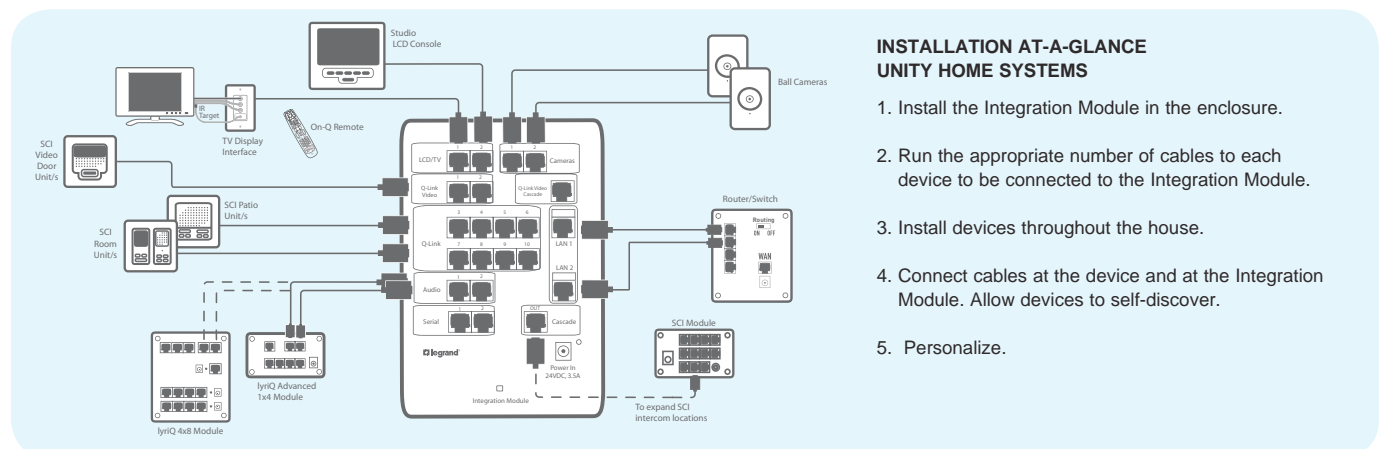


IC5003-XX
Selective Call Intercom
Video Door Unit



CM5002-XX
Ball Camera

WIRING DIAGRAM



INSTALLATION AT-A-GLANCE UNITY HOME SYSTEMS

1. Install the Integration Module in the enclosure.
2. Run the appropriate number of cables to each device to be connected to the Integration Module.
3. Install devices throughout the house.
4. Connect cables at the device and at the Integration Module. Allow devices to self-discover.
5. Personalize.