

Switches Specification Grade Decorator Switches

15, 120/277 & 347VAC; 20A, 120VAC

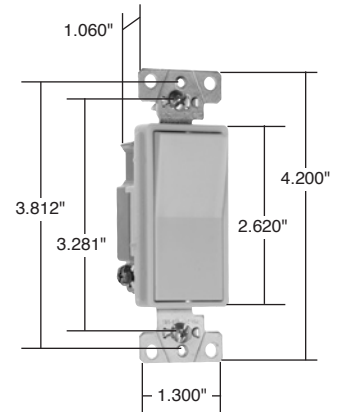
Pass & Seymour



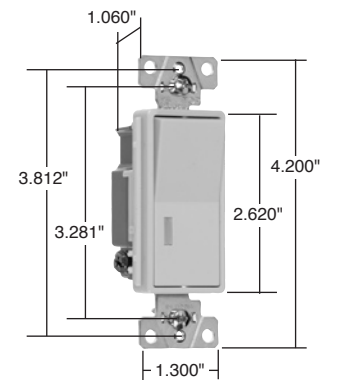
Switches

Features

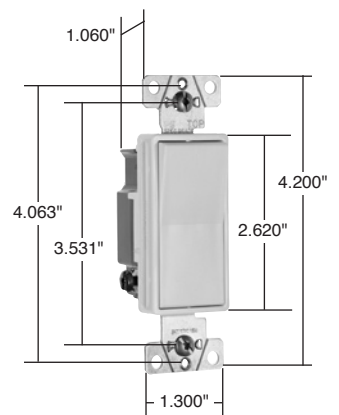
- Impact-resistant polycarb back body and frame.
- Cushioned thermoplastic paddle assures smooth, quiet, long term operation.
- Unique single rocking butterfly contact provides long term consistent performance with significantly fewer moving parts.
- Internal screw-pressure-plate back and side wire capability for easy installation with #14 – #10 stranded or solid copper/copper clad wire. Terminals made of high conductivity brass and serrated for maximum wire gripping.
- Silver alloy contacts integrally formed to the butterfly actuator assures reliable performance.
- Integral auto-ground clip for positive ground to metal boxes.
- Tri-drive ground, terminal and mounting screws. All terminal screws backed out, ready-to-install.



2601



2625, 2626, 2629



2601347

Catalog Number				Rating A. VAC	Color	3rd Party Compliance	
Single Pole	Double Pole	Three-Way	Four-Way			UL20	C22.2 111
Specification Grade Decorator Switches Back & Side Wire*							
2601I		2603I	2604I	15	120/277	Ivory	• •
2601W		2603W	2604W	15	120/277	White	• •
2601GRY		2603GRY		15	120/277	Gray	• •
2601BK		2603BK		15	120/277	Black	• •
2601LA		2603LA	2604LA	15	120/277	Light Almond	• •
2621I	2622I	2623I	2624I	20	120/277	Ivory	• •
2621W	2622W	2623W	2624W	20	120/277	White	• •
2621	2622	2623	2624	20	120/277	Brown	• •
2621GRY	2622GRY	2623GRY	2624GRY	20	120/277	Gray	• •
2621BK	2622BK	2623BK	2624BK	20	120/277	Black	• •
2621RED		2623RED	2624RED	20	120/277	Red	• •
2621LA	2622LA	2623LA	2624LA	20	120/277	Light Almond	• •
Illuminated Decorator Switches (Lighted when OFF) Back & Side Wire*							
2625I		2626I	2628I	20	120	Ivory	• •
2625W		2626W	2628W	20	120	White	• •
2625				20	120	Brown	• •
2625LA		2626LA	2628LA	20	120	Light Almond	• •
Pilot Lighted Decorator Switches (Lighted when ON) Back & Side Wire*							
2629I				20	120	Ivory	• •
2629W				20	120	White	• •
2629LA				20	120	Light Almond	• •

*For Configurable Solutions, see Page U-1.

Catalog Number				Rating A. VAC	Color	3rd Party Compliance	
Single Pole	Three-Way	Four-Way	A. VAC			UL20	C22.2 111
Specification Grade Decorator Switches Back & Side Wire							
2601347I	2603347I			15	347	Ivory	• •
2601347W	2603347W			15	347	White	• •
2601347GRY				15	347	Gray	• •
2601347LA				15	347	Light Almond	• •
2621347I	2623347I	2624347I		20	347	Ivory	• •
2621347W	2623347W	2624347W		20	347	White	• •
2621347GRY	2623347GRY			20	347	Gray	• •
2621347BK	2623347BK			20	347	Black	• •
2621347RED	2623347RED			20	347	Red	• •
2621347LA	2623347LA	2624347LA		20	347	Light Almond	• •
* Denotes Canadian catalog number. All Canadian products have Combination Slotted/Robertson Head Brass Screws.							

All devices listed on this page conform to NEMA WD-1 and WD-6.

Specification Grade Decorator Switches