



Technical Specifications Incandescent Preset Wide Slide Dimmers

120VAC, 60 Hz

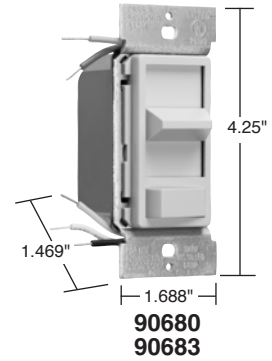
Pass & Seymour



Typical Specifications

Incandescent dimmer shall be UL Listed/CSA Certified Pass & Seymour/Legrand Specification Grade, with full range solid-state circuitry that shall provide even control by means of a slide mechanism. Preset lighting levels may be maintained by means of a separate ON/OFF switch. Dimmers shall fit in standard single gang wall boxes. California Title 24 Compliant. Conforms to NEMA WD-1 and WD-6.

Catalog Number	Color	Description	Rated Load	Catalog Number	Color	Description	Rated Load
<input type="checkbox"/> 90680I	Ivory	Single Pole	600W	<input type="checkbox"/> 91180I	Ivory	Single Pole	1000W
<input type="checkbox"/> 90680W	White	Single Pole	600W	<input type="checkbox"/> 91180W	White	Single Pole	1000W
<input type="checkbox"/> 90680GRY	Gray	Single Pole	600W	<input type="checkbox"/> 91180GRY	Gray	Single Pole	1000W
<input type="checkbox"/> 90680LAV	Lt. Almond	Single Pole	600W	<input type="checkbox"/> 91180LA	Lt. Almond	Single Pole	1000W
<input type="checkbox"/> 90683I	Ivory	Three-Way	600W	<input type="checkbox"/> 91183I	Ivory	Three-Way	1000W
<input type="checkbox"/> 90683W	White	Three-Way	600W	<input type="checkbox"/> 91183W	White	Three-Way	1000W
<input type="checkbox"/> 90683GRY	Gray	Three-Way	600W	<input type="checkbox"/> 91183GRY	Gray	Three-Way	1000W
<input type="checkbox"/> 90683LAV	Lt. Almond	Three-Way	600W	<input type="checkbox"/> 91183LA	Lt. Almond	Three-Way	1000W

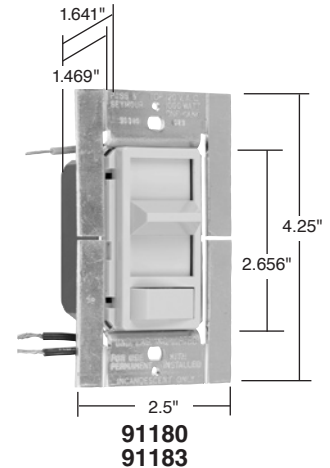


Features

- Infinite variable dimming.
- Maximum ratings are for continuous full load.
- Preset models include ON/OFF rocker switch that allows ON/OFF switching without disturbing preset intensity levels.
- 91180 is rated for 1000W and matched with a standard wall plate.
- 600 Watt models may be ganged without de-rating.
- Installs in NEMA standard single-gang wall boxes.

Full-ON Bypass Feature

When the dimmer is placed in the full-ON position, the dimming circuitry is bypassed by latching contacts. This feature allows for 100% lighting output and extends dimmer life.



Performance

Electrical

Voltage	120VAC 60 Hz
Rated Load	(See Above) Incandescent Only
Filtering	Radio Frequency Interference Filtering
Power Applied at Full On	100%
Construction	Printed Circuit Board for Reliability
3rd Party Compliance	UL Listed, CSA Certified

Controls

Output	Full On Bypass, Safety Power Off Switch
--------	---

Physical

Size	One Gang
Heat Sink	Mounting Strap for 90680, 90683, 91180, 91183
Wiring	6" Color-Coded Leads Pre-Stripped

Environmental

Application	Indoor Use Only
-------------	-----------------

Materials

Front Cover and Knob	Flame Retardant UL94 V0, UV Stable Polycarbonate
Back Body	Unbreakable ABS

Accessories

Twist Wire Connectors	Provided
Installation and Operating Instructions	Provided

Project

Location/Type