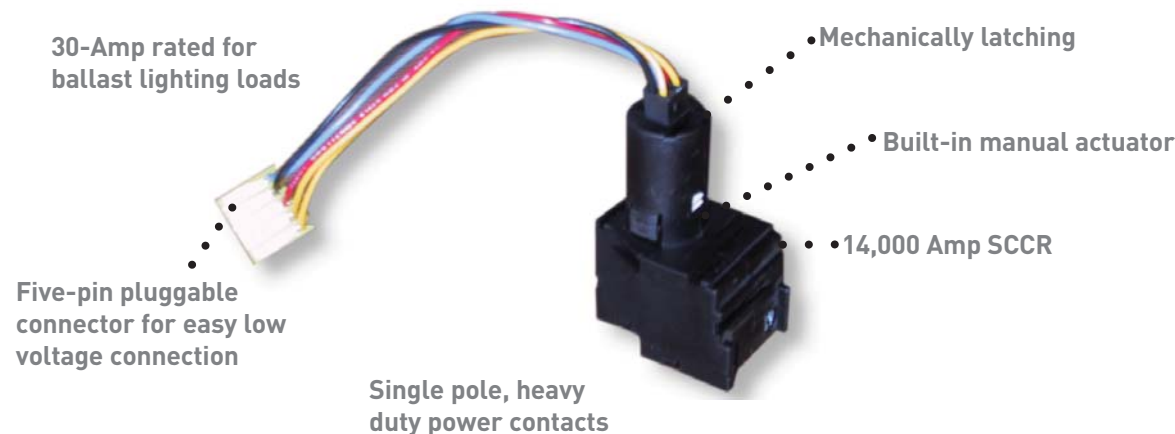




HDR Low Voltage Relay



PROJECT
LOCATION/TYPE

Product Overview

Description

This low voltage relay is used for control of lighting circuits and other electrical loads in WattStopper's Lighting Integrator control panels. Momentary, low voltage pulses from the panel's control system switch the relays on or off. Mechanical latching operation results in lower power consumption. The relay will remain in the last switched state in the event of a power loss. A built-in manual actuator allows lights to be turned on in the event of a panel or relay failure. The relay mounts into a standard knockout and comes with a plug-in cable for easy panel connection. Typically, users specify the number of relays and the panel is assembled and shipped with this quantity.

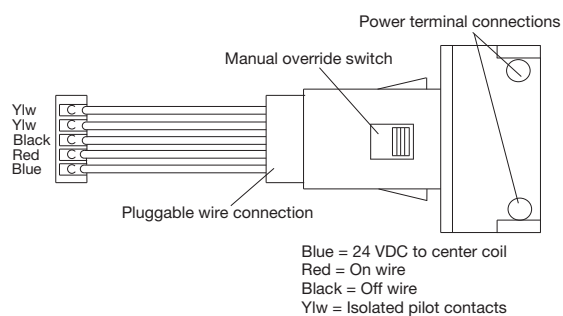
Specifications

- 1/2" knockout mounting
- Accepts wire gauge #10 - #14 AWG, copper wire, solid or stranded
- Operating voltage 24 VDC
- Isolated pilot relay contacts, .5 Amp @ 30 VAC/DC for status feedback
- Integral manual override
- Rated 14,000 amps Short Circuit Current Rating (SCCR)
- Suitable for use with all HID ballasted loads
- Expected service life is over 25 years at nominal load and cycle rate
- Dimensions: 3.2"x 1.3"x .85" (81.3 mm x 33.0 mm x 21.6 mm)
- UL listed, CSA certified; five year warranty

Ratings

- Ballast load 30 Amp @ 277 VAC (including HID) 20 Amp @ 347 VAC
- Tungsten load 20 Amp @ 120 VAC
- Resistive load 30 Amp @ 347 VAC
- Motor load 1½ HP @ 120 VAC
- UL 20 listed for receptacle circuit control

HDR Wiring



Ordering Information

Catalog No.	Description
<input type="checkbox"/> HDR5P	Mechanically Latching Relay (low voltage) with five-pin plug-in connector, pilot contacts, override switch

Qualifies for use in ARRA-funded projects.