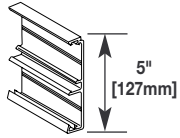
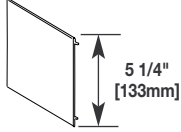
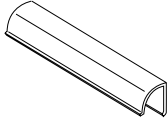


Access 5000 Base & Cover

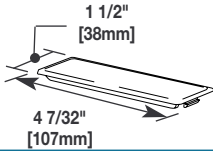
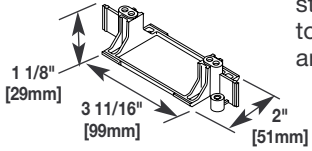
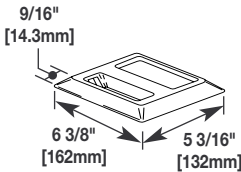
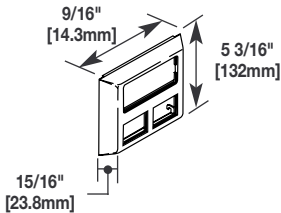
Catalog No./Item	Description/Specifications
5000B 	Base – An integral divider forms two channels for power and low-voltage separation. Base supplied in 8' [240m] lengths.
5000C*† 	Cover – Covers supplied in 8' [240m] lengths.
5000T*† 	Quarter Round Trim – Trim covers supplied in 8' [240m] lengths.

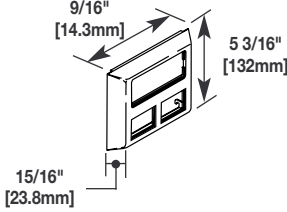
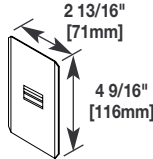
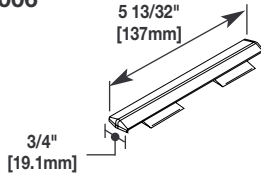
Access Raceway in standard white vinyl and maple wood veneer; also available in black, gray vinyl, and fine oak wood veneer finishes.



Access Raceway's Base, Cover, and Trim Cover are sold separately.

Access 5000 Raceway Fittings

Catalog No./Item	Description/Specifications
5005* 	Low-Voltage Blank Plate – Blanks entire low-voltage recess in device plate.
5007 	Device Bracket – For mounting standard devices. Snaps into top section of base wherever an outlet is needed.
5007C-1A* 	External Device Cover Plate – For mounting one standard device and up to two voice/data connectors. <ul style="list-style-type: none"> • Accepts 5507 Series Faceplates and Pass & Seymour Activate Keystone Jacks and Inserts.
5007C-2AB* 	Deep Device Plate – For mounting deeper devices such as Sentrex® protection and GFCI devices and Pass & Seymour Activate communications inserts. <ul style="list-style-type: none"> • Accepts 5507 Series Faceplates, 2A size Activate inserts, and Open System Communication Modules.

Catalog No./Item	Description/Specifications
5007C-2RT* 	Deep Device Plate – For mounting deeper devices such as Sentrex® surge protection and GFCI devices and Ortronics communications inserts. <ul style="list-style-type: none"> • Accepts 5507 Series Faceplates, Tracjack and Series II Inserts.
5001 	Base Coupling – For aligning base sections.
5006* 	Cover Clip – Covers seam between butted cover sections.

NOTE: * Add suffix "WH" for white finish, "BK" for black, and "GY" for gray.
 † Add suffix "W" for maple finish or "OA" for oak.

WIREMOLD



5000 Two-Piece Multiple Channel Raceway

Access™ 5000 Nonmetallic Surface Raceway System



This attractive raceway conceals and organizes electrical wiring and low-voltage cabling in a sleek, handsome molding. Access Raceway is divided and the low-profile device plates deliver combinations of power and communications cabling.

Access 5000 Raceway System saves time and money because it installs faster and neater than conventional in-wall wiring. It is more energy efficient because walls, vapor barriers and insulation remain intact. And it's a snap to reconfigure or add new wiring/cabling to home or office.



Access 5000 Raceway installed at chair rail height.

Features & Benefits

- **Low profile base mold design.** Raceway can serve as an aesthetically pleasing molding which eliminates the need for additional finishing work.
- **Dual channel raceway.** Power and low-voltage can be run in same raceway.
- **PVC and wood veneer finishes.** Attractive finishes to blend with any decor.
- **Modular device brackets and faceplates.** New and emerging power or communications technologies can be adapted or updated without major construction to reduce overall life cycle costs.
- **Made of durable PVC material.** Lightweight and easy to cut. Meets UL flammability requirements and is UL Listed/CSA Approved for up to 600 volts.
- **Patented safety interlock system on covers.** Offers additional safety for home applications.
- **Full line of fittings and accessories.** Fittings snap onto base and overlap to cover seams for quick and easy installation.
- **Eight-foot lengths.** Installs quickly by one person with fewer joints to cover. Consult factory for custom lengths.
- **Datacom connectivity options.** Accepts industry standard and proprietary devices from a wide range of manufacturers to provide a seamless and aesthetically pleasing interface for voice, data, audio, and video applications at the point of use.