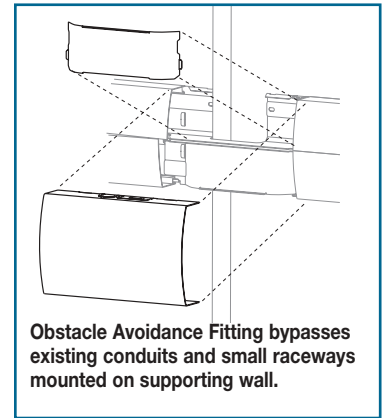
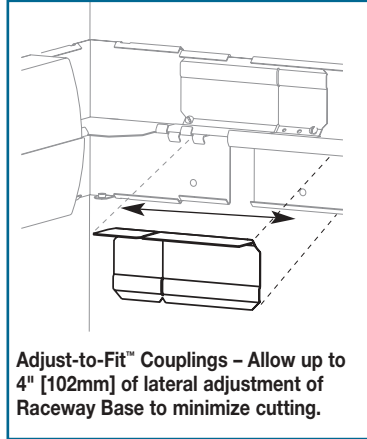
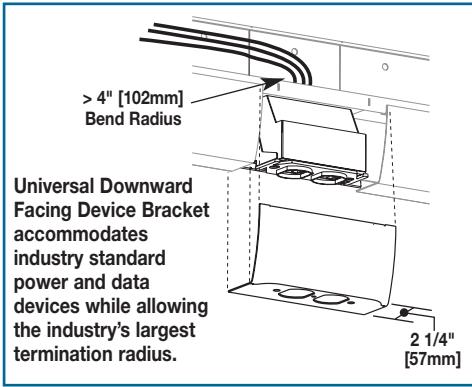
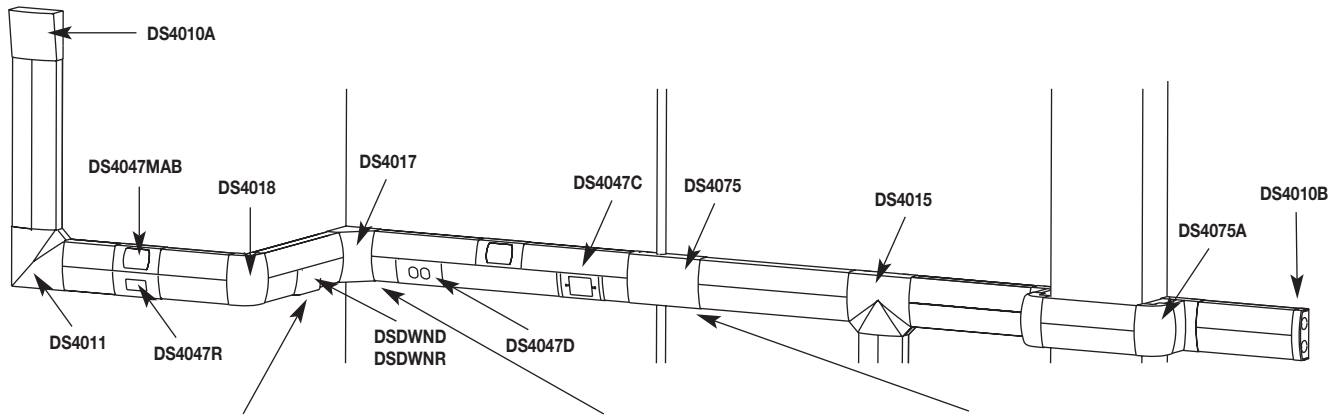
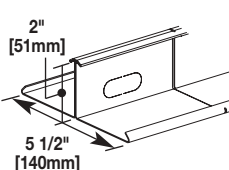
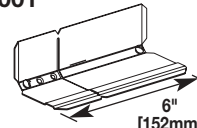
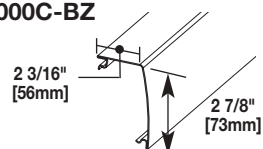
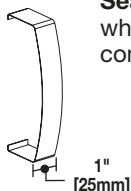
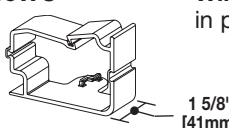
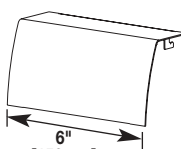


System Layout



DS4000 Series Raceway Fittings Ordering Information

Catalog No./Item	Description/Specifications	Catalog No./Item	Description/Specifications
DS4000B	 <p>Raceway Base – .040" [1.0mm] galvanized steel. Base has two 9/32" [7.1mm] diameter mounting holes on centers of approximately 4" [102mm] and pass through KOs on 8" [203mm] centers throughout. Packed four 10' [3.05m] lengths per carton.</p>	DS4001	 <p>Adjust-to-Fit™ Coupling – For joining lengths of DS4000B together. Sold in pairs.</p>
DS4000C-DV DS4000C-BK DS4000C-DG DS4000C-BZ	 <p>Raceway Cover – .040" [1.0mm] galvanized steel. Packed eight 5' [1.5m] lengths per carton.</p>	DS4006-DV DS4006-BK DS4006-DG DS4006-BZ	 <p>Seam Clip – For covering seams where two sections of DS4000C come together.</p>
DS4000WC	 <p>Wire Clip – For holding conductors in place.</p>	DS4006B-DV DS4006B-BK DS4006B-DG DS4006B-BZ	 <p>Half Seam Clip/Blank Faceplate – For covering seams where two sections of DS4000C Cover come together. Can also be used as a blank faceplate.</p>

NOTE: "-DV" suffix indicates Designer Ivory color, "-DG" suffix indicates Designer Gray color, "-BK" suffix indicates Matte Black color, and "-BZ" suffix indicates Metallic Bronze color.

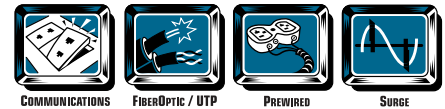
WIREMOLD



4000 Designer Series™ Steel Raceway

Innovative Raceway Profile Provides Increased Wiring Capacity

Available Factory Prewired



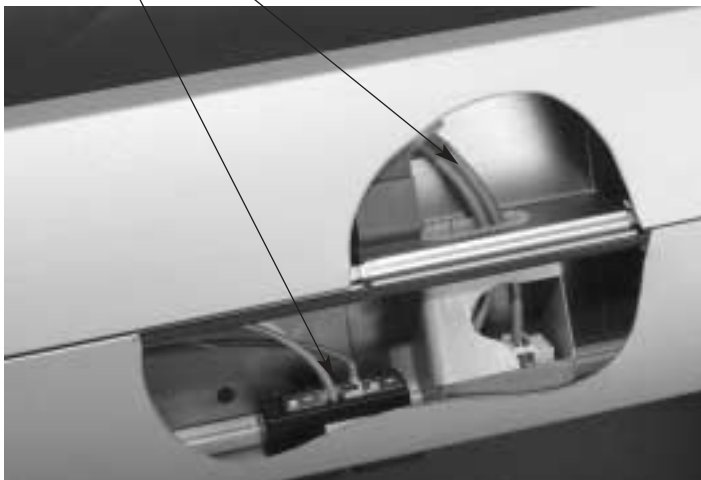
Introducing the next generation in innovative surface raceway systems. The new 4000 Designer Series™ Raceway from Wiremold/Legrand provides an aesthetically and functionally superior alternative to existing raceway profiles. DS4000™ Series Raceway includes a variety of innovative features and fittings that save installation time, cost less to specify, and provide 1/3 more wiring capacity than conventional box-style raceway profiles.

DS4000™ Series Raceway is a dual service steel raceway, with twin covers and a built-in divider that provides full isolation of services. With its increased capacity and unique downward-facing activation capabilities, DS4000™ Series Raceway is ideal for any commercial, institutional, or industrial application requiring a high capacity metal raceway.



DS4000™ Raceway in a contemporary office environment.

Power Data



Sectioned view illustrating internal crossover capability, allowing adjacent downward facing power and data activations. Raceway profile meets or exceeds EIA/TIA bend radius requirements.



DS4000™ Series Raceway prewired with streamlined downward facing power and data activations.