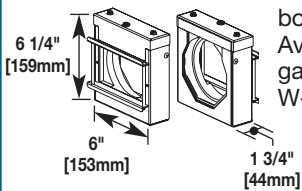
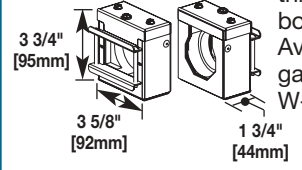
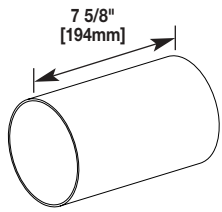
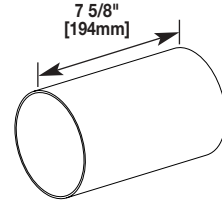
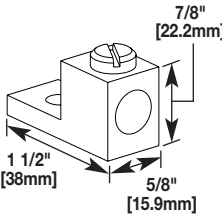
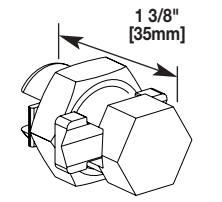
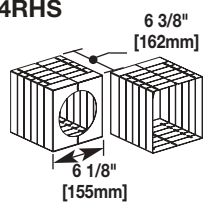
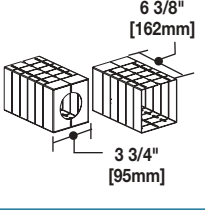
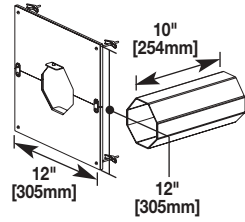
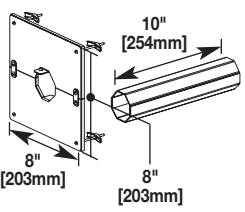
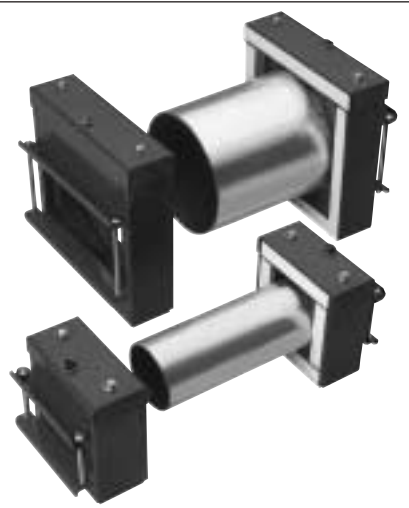


## FlameStopper Thru-Wall/Floor Fitting Ordering Information

Catalog No./Item	Description/Specifications
<b>FS4R-RED</b> <b>FS4R-GA</b>	<b>Firestop 4" Trade EMT Conduit Fitting</b> – For transitioning cable through fire rated walls/floors for both new and retrofit applications. Available in red (RED), or G90 galvanized finish (GA). UL System W-L-3264 and W-J-3137.
	
<b>FS2R-RED</b> <b>FS2R-GA</b>	<b>Firestop 2" Trade EMT Conduit Fitting</b> – For transitioning cable through fire rated walls/floors for both new and retrofit applications. Available in red (RED), or G90 galvanized finish (GA). UL System W-L-3264 and W-J-3137.
	
<b>FSPCC4758</b>	<b>Precut Conduit 4" Trade Size EMT</b> – Precut to 7 5/8" [194mm] to fit standard gypsum fire walls with a two-hour fire rating (6" [152mm] wall thickness).
	
<b>FSPCC2758</b>	<b>Precut Conduit 2" Trade Size EMT</b> – Precut to 7 5/8" [194mm] to fit standard gypsum fire walls with a two-hour fire rating (6" [152mm] wall thickness).
	
<b>SPMGL</b>	<b>Grounding Lug</b> – For use with SpecMate™ or Cablofil® brand cable trays to provide ground continuity. Electroplated aluminum. Dual rated for copper and aluminum conductors, No. 2 to 14 gage cable.
	
<b>WBSBC</b>	<b>Split Bolt Connector</b> – For use with Cablofil® brand wire basket trays to provide ground continuity. Electroplated aluminum. Dual rated for copper and aluminum conductors, No. 2 to 8 gage cable.
	
<b>FS4RHS</b>	<b>Heat Shield 4" Trade Size Conduit</b> – Used only when an existing installed conduit extends 1" [25mm] to 6" [152mm] beyond the wall surface.
	
<b>FS2RHS</b>	<b>Heat Shield 2" Trade Size Conduit</b> – Used only when an existing installed conduit extends 1" [25mm] to 6" [152mm] beyond the wall surface.
	
<b>FS4RWP12</b>	<b>Retrofit Kit for Existing Installations</b> – Kit includes 4" trade size split conduit sleeve to enclose existing cables, and 12" x 12" [305mm x 305mm] ceramic heat protected wall plate to cover irregular hole cuts. For use with FS4R Series Firestop.
	
<b>FS2RWP8</b>	<b>Retrofit Kit for Existing Installations</b> – Kit includes 2" trade size split conduit sleeve to enclose existing cables, and 8" x 8" [203mm x 203mm] ceramic heat protected wall plate to cover irregular hole cuts. For use with FS2R Series Firestop.
	
	
<p><i>The FlameStopper Thru-Wall/Floor Fitting consists of two box assemblies with adjustable steel doors that attach to EMT conduit. Intumescent firestopping material is factory installed and no other firestopping material is required.</i></p>	

## FS Series Thru-Wall / Floor Fittings for New & Retrofit Fire Wall / Floor Applications

The new FlameStopper Thru-Wall/Floor Fittings\* from Wiremold / Legrand have been redesigned to provide firestopping solutions for both new and retrofit applications. Flamestopper Thru-Wall/Floor Fittings provide installers with a variety of UL Classified ready-to-use options for transitioning cables through firewalls and floors to ensure that the integrity of the fire rating is maintained. These fittings have been tested by Underwriters Laboratories Inc. to ASTM E814 UL1479, Fire Tests of Through-Penetration Firestops. The Flamestopper Thru-Wall/Floor Fittings offer a passive fire and life safety system with ratings up to four hours (with or without cables installed) to complement existing sprinkler systems and up to three hours for through floor applications.

\* Patent pending



FlameStopper Thru-Wall / Floor Fittings make it easy to add cables and maintain the UL rating.

### Features & Benefits

- **Designed for use in either new or retrofit applications.** With the use of retrofit kit, Flamestopper can be used to provide firestopping to existing through-wall/floors cable penetrations or for new installations.
- **Classified to U.S. and Canadian safety standards by Underwriters Laboratories Inc. for use in through-penetration firestop systems only.** Up to four-hour F and T ratings ensures product will maintain the integrity of fire rated walls or floors whether empty, partially filled or fully loaded. See chart on back page or UL Fire Resistance Directory (link provided on Wiremold website) for ratings with specific cables.
- **Low air (smoke) leakage.** UL tested with L Ratings from 1.9 to 5.9 cfm (cubic feet per minute).
- **Plenum rated.** Tested to UL 2043 and determined to be suitable for air handling spaces (plenums).
- **Built-in Firestopping expands with exposure to heat.** Engineered for rapid expansion when exposed to fire or high temperatures to quickly seal the pathway and prevent the passage of flames and smoke.
- **Clean, professional installation.** Appeals to owners, tenants, and inspection authorities.
- **Easy to inspect.** FlameStopper Thru-Wall/Floor Fittings are offered standard in a bright, easy-to-identify powder coat red or G90 finish complete with preprinted label for the installer to fill out prior to inspection approval. From installation to full cable load, the fitting remains firestopped and compliant.
- **Easy to add or remove cables.** Simply adjust the doors to accommodate cables as desired without the need to remove, add, or adjust firestopping intumescent materials.
- **Retrofit kit for existing installations.** A split conduit for installations where no conduit is installed, large firestopped wall plate for irregular hole penetrations, and a heat shield for existing extended conduit lengths, allow for firestopping virtually any existing condition without the need for repudding with firestop material after installation.
- **Mechanical doors provide steel barrier between rooms.** Fittings may be pre-installed for anticipated future cabling requirements. Fire ratings are preserved while doors remain closed to block off the opening until cables are installed.
- **Use with any wall thickness.** Fittings are shipped in pairs and installed on both sides of a wall fitted with a 2" or 4" piece of trade size EMT conduit.
- **Use with concrete floor with minimum of 4 1/2" [114mm] depth.**

Designed for use with SpecMate™ and Cablofil® brand cable trays as well as other Wiremold pathways. See the Wiremold website at [www.wiremold.com](http://www.wiremold.com) for details. For custom options, please consult the factory.