

WIREMOLD



FloorPort Series Activation Covers

For use with RFB6 Series Floor Boxes

INSTALLATION INSTRUCTIONS

Installation Instruction No.: 1 007 284 – November 2007

Wiremold / Legrand electrical systems conform to and should be properly grounded in compliance with requirements of the current National Electrical Code or codes administered by local authorities.

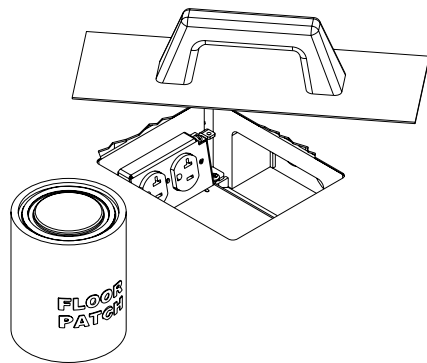
All electrical products may present a possible shock or fire hazard if improperly installed or used. Wiremold / Legrand electrical products may bear the mark as UL Listed and/or Classified and should be installed in conformance with current local and/or the National Electrical Code.

IMPORTANT: Please read all instructions before beginning.

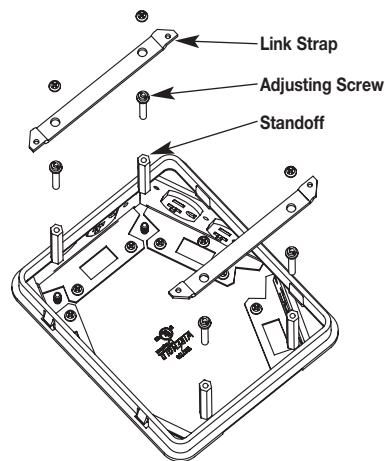
Products Covered: S38 & S39 Series Covers.

TRIM FLANGE INSTALLATION:

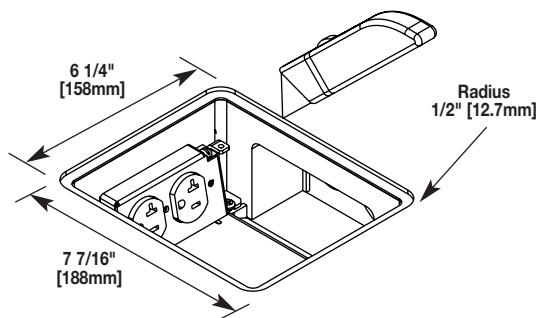
1. Before installing Cover, repair any cracks or chips around the Preset or Floor Box opening using a suitable grout or repair compound.



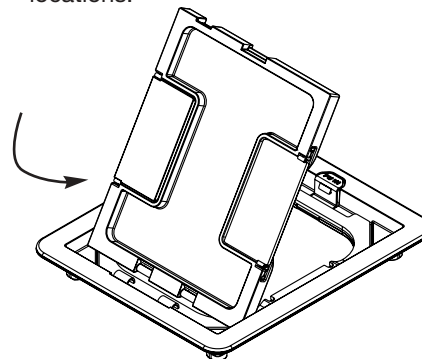
2. Install standoffs, adjusting screws, and link straps as shown.



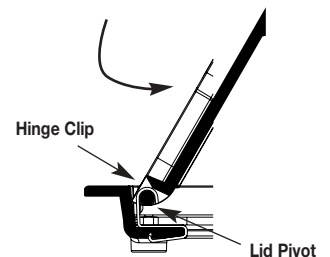
3. (S38 Series – Carpet Installation)
Cut opening in Carpet as indicated in illustration.



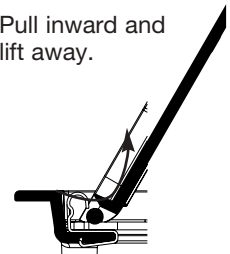
4. Remove Lid from Flange by pushing downward and inward. The Lid must be removed to access Rear Attachment Screw locations.



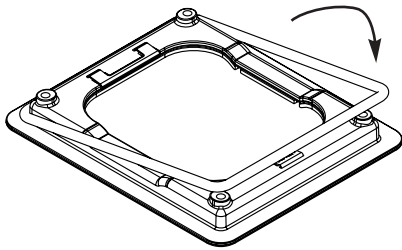
- 4a. Push downward to un-clip from Hinge.



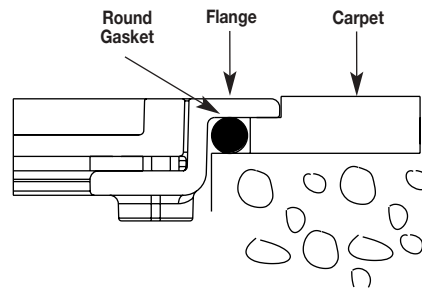
- 4b. Pull inward and lift away.



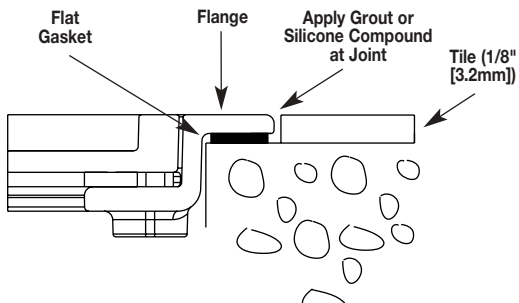
4. **(S38 Series – Carpet Installation)** Place round Gasket onto the underside of the Trim Ring.



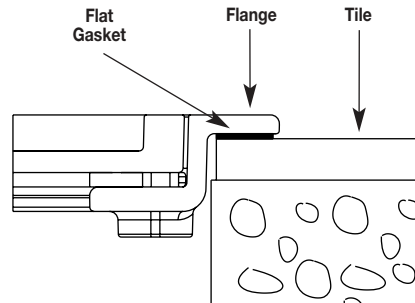
5. **(S38 Series – Carpet Installation)** Installation view of round Gasket and Carpet.



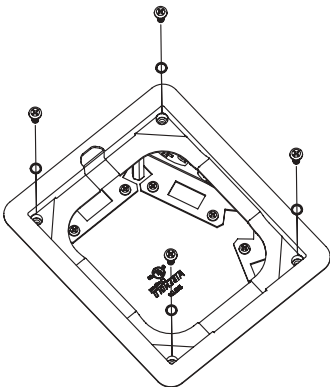
6. **(S38 Series – Flush Tile Installation)** Place flat Gasket under Trim Ring prior to positioning on concrete.



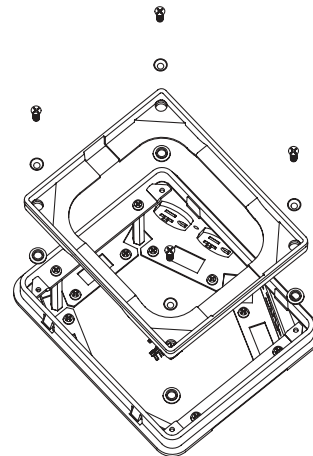
7. **(S38 Series – Surface Mount Tile Installation)** Place flat Gasket under Trim Ring prior to positioning over Tile.



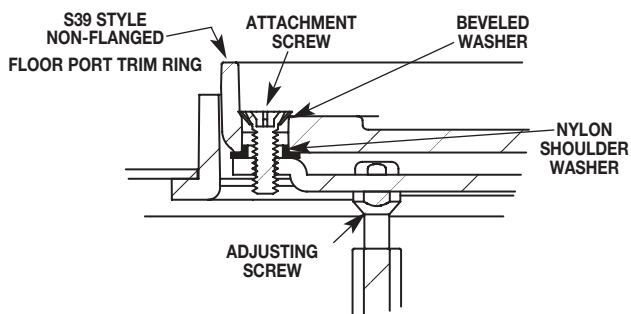
8. **(S38 Series)** Slide sealing Washer over Attachment Screw and mount Flange to Link Straps.



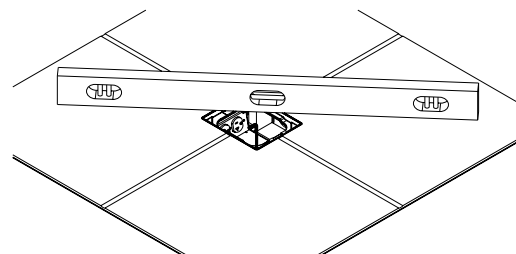
9. **(S39 Series)** Insert attachment screws into the beveled washers and through the flanges. Insert nylon shoulder washer from the under side and secure to the link strap.



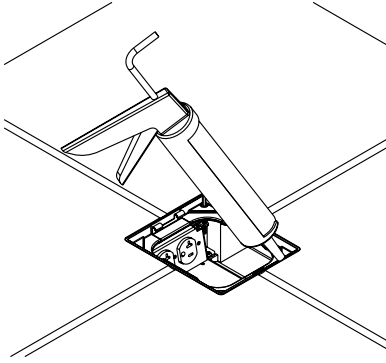
10. **(S39 Series – Flush Installation)** Top of Flange adjusted flush with Floor Covering.



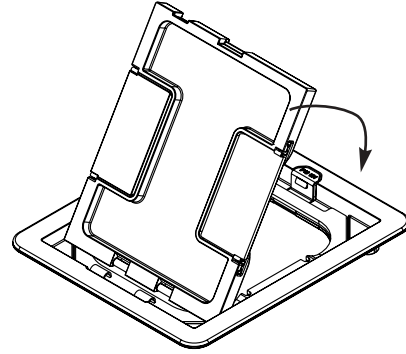
11. **(S39 Series – Flush Installation)** Confirm top edge of Flange is level with Floor Covering with Level or Straight Edge.



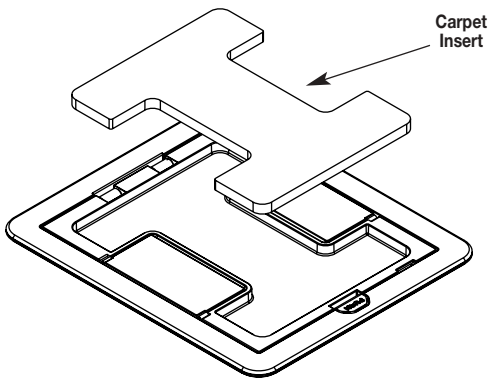
12. (S39 Series – Flush Installation) Seal edge of Flange with Grout or Silicone.



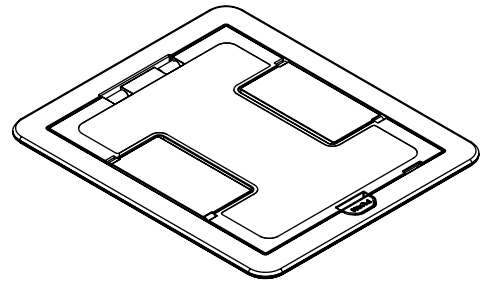
13. Re-attach Lid in Trim Ring.



14. (S38CC & S39CC Series – Carpet Installation) Cut Carpet Insert and mount to Lid with Carpet Tape or Glue.



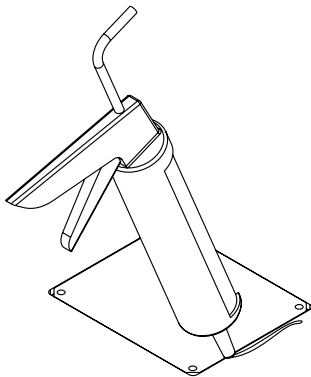
15. Installation complete.



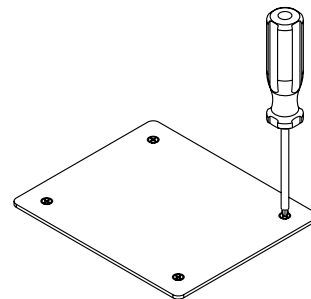
ABANDONMENT

1. Cat. No. S3AXB

For abandonment, remove Cover Assembly and install 1/4" [6.4mm] Steel Plate using four Leveling Screws provided. Top of Plate should be flush with finished Floor. Apply a bead of silicone caulking around the Bottom Plate to prevent any water or debris entry.



2. Place 1/8" [3.2mm] aluminum Top Plate over the Bottom Plate. Install the four Screws provided to secure the two Plates.



WIREMOLD



© Copyright 2007 Wiremold / Legrand All Rights Reserved

Wiremold Legrand

U.S. and International:

60 Woodlawn Street • West Hartford, CT 06110

1-800-621-0049 • FAX 860-232-2062 • Outside U.S.: 860-233-6251

Canada:

570 Applewood Crescent • Vaughan, Ontario L4K 4B4

1-800-723-5175 • FAX 905-738-9721

1 007 284 November 2007 - For latest specs visit www.wiremold.com

