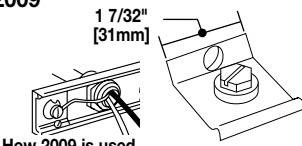
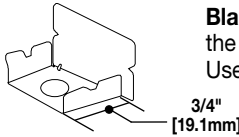
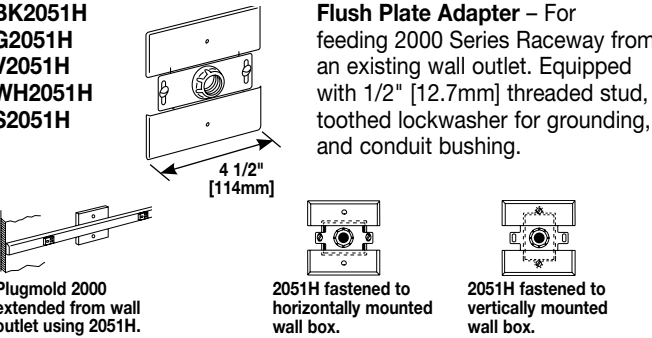
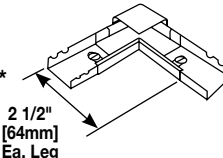
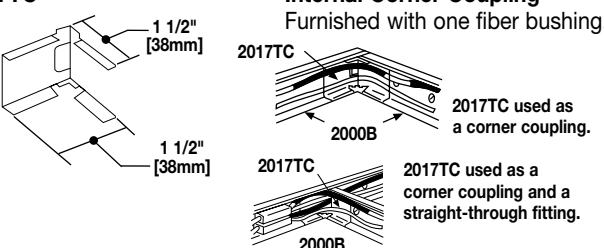
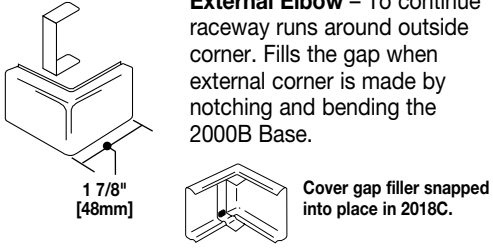
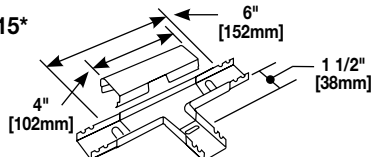
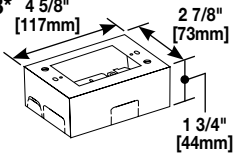
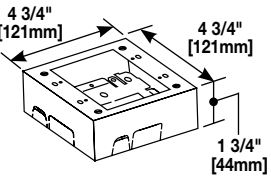
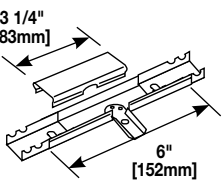
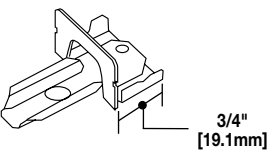
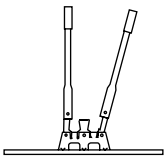


## 2000 Series Raceway Fittings Ordering Information (continued)

Catalog No./Item	Description/Specifications
<p><b>2009</b></p>  <p>How 2009 is used.</p>	<p><b>Ground Clamp</b> – For connection of equipment grounding conductor to provide additional ground to raceway. Use with 2000 Series Raceway.</p>
<p><b>BK2010B*</b> <b>G2010B*</b> <b>V2010B*</b> <b>WH2010B*</b> <b>S2010B*</b></p> 	<p><b>Blank End Fitting</b> – For closing the open end of raceway. Use with 2000 Series Raceway.</p>
<p><b>BK2051H</b> <b>G2051H</b> <b>V2051H</b> <b>WH2051H</b> <b>S2051H</b></p>  <p>Plugmold 2000 extended from wall outlet using 2051H.</p> <p>2051H fastened to horizontally mounted wall box.</p> <p>2051H fastened to vertically mounted wall box.</p>	<p><b>Flush Plate Adapter</b> – For feeding 2000 Series Raceway from an existing wall outlet. Equipped with 1/2" [12.7mm] threaded stud, toothed lockwasher for grounding, and conduit bushing.</p>
<p><b>BK2011*</b> <b>G2011*</b> <b>V2011*</b> <b>WH2011*</b> <b>S2011*</b></p> 	<p><b>90° Flat Elbow</b> – For right angle turns on same surface. Cover stop permits neat butting of 2000C Cover. Two couplings furnished.</p>
<p><b>2017TC</b></p>  <p>2017TC used as a corner coupling.</p> <p>2017TC used as a corner coupling and a straight-through fitting.</p>	<p><b>Internal Corner Coupling</b> – Furnished with one fiber bushing.</p>
<p><b>BK2018C*</b> <b>G2018C*</b> <b>V2018C*</b> <b>WH2018C*</b> <b>S2018C*</b></p>  <p>Cover gap filler snapped into place in 2018C.</p>	<p><b>External Elbow</b> – To continue raceway runs around outside corner. Fills the gap when external corner is made by notching and bending the 2000B Base.</p>
<p><b>BK2015*</b> <b>G2015*</b> <b>V2015*</b> <b>WH2015*</b></p> 	<p><b>Tee</b> – For branches at right angles. Couplings furnished.</p>
<p><b>BK2048*</b> <b>G2048*</b> <b>V2048*</b> <b>WH2048*</b> <b>S2048*</b></p> 	<p><b>Single Gang Device Box</b> – Cover has twistouts for 2000, 500, and 700 Series Raceway. Base has 1/2" trade size KO and rectangular KO for extension to wall box. Base has #10 threaded hole for ground connection.</p>
<p><b>V2048-2</b> <b>G2048-2</b></p> 	<p><b>Two-Gang Device Box</b> – Cover has G2048-2 Twistouts for 2000, 500, and 700 Series Raceway. Base has 1/2" trade size KO and rectangular KO for extension to wall box. Base has #10 threaded hole for ground connection.</p>
<p><b>V2089</b></p> 	<p><b>Side Reducing Connector</b> – For connecting 2000 Series Raceway with 500 Series Raceway through side of 2000 Series Raceway.</p>
<p><b>V2089E</b></p> 	<p><b>End Reducing Connector</b> – For connecting 2000 Series Raceway with 500 Series Raceway through end of 2000 Series Raceway.</p>
<p><b>620BCK</b></p>	<p><b>Replacement Blade Kit</b> – Replacement blades and die set for 620 Cutter.</p>
<p><b>620</b></p> 	<p><b>2000 Raceway Base and Cover Cutter</b> – Portable cutter for 2000 Series Raceway Cover and Base. Tooled steel construction for clean and easy square cuts every time. Total manual operation.</p>

\* "V" prefix indicates Ivory ScuffCoat™ finish, "BK" for Black ScuffCoat™ finish, "G" prefix for Gray enamel finish, "WH" for white enamel finish, and "S" for stainless steel.