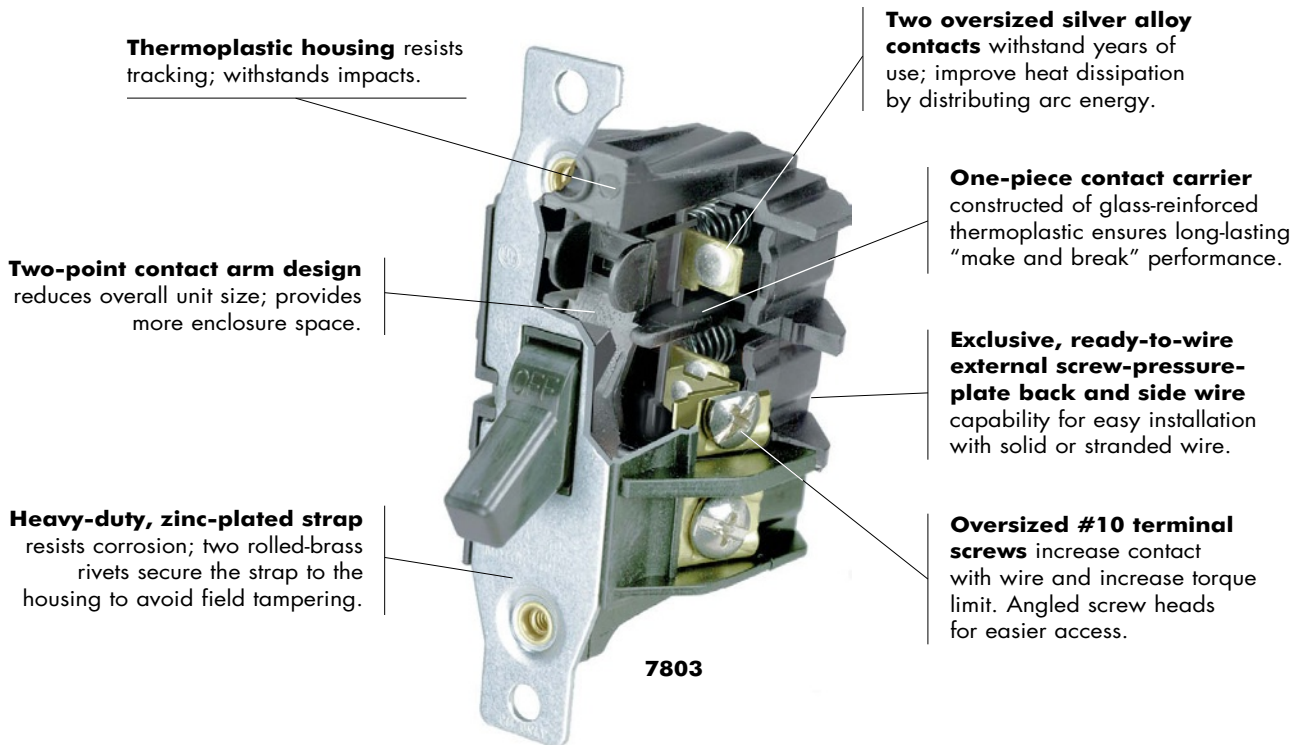


Switches Manual Controllers



NEMA Type Enclosures

NEMA Type 1 Enclosures – Intended for indoor use primarily to provide a degree of protection against limited amounts of falling dirt in locations where unusual service conditions do not exist.

NEMA Type 7 Enclosures – Intended for indoor use in locations classified as Class 1, Group A, B, C, or D, as defined in the National Electrical Code. They shall be capable of withstanding the pressures resulting from an internal explosion of specified gases, and contain such an explosion sufficient that an explosive gas-air mixture existing in the atmosphere surrounding the enclosure will not be ignited. Enclosed heat generating devices shall not cause external surfaces to reach temperatures capable of igniting explosive gas-air mixtures in the surrounding atmosphere. Enclosures shall meet explosion, hydrostatic, and temperature design tests.

NEMA Type 3R Enclosures – Intended for outdoor use primarily to provide a degree of protection against rain and sleet; and to be undamaged by the formation of ice on the enclosure. They are not intended to provide protection against conditions such as internal condensation, or internal icing.

NEMA Type 9 Enclosures – Intended for indoor use in locations classified as Class II, Groups E, F, or G, as defined in the National Electrical Code. They shall be capable of preventing the entrance of dust. Enclosed heat generating devices shall not cause external surfaces to reach temperatures capable of igniting or discoloring dust on the enclosure or igniting dust-air mixtures in the surrounding atmosphere. Enclosures shall meet dust penetration and temperature design tests, and aging of gaskets (if used).

Switches Manual Controllers

60A NEMA 3R Manual Controller
20 & 30A 1ø



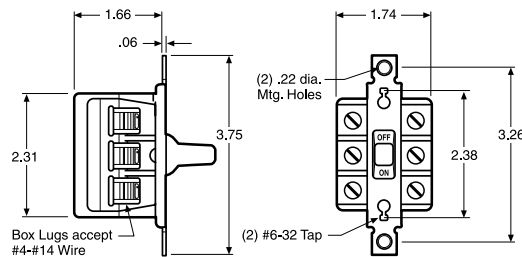
Pass & Seymour

Features	
<ul style="list-style-type: none"> High horsepower rating, up to 3 HP for heavy duty applications. Compact design provides ease of installation. Box lug terminals. Single piece moveable and stationary contact arms with oversized silver cadmium buttons provides excellent continuity and long life. Made in USA. 	<ul style="list-style-type: none"> Wire pockets and thick wall arc barriers. Cold-rolled steel NEMA 3R enclosure with polyester urethane finish conforms to OSHA lockout requirements. Type 3R enclosure has 2-1/2", 3/4" and 1" concentric knockouts on bottom. Accepts #4 AWG. cULus listed.



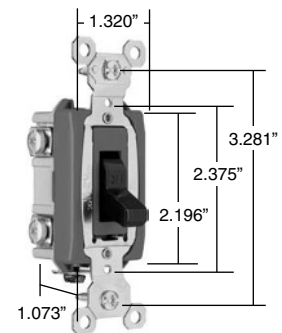
7863R

Catalog Number	Description	Rating			
		A.	VAC	HP	VAC
Double Pole Manual Motor Controller					
7862R	Double Pole AC Manual Motor Controller in a NEMA 3R Enclosure	60	600 max.	3 5 15 15	120 240 480 600
7862	Double Pole AC Manual Motor Controller	60	600 max.	Same as 7862R	
Three Pole Manual Motor Controller					
7863R	Three Pole AC Manual Motor Controller in a NEMA 3R Enclosure	60	600 max.	5 10 20 30	120 240 480 600
7863	Three Pole AC Manual Motor Controller	60	600 max.	Same as 7863R	
NEMA 3R Enclosure					
7860	NEMA 3R Enclosure for 7862 & 7863				



Features	
<ul style="list-style-type: none"> Oversize silver contacts for long life and better heat dissipation. Single phase switches are side wired with #14 – #10 AWG copper or copper-clad conductors. 	<ul style="list-style-type: none"> Shallow design for ease of installation. 2-3/4" hubs (HP30EX).

Catalog Number	Description	Rating			
		A.	VAC	HP	VAC
Double Pole, Single Phase					
PS20AC2HP	Double Pole, Single Phase AC Manual Motor Starting Switch (No overload protection)	20	120/277	1 2	120 240
PS30AC2HP	Double Pole, Single Phase AC Manual Motor Starting Switch (No overload protection)	30	120/277	1 2	120 240
HP30EX	PS30AC2HP in a NEMA 7 & 9 Enclosure for Hazardous Locations Class I – Groups C, D; Class II – Groups E, F, G	Same as PS30AC2HP			



PS20AC2HP
PS30AC2HP

All devices listed on this page conform to NEMA WD-1 and WD-6.