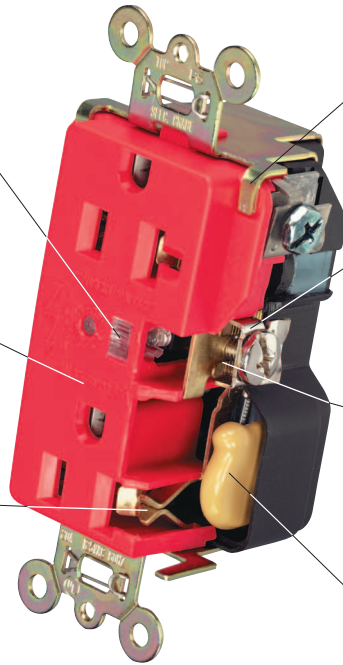


**Solid-state LED monitor has 25-year minimum life expectancy.** A high visibility, wide-angle lens indicates protection is in place.

**Impact-resistant nylon exterior** and rugged internal components meet stringent, hospital grade specifications.

**Triple-wipe, copper-alloy contacts** for superior, more dependable connection.

**Audible alarm alert of MOV damage. Alarm able to be turned On/Off.**



5362-REDSP

**Wrap-around steel strap** for structural integrity. Auto-ground is standard, for easier installation.

**External screw-pressure-plate back and side wire terminals including ground with external back wire clamps (exclusive)** accept #14 – #10 AWG copper or copper-clad, solid or stranded conductors. External pressure plate feature allows two conductors to be terminated by a single screw.

**Wave-soldered circuit board encapsulated in epoxy** provides superior electrical, mechanical, and thermal stability.

**Thermal protection in 3 modes. 3 18mm dual pack MOVs absorb up to 210 Joules** of excess energy in each leg (L-N, L-G, N-G) with 13,000 amp current handling capability for full, equal, and symmetrical protection. With 150V rating, each MOV is less susceptible to common spikes that degrade 130V varistors. Protection response time in less than one nanosecond.

**TVSS offering with increased transient protection and reliability — for industrial, commercial, and residential applications in the electronics age.**

## Index

Device	Rating	Page Number
TVSS Product Description		F-2
Product Specifications		F-3
TVSS Hospital Grade & Isolated Ground Receptacles	15 & 20A, 125VAC	F-4
TVSS Specification Grade Receptacles	15 & 20A, 125VAC	F-5
Panel TVSS Units – Light, Medium- & Heavy-Duty	120/240VAC 1 $\phi$ , 120/208VAC 3 $\phi$ Y, 277/480VAC 3 $\phi$ Y, 480VAC 3 $\phi$ Y Delta, 240VAC 3 $\phi$ Delta, 240VAC 3 $\phi$ Delta High Reg, 120/240VAC 1 $\phi$ , 120/208VAC 3 $\phi$ Y, 277/480VAC 3 $\phi$ Y, 480VAC 3 $\phi$ Delta	F-6, F-7
Isolated Ground Product Description		F-8, F-9
PlugTail™ Isolated Ground Receptacles	15 & 20A, 125V	F-10
Isolated Ground Receptacles	15 & 20A, 125V; 20A, 250V	F-11, F-12
Turnlok® Isolated Ground Receptacles	15, 20 & 30A	F-13
Power & TVSS Strips & Device Specifications		F-14, F-15

## TVSS & Isolated Ground Product Description – TVSS



### Transient Voltage Surge Suppressor

Office buildings, schools, hospitals, and your own home; the use of microprocessor-based equipment has become prevalent in all day-to-day environments. Commercial and industrial facilities have computer systems, fax machines, and automation equipment. Retail locations have sophisticated cash registers and electronic scanning and security systems. At home, we have stereos, personal computers, TVs, and VCRs. In today's world we are dependent on (and take for granted) the performance of all this sophisticated yet sensitive equipment.

All microprocessor-based equipment is extremely sensitive to momentary spikes and surges that occur daily over AC circuits. Sources for these transient spikes and surges range from lightning and utility switching to inductive load switching such as air conditioners, power tools, vacuum cleaners, and copy machines. Externally or internally induced, high energy spikes and surges are capable of causing catastrophic instantaneous damage or cumulative transients that continue to erode the effectiveness of the equipment, hindering performance until it prematurely fails.

The best line of defense for any location is a coordination of protection at the service entrance, branch service locations, and at the point of use. Pass & Seymour/Legrand®'s TVSS products offer single and multi-phase panel-mounted units for installation at the main service entrance and branch distribution locations and a full line of receptacles and portable/plug-in units with multiple outlets, phone, and data protection. This full package allows you to cost effectively provide the right protection for your specific application.

# TVSS & Isolated Ground Product Specifications

Pass & Seymour



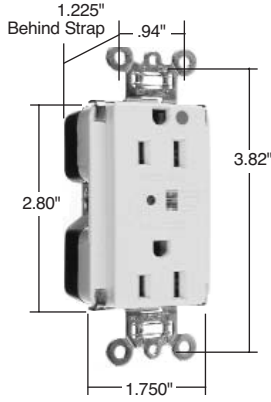
## Specifications – Hospital Grade, Specification Grade and Isolated Ground Receptacles

- UL1449 (latest revision). (1.2 x 50 $\mu$ s 6000V, 8 x 20 $\mu$ s 3000A).
- 210 joules of energy absorption in each of the three modes.
- 13,000 amps current handling capability in each of three modes: line to neutral, line to ground, neutral to ground.
- 1 filtering capacitor for 7 to 1 average noise reduction.
- Nominal let-through (suppressed) voltage in all 3 modes, 500V.
- Audible alarm able to be turned on/off.
- LED indicator light.
- Response time less than 1 nanosecond for unmounted MOV.
- Overcurrent protection in all 3 modes.
- Electronic components potted for electrical, mechanical and thermal stability.
- Thermal protection in all 3 modes.
- Leakage current: 0.5 mA at 25°C/120VAC.
- 3 18mm dual pack MOVs to suppress transients in all modes – equally.
- Common mode noise attenuation: 500 KHz to 30 MHz; up to 35 dB (50 ohm source impedance)
- Varistor voltage: 150V RMS.
- Back and side wire capability including ground terminal.
- Operating temperature: -40°C to 85°C (-40°F to 185°F)
- Isolated Ground version complies with NEC 410-56 (C) and 250-146.
- Conforms to the latest revision ANSI/IEEE C62.41 (formerly IEEE 587), ANSI/IEEE C62.45.

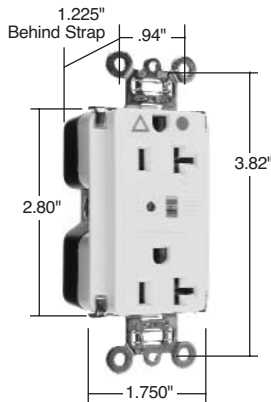
## Specifications – Commercial Grade & Turnlok® Receptacles

- UL1449 (latest revision). (1.2 x 50 $\mu$ s 6000V, 8 x 20 $\mu$ s 3000A).
- 130 joules of energy absorption in each of the three modes.
- 9,000 amps current handling capability in each of three modes; line to neutral, line to ground, neutral to ground.
- 1 filtering capacitor for 7 to 1 average noise reduction.
- Nominal let-through (suppressed) voltage in all 3 modes, 500V.
- LED indicator light.
- Response time less than 1 nanosecond for unmounted MOV.
- Overcurrent protection in all 3 modes.
- Electronic components potted for electrical, mechanical and thermal stability.
- Thermal protection in all 3 modes.
- Leakage current: 0.5 mA at 25°C/120VAC.
- 3 18mm super MOVs to suppress transients in all modes – equally.
- Common mode noise attenuation: 500 KHz to 30 MHz; up to 35 dB (50 ohm source impedance)
- Varistor voltage: 150V RMS.
- Back and side wire capability including ground terminal.
- Operating temperature: -40°C to 85°C (-40°F to 185°F)
- Conforms to the latest revision ANSI/IEEE C62.41 (formerly IEEE 587), ANSI/IEEE C62.45.

Pass & Seymour



8200-ISP



IG8300-ISP

# TVSS & Isolated Ground Hospital Grade TVSS Duplex Receptacles

2 Pole, 3 Wire Grounding 15 & 20A, 125VAC

**Audible Alarm with LED Indicator**

Catalog Number	Rating		NEMA Config. No.	Color	3rd Party Compliance			
	A.	VAC			UL1449	UL498	FSUL WC596	cUL/CSA
<b>Duplex Receptacles Back &amp; Side Wire</b>								
8200-ISP	15	125	5-15R	Ivory	•	•	•	•
8200-WSP	15	125	5-15R	White	•	•	•	•
8200-SP	15	125	5-15R	Brown	•	•	•	•
8200-GRYSP	15	125	5-15R	Gray	•	•	•	•
8200-REDSP	15	125	5-15R	Red	•	•	•	•
8200-LASP	15	125	5-15R	Light Almond	•	•	•	•
8200-BLSP	15	125	5-15R	Blue	•	•	•	•
8300-ISP	20	125	5-20R	Ivory	•	•	•	•
8300-WSP	20	125	5-20R	White	•	•	•	•
8300-SP	20	125	5-20R	Brown	•	•	•	•
8300-GRYSP	20	125	5-20R	Gray	•	•	•	•
8300-REDSP	20	125	5-20R	Red	•	•	•	•
8300-LASP	20	125	5-20R	Light Almond	•	•	•	•
8300-BLSP	20	125	5-20R	Blue	•	•	•	•
<b>Isolated Ground Duplex Receptacles Back &amp; Side Wire</b>								
IG8200-ISP	15	125	5-15R	Ivory	•	•	•	•
IG8200-WSP	15	125	5-15R	White	•	•	•	•
IG8200-GRYSP	15	125	5-15R	Gray	•	•	•	•
IG8200-LASP	15	125	5-15R	Light Almond	•	•	•	•
IG8200-BLSP	15	125	5-15R	Blue	•	•	•	•
IG8200-OSP	15	125	5-15R	Orange	•	•	•	•
IG8300-ISP	20	125	5-20R	Ivory	•	•	•	•
IG8300-WSP	20	125	5-20R	White	•	•	•	•
IG8300-GRYSP	20	125	5-20R	Gray	•	•	•	•
IG8300-LASP	20	125	5-20R	Light Almond	•	•	•	•
IG8300-BLSP	20	125	5-20R	Blue	•	•	•	•
IG8300-OSP	20	125	5-20R	Orange	•	•	•	•



NEMA 5-15R



NEMA 5-20R

All devices listed on this page conform to NEMA WD-1 and WD-6.

Conforms to the latest revision ANSI/IEEE C62.41 (formerly IEEE587), ANSI/IEEE C62.45.

# TVSS & Isolated Ground Specification Grade TVSS Duplex Receptacles

2 Pole, 3 Wire Grounding 15 & 20A, 125VAC

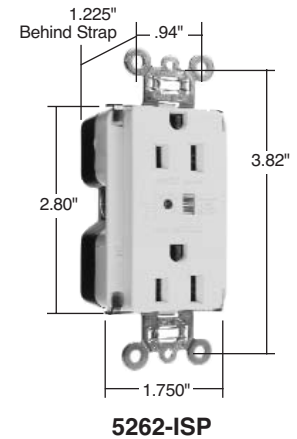
LED indicator only

Pass & Seymour

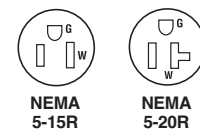
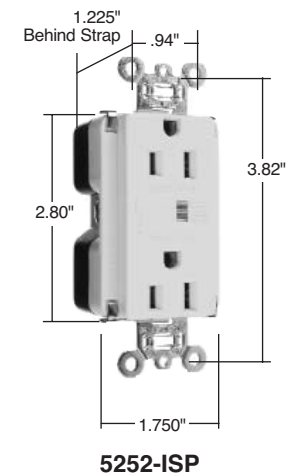


TVSS & Isolated Ground

Catalog Number	Rating		NEMA Config. No.	Color	3rd Party Compliance			
	A.	VAC			UL1449	UL498	FSUL WC596	cUL/CSA
<b>Extra Heavy-Duty Duplex Receptacles Back &amp; Side Wire*</b>								
5262-ISP	15	125	5-15R	Ivory	•	•	•	•
5262-WSP	15	125	5-15R	White	•	•	•	•
5262-SP	15	125	5-15R	Brown	•	•	•	•
5262-GRYSP	15	125	5-15R	Gray	•	•	•	•
5262-REDSP	15	125	5-15R	Red	•	•	•	•
5262-LASP	15	125	5-15R	Light Almond	•	•	•	•
5262-BLSP	15	125	5-15R	Blue	•	•	•	•
5362-ISP	20	125	5-20R	Ivory	•	•	•	•
5362-WSP	20	125	5-20R	White	•	•	•	•
5362-SP	20	125	5-20R	Brown	•	•	•	•
5362-GRYSP	20	125	5-20R	Gray	•	•	•	•
5362-REDSP	20	125	5-20R	Red	•	•	•	•
5362-LASP	20	125	5-20R	Light Almond	•	•	•	•
5362-BLSP	20	125	5-20R	Blue	•	•	•	•
<b>Isolated Ground Duplex Receptacles Back &amp; Side Wire</b>								
IG5262-ISP	15	125	5-15R	Ivory	•	•	•	•
IG5262-WSP	15	125	5-15R	White	•	•	•	•
IG5262-GRYSP	15	125	5-15R	Gray	•	•	•	•
IG5262-BLSP	15	125	5-15R	Blue	•	•	•	•
IG5262-OSP	15	125	5-15R	Orange	•	•	•	•
IG5362-ISP	20	125	5-20R	Ivory	•	•	•	•
IG5362-WSP	20	125	5-20R	White	•	•	•	•
IG5362-GRYSP	20	125	5-20R	Gray	•	•	•	•
IG5362-LASP	20	125	5-20R	Light Almond	•	•	•	•
IG5362-BLSP	20	125	5-20R	Blue	•	•	•	•
IG5362-OSP	20	125	5-20R	Orange	•	•	•	•



Catalog Number	Rating		NEMA Config. No.	Color	3rd Party Compliance			
	A.	VAC			UL1449	UL498	FSUL WC596	C22.2 No. 42
<b>Duplex Receptacles Back &amp; Side Wire*</b>								
5252-ISP	15	125	5-15R	Ivory	•	•	•	•
5252-WSP	15	125	5-15R	White	•	•	•	•
5252-GRYSP	15	125	5-15R	Gray	•	•	•	•
5252-LASP	15	125	5-15R	Light Almond	•	•	•	•
5252-BLSP	15	125	5-15R	Blue	•	•	•	•
5352-ISP	20	125	5-20R	Ivory	•	•	•	•
5352-WSP	20	125	5-20R	White	•	•	•	•
5352-GRYSP	20	125	5-20R	Gray	•	•	•	•
5352-LASP	20	125	5-20R	Light Almond	•	•	•	•
5352-BLSP	20	125	5-20R	Blue	•	•	•	•



\*For Configurable Solutions, see Page U-1.

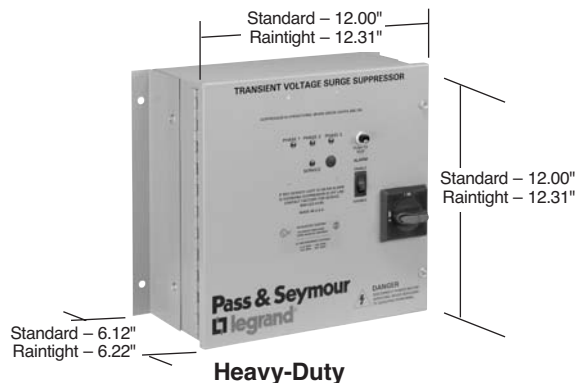
All devices listed on this page conform to NEMA WD-1 and WD-6. Conforms to the latest revision ANSI/IEEE C62.41 (formerly IEEE587), ANSI/IEEE C62.45.

Catalog Number	Description	Catalog Number	Description	Color
<b>Wall Plates for TVSS Duplex Receptacles</b>				
SS26	Stainless Steel Decorator	TP26-IG**	Thermoplastic Decorator	Orange
SS26-IG**	Stainless Steel Decorator	TP26-BL	Thermoplastic Decorator	Blue
SB26	Brass Decorator		**For Isolated Ground	

Spec. Grade TVSS Duplex Receptacles

# TVSS & Isolated Ground Panel TVSS Units – Light-, Medium- & Heavy-Duty

Catalog Number	Description
<b>Heavy-Duty – Single &amp; Three Phase</b>	
240-TDH	3ø Delta, 240VAC, 3 Wire and Ground
240-TDH4	3ø Delta, 240VAC, 3 Wire and Ground, Raintight
480-TDH	3ø Delta, 480VAC, 3 Wire and Ground
480-TDH4	3ø Delta, 480VAC, 3 Wire and Ground, Raintight
1220-TWH	3øY, 120/208VAC, 4 Wire and Ground
1220-TWH4	3øY, 120/208VAC, 4 Wire and Ground, Raintight
1224-SH	1ø, 120/240VAC, 3 Wire and Ground
1224-SH4	1ø, 120/240VAC, 3 Wire and Ground, Raintight
2748-TWH	3øY, 277/480VAC, 4 Wire and Ground
2748-TWH4	3øY, 277/480VAC, 4 Wire and Ground, Raintight



Rating	120/240VAC 1ø			120/208VAC 3øY	
	Heavy	Medium	Light	Heavy	Medium
<b>Specification</b>	Heavy	Medium	Light	Heavy	Medium
<b>Catalog No.</b>					
Standard	1224-SH	1224-SM	1224-SL	1220-TWH	*1220-TWM
Raintight	†1224-SH4			†1220-TWH4	
<b>Energy Rating</b>	7200	3600	1440	9600	4800
<b>Maximum Surge Capability</b> (8x20µs)	200KA	100KA	40KA	200KA	100KA
<b>Varistor Voltage</b>	150VRMS			150VRMS	
Phase A					
Phase B					
Phase C					
<b>UL1449 Clamping Voltage</b> (8x20µs; 500A)	500V			500V	
Phase A					
Phase B					
Phase C					
<b>Red LED</b>	1	1	0	1	1
<b>Green LED</b>	2	2	2	3	3
<b>Operating Temperature</b>	-40°C to +60°C			-40°C to +60°C	
<b>Audio Alarm</b>	Yes	Yes	No	Yes	Yes
<b>Alarm Disable Switch</b>	Yes	No	No	Yes	No
<b>Test Switch</b>	Yes	No	No	Yes	No
<b>Enclosure Material</b>	Steel Type 12	Steel Type 12	Noryl Type 12	Steel Type 12	Steel Type 12
<b>Connection Means</b>	Screw Terminals	18" Leads	18" Leads	Screw Terminals	18" Leads
Rotary Disconnect	8-14 AWG	12 AWG	12 AWG	8-14 AWG	12 AWG
Neutral & Ground	4-14 AWG			4-14 AWG	
<b>EMI/RFI Filtering</b>	Yes	Yes	No	Yes	Yes
<b>Flush Mount Capability</b>	Yes	Yes	No	Yes	Yes
<b>Form "C" Contact</b>	Yes	Yes	No	Yes	Yes

\*Product can be used for both applications.

†Raintight Enclosure Material – Steel Type 4.

Note: Raintight products do not have a test switch and the disable switch is located inside the panel door.

For Heavy-Duty – Replaceable modules available – consult factory.

For Heavy- & Medium-Duty – Remote supervisory modules available – consult factory.

# TVSS & Isolated Ground Panel TVSS Units – Light-, Medium- & Heavy-Duty

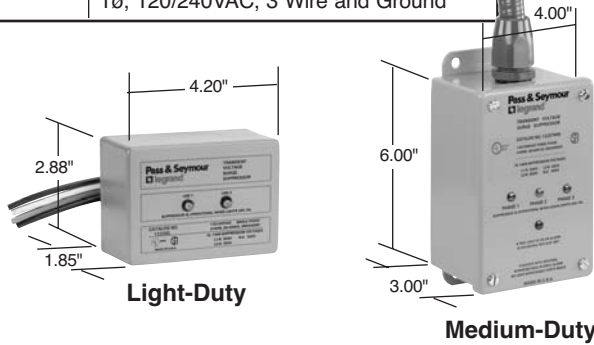
Pass & Seymour



TVSS & Isolated Ground

Catalog Number	Description
<b>Light-Duty – Single Phase</b>	
1224-SL	1 $\phi$ , 120/240VAC, 3 Wire and Ground

Catalog Number	Description
<b>Medium-Duty – Single &amp; Three Phase</b>	
240-TDM	3 $\phi$ , Delta 240VAC, 3 Wire and Ground
1220-TWM	3 $\phi$ , 120/208VAC, 4 Wire and Ground
1224-SM	1 $\phi$ , 120/240VAC, 3 Wire and Ground
2748-TWM	3 $\phi$ , 277/480VAC, 4 Wire and Ground



277/480VAC 3 $\phi$ Y		480VAC 3 $\phi$ Delta		240VAC 3 $\phi$ Delta		240VAC 3 $\phi$ Delta High Leg
Heavy	Medium	Heavy	Medium	Heavy	Medium	Medium
<b>2748-TWH</b> †2748-TWH4	* 2748-TWM	<b>480-TDH</b> †480-TDH4	*2748-TWM	<b>240-TDH</b> †240-TDH4	*1220-TWM	<b>240-TDM</b>
20000	10000	20000	10000	12900	4800	6100
200KA	100KA	200KA	100KA	200KA	100KA	100KA
320VRMS		550VRMS		275VRMS	150VRMS	150VRMS 250VRMS 150VRMS
1000V		1500V		800V	500V	500V 800V 500V
1	1	1	1	1	1	1
3	3	3	3	3	3	3
-40°C to +60°C		-40°C to +60°C		-40°C to +60°C		-40°C to +60°C
Yes	Yes	Yes	Yes	Yes	Yes	Yes
Yes	No	Yes	No	Yes	No	Yes
Yes	No	Yes	No	Yes	No	No
Steel	Steel	Steel	Steel	Steel	Steel	Steel
Type 12	Type 12	Type 12	Type 12	Type 12	Type 12	Type 12
Screw Terminals 8-14 AWG 4-14 AWG	18" Leads 12 AWG	Screw Terminals 8-14 AWG 4-14 AWG	18" Leads 12 AWG	Screw Terminals 8-14 AWG 4-14 AWG	18" Leads 12 AWG	18" Leads 12 AWG
Yes	Yes	Yes	Yes	Yes	Yes	Yes
Yes	Yes	Yes	Yes	Yes	Yes	Yes
Yes	Yes	Yes	Yes	Yes	Yes	Yes

**Definitions:**

- Audio Alarm** – Audio indicator of the loss of protection in one or more modes.
- Alarm Disable Switch** – Allows disengagement of audio alarm.
- Test Switch** – Tests the functionality of the audio alarm and red service light.
- Form "C" Contact** – Relay contacts available for monitoring of the protection status.

All devices listed on this page conform to NEMA WD-1 and WD-6.

Panel TVSS Units

# TVSS & Isolated Ground Isolated Ground Receptacles

**Orange color, IG symbol, and molded-in "Isolated Ground" markings** for easy I.D. and circuit delineation.

**Nylon strap on top** eliminates potential contact with isolated ground.

**Plastic barrier isolates grounding terminal** from mounting strap and conduit.

**Triple-wipe contacts** ensure lasting, positive contact with plug blades.

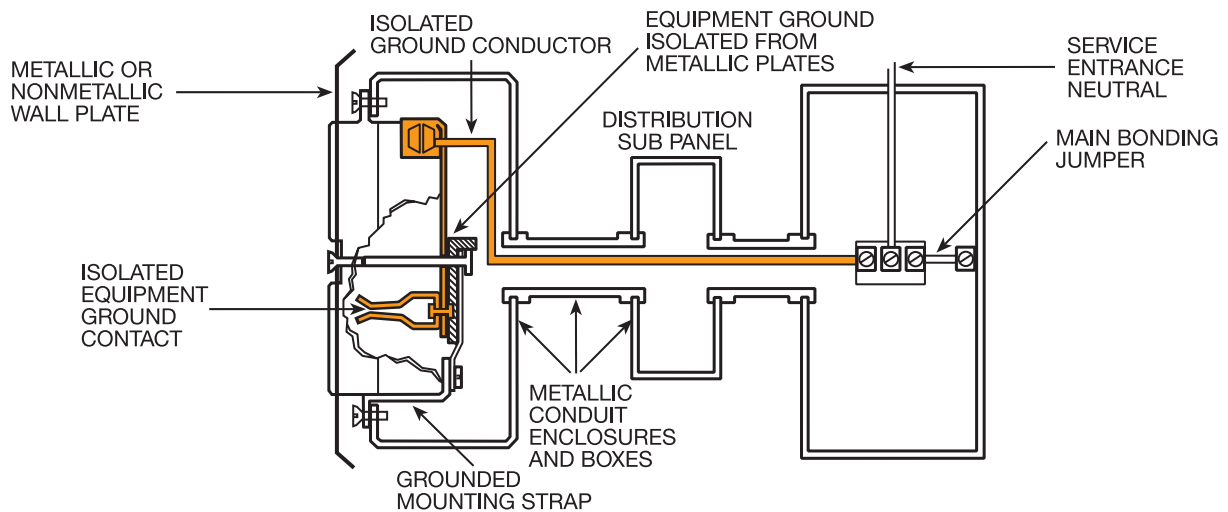
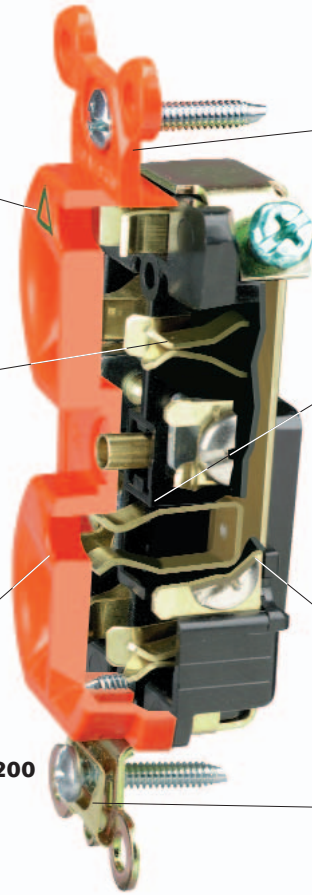
**Exclusive Turnlok® IG** single and duplex devices available.

**High-impact resistant nylon face** resists impacts and scrapes.

**Side and internal screw-pressure-plate back wire capability** with #14 – #10 AWG copper or copper-clad or stranded wire.

**IG6200**

**Auto-ground clip** assures positive ground.





# TVSS & Isolated Ground Product Description – Isolated Ground

Straight Blade & Turnlok®

Pass & Seymour

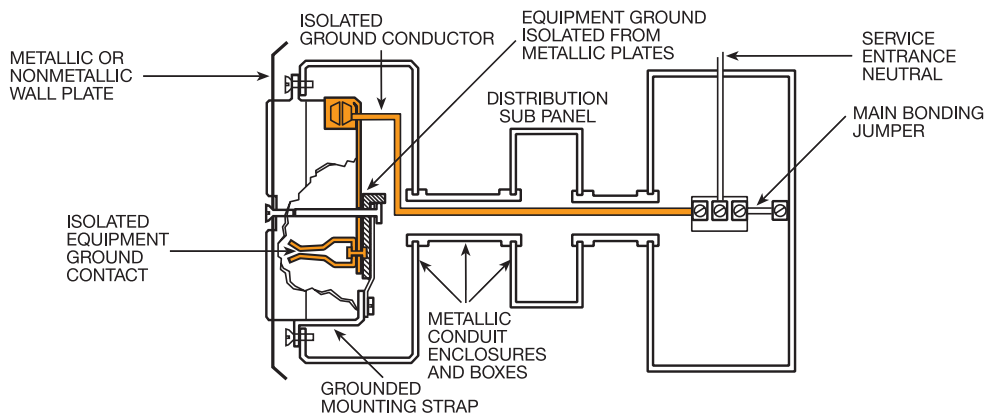


## The Problem of Electromagnetic Interference

Reduction of electromagnetic interference (EMI) in the electrical grounding system is essential for proper operation of many types of electronic equipment. In conventional grounding circuits, the conduit system is used as the grounding path. The conduit system is grounded at the service entrance and connected to intervening sub-panels, structural steel, and other grounded equipment. Although this will provide personnel and equipment protection, the entire conduit system becomes a large antenna which collects EMI (i.e., electrical noise) and transmits it throughout the grounding system. Whenever that occurs, the signals may adversely affect the performance of personal and small business computers, electronic testing and calibration equipment, and solid-state cash registers.

## The Pass & Seymour/Legrand® Solution

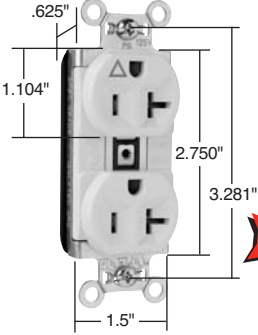
By running an insulated equipment grounding conductor directly to the neutral at the service entrance, and installing Pass & Seymour/Legrand Isolated Ground Receptacles, you effectively isolate the grounding circuit from the conduit grounding system. This significantly reduces the size of the antenna and limits the amount of EMI that can be picked up in the isolated grounding system. This provides a relatively noise-free grounding path and improves the operation of electronic equipment.



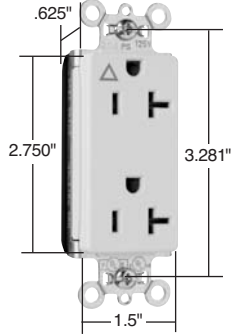
**2005 National Electrical Code® Section 250-146(d).** Where required for the reduction of electrical noise (electromagnetic interference) on the grounding circuit, a receptacle in which the grounding terminal is purposely insulated from the receptacle mounting means shall be permitted. The receptacle grounding terminal shall be grounded by an insulated equipment grounding conductor run with the circuit conductors. This grounding conductor shall be permitted to pass through one or more panelboards without connection to the panelboard grounding terminal as permitted in Section 384-20, Exception so as to terminate within the same building or structure directly at an equipment grounding conductor terminal of the applicable derived system or service.

**2005 National Electrical Code® Section 406-2(d).** **Isolated Ground Receptacles.** Receptacles intended for the reduction of electrical noise (electromagnetic interference) as permitted in Section 250-146(d), shall be identified by an orange triangle located on the face of the receptacle.

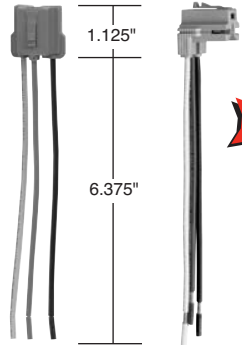
Pass & Seymour



PTIG5362-LA



PTIG26362-LA



PT6STR PTR6STR

# TVSS & Isolated Ground PlugTail™ Isolated Ground Receptacles

2 Pole, 3 Wire Grounding, 15 & 20A, 125V

### Features

- .036 inch thick brass triple wire contacts for lasting retention.
- Impact-resistant nylon face.
- Corrosion-resistant plated steel straight strap for increased rigidity and strength.
- Auto-ground clip assures positive ground.
- No exposed terminals for a finger safe application.
- Ultrasonically welded polycarbonate connector housing secures terminations in a UL Listed finger safe housing.
- Pre-stripped connector leads.
- Nylon isolator plate for isolating ground from strap and box system.
- Crimped and welded contacts.

Catalog Number	Rating A. V.	NEMA Config. No.	Color	3rd Party Compliance	
				cULus	FSUL WC596
<b>Duplex Receptacles</b>					
PTIG5262-I	15 125	5-15R	Ivory	•	•
PTIG5262-W	15 125	5-15R	White	•	•
PTIG5262	15 125	5-15R	Orange	•	•
PTIG5262-GRY	15 125	5-15R	Gray	•	•
PTIG5262-RED	15 125	5-15R	Red	•	•
PTIG5262-LA	15 125	5-15R	Light Almond	•	•
PTIG5362-I	20 125	5-20R	Ivory	•	•
PTIG5362-W	20 125	5-20R	White	•	•
PTIG5362	20 125	5-20R	Orange	•	•
PTIG5362-GRY	20 125	5-20R	Gray	•	•
PTIG5362-RED	20 125	5-20R	Red	•	•
PTIG5362-LA	20 125	5-20R	Light Almond	•	•
<b>Decorator Duplex Receptacles</b>					
PTIG26262-I	15 125	5-15R	Ivory	•	•
PTIG26262-W	15 125	5-15R	White	•	•
PTIG26262	15 125	5-15R	Orange	•	•
PTIG26262-GRY	15 125	5-15R	Gray	•	•
PTIG26262-RED	15 125	5-15R	Red	•	•
PTIG26262-LA	15 125	5-15R	Light Almond	•	•
PTIG26362-I	20 125	5-20R	Ivory	•	•
PTIG26362-W	20 125	5-20R	White	•	•
PTIG26362	20 125	5-20R	Orange	•	•
PTIG26362-GRY	20 125	5-20R	Gray	•	•
PTIG26362-RED	20 125	5-20R	Red	•	•
PTIG26362-LA	20 125	5-20R	Light Almond	•	•

Catalog Number	Wire Type	Wire Length
<b>PlugTail Connectors*</b>		
PT6STR	Stranded	6"
PT6SOL	Solid	6"
<b>PlugTail Connectors – Right Angle*</b>		
PTRA6STR	Stranded	6"
PTRA6SOL	Solid	6"

\*All PlugTail Connectors are available in various Wire Lengths, please use Configurable Solutions to order.



NEMA 5-15R



NEMA 5-20R

Configurable Solutions for PlugTail Receptacles and Connectors, see Page U-1.

All devices listed on this page conform to NEMA WD-1 and WD-6.

# TVSS & Isolated Ground Isolated Ground Receptacles

15 & 20A, 125V; 20A, 250V

Pass & Seymour



TVSS & Isolated Ground

Isolated Ground Receptacles

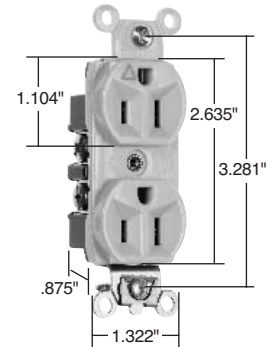
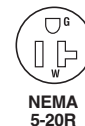
Catalog Number		Rating A. V.	NEMA Config. No.	Color	3rd Party Compliance		
Spec. Grade	Hospital Grade				UL	FSUL	SP
<b>Duplex Receptacles Back &amp; Side Wire*</b>							
IG6200-I	IG8200-RED	15 125	5-15R	Ivory	•	•	•
IG6200-W		15 125	5-15R	White	•	•	•
IG6200-GRY		15 125	5-15R	Gray	•	•	•
IG6200-RED		15 125	5-15R	Red	•	•	•
IG6200-BK		15 125	5-15R	Black	•	•	•
IG6200-LA		15 125	5-15R	Lt. Almond	•	•	•
IG6200	IG8200	15 125	5-15R	Orange	•	•	•
IG6300-I	IG8300-RED	20 125	5-20R	Ivory	•	•	•
IG6300-W		20 125	5-20R	White	•	•	•
IG6300-GRY		20 125	5-20R	Gray	•	•	•
IG6300-RED		20 125	5-20R	Red	•	•	•
IG6300-BK		20 125	5-20R	Black	•	•	•
IG6300-LA		20 125	5-20R	Lt. Almond	•	•	•
IG6300	IG8300	20 125	5-20R	Orange	•	•	•
IG6300-BL	20 125	5-20R	Blue	•	•	•	
IG6800	IG8800	20 250	6-20R	Orange	•	•	•
<b>Decorator Duplex Receptacles Back &amp; Side Wire</b>							
IG26262-I	IG26262-HGRED	15 125	5-15R	Ivory	•	•	•
IG26262-W		15 125	5-15R	White	•	•	•
IG26262-GRY		15 125	5-15R	Gray	•	•	•
IG26262-RED		15 125	5-15R	Red	•	•	•
IG26262-BK		15 125	5-15R	Black	•	•	•
IG26262-LA		15 125	5-15R	Lt. Almond	•	•	•
IG26262	IG26262-HG	15 125	5-15R	Orange	•	•	•
IG26362-I	IG26362-HGW	20 125	5-20R	Ivory	•	•	•
IG26362-W		20 125	5-20R	White	•	•	•
IG26362-GRY		20 125	5-20R	Gray	•	•	•
IG26362-RED		20 125	5-20R	Red	•	•	•
IG26362-BK		20 125	5-20R	Black	•	•	•
IG26362-LA		20 125	5-20R	Lt. Almond	•	•	•
IG26362	IG26362-HG	20 125	5-20R	Orange	•	•	•
<b>Single Receptacles Back &amp; Side Wire</b>							
IG5261		15 125	5-15R	Orange	•	•	•
IG5361	IG8301	20 125	5-20R	Orange	•	•	•

Catalog Number	Rating A. V.	NEMA Config. No.	Cord Diameter	3rd Party Compliance		
				UL	FSUL	SP
<b>Straight Blade Plugs, Orange</b>						
PSIG5266-X	15 125	5-15P	.230" – .720"	•	•	•

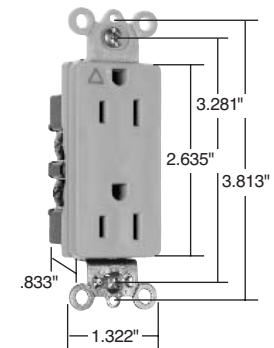
Consult Straight Blade Section G for complete line of Straight Blade Plugs & Connectors.

For Wall Plates for Isolated Ground Systems, see Page F-12 or Consult Wall Plates Section S.

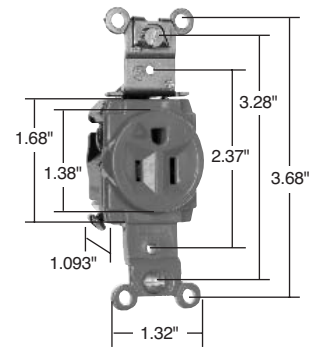
\*For Configurable Solutions, see Page U-1.



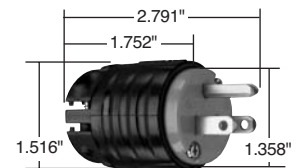
IG6200-I



IG26262-I



IG5261



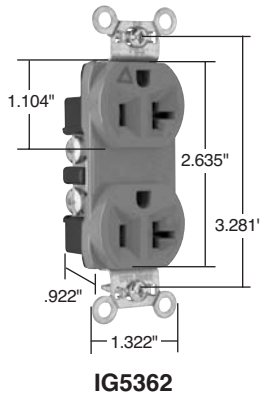
PSIG5266-X

All devices listed on this page conform to NEMA WD-1 and WD-6.

# TVSS & Isolated Ground Isolated Ground Receptacles

15 & 20A, 125V

Features	
<ul style="list-style-type: none"> <li>Corrosion-resistant plated steel strap locked in to back body.</li> <li>One-piece nickel-plated triple-ripe power contacts for lasting retention.</li> <li>Impact-resistant nylon face.</li> <li>Easily-accessed break-off, line-contact connecting tab for fast, easy split-circuit wiring.</li> <li>External screw-pressure-plate back wire on ground terminal for faster, easier installation.</li> </ul>	<ul style="list-style-type: none"> <li>Exclusive patented feature, external screw-pressure-plate back wire clamp on ground terminal for faster, easier installation.</li> <li>Internal screw-pressure-plate back wire clamps with #10 brass terminal screws for visual assurance of a good connection.</li> <li>Auto-ground clip assures positive ground.</li> </ul>



**NEW**

Catalog Number	Rating A. V.	NEMA Config. No.	Color	3rd Party Compliance		
				UL498	FSUL WC596	CSB C22.2 No. 42
<b>Duplex Receptacles – Back &amp; Side Wire</b>						
IG5262-I	15 125	5-15R	Ivory	•	•	•
IG5262-GRY	15 125	5-15R	Gray	•	•	•
IG5262-RED	15 125	5-15R	Red	•	•	•
IG5262-LA	15 125	5-15R	Light Almond	•	•	•
IG5262	15 125	5-15R	Orange	•	•	•
IG5362-I	20 125	5-20R	Ivory	•	•	•
IG5362-W	20 125	5-20R	White	•	•	•
IG5362-GRY	20 125	5-20R	Gray	•	•	•
IG5362-RED	20 125	5-20R	Red	•	•	•
IG5362-LA	20 125	5-20R	Light Almond	•	•	•
IG5362	20 125	5-20R	Orange	•	•	•

Available Summer 2006.

Catalog Number	Description	Catalog Number	Description
<b>Wall Plates for Isolated Ground Systems</b>			
TP8-IG	Orange, Thermoplastic, Duplex Wall Plate	SS8-IG	302 S/S, Duplex Wall Plate
TP7-IG	Orange, Thermoplastic, Single Receptacle Wall Plate	SS82-IG	302 S/S, Two Gang Duplex Wall Plate
TP26-IG	Orange, Thermoplastic, Decorator Wall Plate	SS7-IG	302 S/S, Single Receptacle Wall Plate
		SS26-IG	302 S/S, Decorator Wall Plate
		SS720	302 S/S, 20 & 30A Turnlok® Wall Plate



NEMA  
5-15R



NEMA  
5-20R

# TVSS & Isolated Ground Turnlok® Isolated Ground Receptacles

15, 20 & 30A

Pass & Seymour



TVSS & Isolated Ground

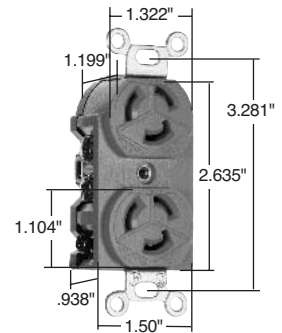
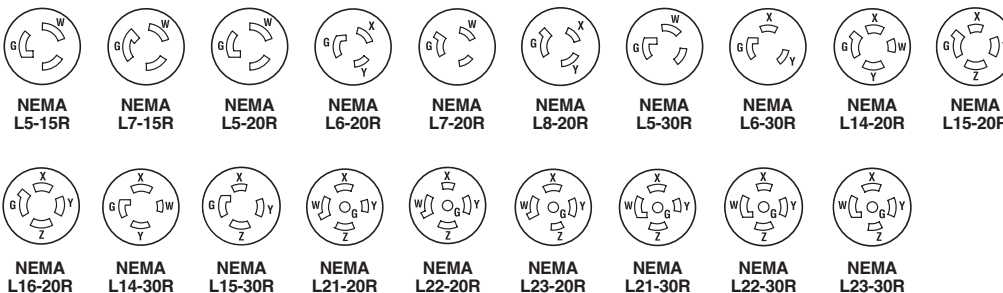
Turnlok® Isolated Ground Receptacles

Catalog Number	Rating A. V.	NEMA Config. No.	Color	3rd Party Compliance	
				UL UL498	CS C22.2 No. 42
<b>2 Pole, 3 Wire Grounding, Orange Back Wire</b>					
IG4700-W	15 125	L5-15R	White	•	•
IG4700-RED	15 125	L5-15R	Red	•	•
IG4700	15 125	L5-15R	Orange	•	•
IG4710	15 125	L5-15R	Orange	•	•
IG4760	15 277*	L7-15R	Orange	•	•
IGL520-R	20 125	L5-20R	Orange	•	•
IGL620-R	20 250	L6-20R	Orange	•	•
IGL720-R	20 277*	L7-20R	Orange	•	•
IGL820-R	20 480	L8-20R	Orange	•	•
IGL530-R	30 125	L5-30R	Orange	•	•
IGL630-R	30 250	L6-30R	Orange	•	•
<b>3 Pole, 4 Wire Grounding, Orange Back Wire</b>					
IGL1420-R	20 125/250	L14-20R	Orange	•	•
IGL1520-R	20 3ø, 250	L15-20R	Orange	•	•
IGL1620-R	20 3ø, 480	L16-20R	Orange	•	•
IGL1430-R	30 125/250	L14-30R	Orange	•	•
IGL1530-R	30 3ø, 250	L15-30R	Orange	•	•
<b>4 Pole, 5 Wire Grounding, Orange Back Wire</b>					
IGL2120-R	20 3øY, 120/208	L21-20R	Orange	•	•
IGL2220-R	20 3øY, 277/480	L22-20R	Orange	•	•
IGL2320-R	20 3øY, 347/600	L23-20R	Orange	•	•
IGL2130-R	30 3øY, 120/208	L21-30R	Orange	•	•
IGL2230-R	30 3øY, 277/480	L22-30R	Orange	•	•
IGL2330-R	30 3øY, 347/600	L23-30R	Orange	•	•

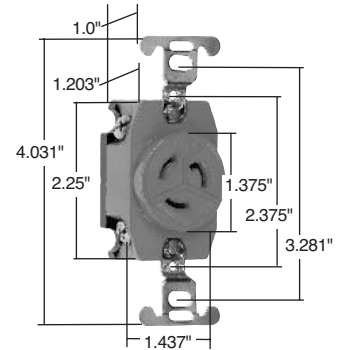
Catalog Number	Rating A. V.	NEMA Config. No.	Cord Diameter	3rd Party Compliance	
				UL UL498	CS C22.2 No. 42
<b>Turnlok® Plugs, Orange</b>					
IGL520-P	20 125	L5-20P	.385" – 1.150"	•	•
IGL620-P	20 250	L6-20P	.385" – 1.150"	•	•
IGL630-P	30 250	L6-30P	.385" – 1.150"	•	•

\*AC only.

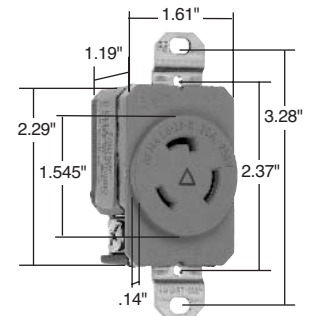
Consult Turnlok Section H for complete line of Turnlok Locking Devices.



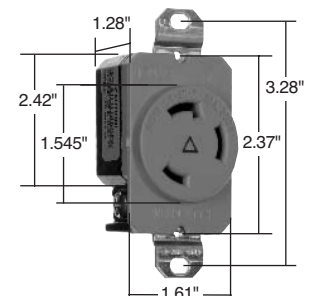
IG4700



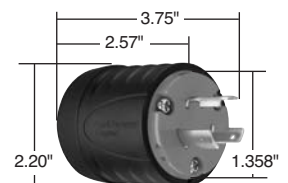
IG4710



20 Amp Receptacle



30 Amp Receptacle



IGL620-P

All devices listed on this page conform to NEMA WD-1 and WD-6.

# TVSS & Isolated Ground Power & TVSS Strips

### Features

- UL1449 listed.
- Heavy duty cord from 3' to 15', depending on device.
- Circuit breaker switch.

Catalog Number	Rating A.	Rating V.	Type of Housing	# of Outlets	Cord Length	Color
<b>Power Strips without Surge Protection</b>						
PNS6	15	125	Strip	6	3'	Black
PNS7L	15	125	Strip	7	8'	Black
PNS10	15	125	Block	10	15'	Black

### Application

There are an average of over 250 power disturbances per year in each home or office in the United States. Over 8% data loss is a direct result from lightning and the value of equipment and data is sometimes much greater than that of equipment.

Surges and spikes can come through power lines as well as phone and coax lines. So choose a protector which includes phone and/or coax protection.

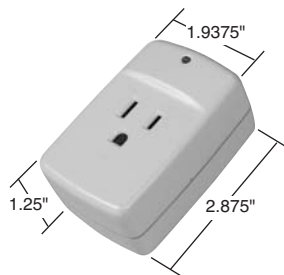
### Features

- 330V clamping voltage, UL's best rating.
- UL1449 listed.
- Heavy duty cord from 3' to 15', depending on device.
- Multiple function protection available for power, phone, fax, modem, coax or data.
- Extremely long life with dependable protection.
- Surge protection indicator on surge devices.
- Circuit breaker switch.
- Heavy-duty high-energy MOVs.
- Thermal fuses break the electrical circuit.
- Power shutdown feature disconnects power to outlets when source protection has expired to protect your connected equipment.

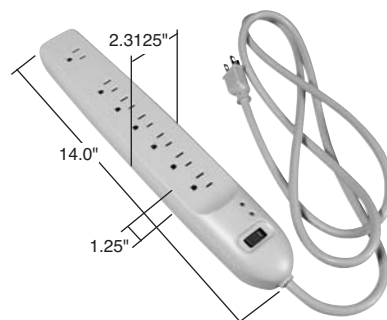
### Protection Specifications

- Line protection modes: L-N, L-G, N-G.
- Spike protection for sudden, dramatic surges, over 330V.
- Surge protection lasts for 1/120 of a second, for moderate short term overvoltage.
- EMI/RFI noise attenuation.

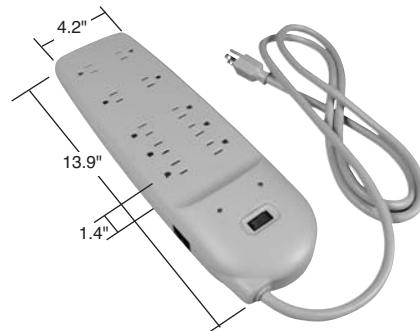
Catalog Number	Rating A.	Rating V.	Type of Housing	# of Outlets	Cord Length	Joule Rating Range	Max. Spike Current (Amps)	Type of Protection		Color
								Phone/Fax	Coax	
<b>Power Strips with Surge Protection</b>										
PS1	15	125	Tap	1		330J	18K			PC Gray
PS1P	15	125	Tap	1		555J	36K	X		PC Gray
PS6	15	125	Strip	6	3'	330J	18K			PC Gray
PS7	15	125	Strip	7	6'	555J	36K			PC Gray
PS7P	15	125	Strip	7	6'	555J	36K	X		PC Gray
PS7L	15	125	Strip	7	15'	555J	36K			PC Gray
PS8C	15	125	Block	8	8'	925J	60K		X	PC Gray
PS8P	15	125	Block	8	8'	925J	60K	X	X	PC Gray
PS10PC	15	125	Block	10	8'	1295J	84K	X	X	PC Gray



TAP - PS1



STRIP - PNS7L



BLOCK - PS10PC

# TVSS & Isolated Ground Power & TVSS Device Specifications

Pass & Seymour



Power Devices – Ratings			
Catalog Number	PNS6	PNS7L	PNS10
Type of Housing	Strip	Strip	Strip
Total Outlets	6	7	10
Standard Grounded Outlets	6	6	6
Transformer Ready Outlets	0	1	4
Power Indicator			X
Circuit Breaker Switch	Unlighted	Lighted	Lighted
Cord Length (exposed) ft.	3'	8'	15'
Plug	Straight	Straight	Straight
Molded Add-On Safety Covers	0	0	5
Molded Housing Color	Black	Black	Black

Power & TVSS Devices – Ratings									
Catalog Number	PS1	PS1P	PS6	PS7	PS7P	PS7L	PS8C	PS8P	PS10PC
Type of Housing	Tap	Tap	Strip	Strip	Strip	Strip	Block	Block	Block
Number of Outlets	1	1	6	7	7	7	8	8	10
Standard Grounded Outlets	1	1	6	6	6	6	0	0	6
Transformer Ready Outlets	1	1	0	1	1	1	8	8	4
Joule Rating Range	330J	555J	330J	555J	555J	555J	925J	925J	1295J
MOV Configuration	3-14mm	3-20mm	3-14mm	3-20mm	3-20mm	3-20mm	5-20mm	5-20mm	7-20mm
Clamping Voltage	330V	330V	330V	330V	330V	330V	330V	330V	330V
Max. Spike Current (Amps)	18K	36K	18K	36K	36K	36K	60K	60K	84K
EMI Filter Capacitors	X	X		X	X	X	X	X	X
Noise Reduction Coil							X	X	X
Protection (L-N, L-G, N-G)	X	X	X	X	X	X	X	X	X
Surge Protection Indicator	X	X	X	X	X	X	X	X	X
Ground/Wiring Indicator				X	X	X	X	X	X
Power Shutdown Feature			X	X	X	X	X	X	X
Circuit Breaker Switch			Unlighted	Lighted	Lighted	Lighted	Lighted	Lighted	Lighted
Cord Length (exposed) ft.			3'	6'	6'	15'	8'	8'	8'
Plug			Straight	Straight	Straight	Straight	Rt. Angle	Rt. Angle	Rt. Angle
Phone/Fax Protection		X			X			X	X
Phone Line(s) Configuration					1 in/1 out			1 in/2 out	1 in/1 out
Phone Jack Spec		RJ-11			RJ-11			RJ-45	RJ-45
Nickel-Coaxial Jack Protection							X		X
6' Phone Cable (6P2C)		X			X			X	X
6' Coax Cable (Nickel Plated)							X		X
Molded Add-On Safety Covers	0	0	0	2	2	2	4	4	5
Molded Housing Color	PC Gray	PC Gray	PC Gray	PC Gray	PC Gray	PC Gray	PC Gray	PC Gray	PC Gray
UL1449 2nd Edition	X	X	X	X	X	X	X	X	X