

# DIMMING WALL SWITCH

## LMDM-101

Low voltage switch for control of dimmable loads

Component of Digital Lighting Management integrated control system

Plugs to other components using Cat 5e cables with RJ45 connectors eliminating wiring errors



LED bar graph indicates relative light level of controlled load

Active Dim feature enables temporary adjustment of any selected load

Plug n' Go automatic configuration and Push n' Learn for personalization



## Description

The LMDM-101 Dimming Wall Switch is a low voltage device for dimming control of one or more lighting loads. It is part of a Digital Lighting Management (DLM) system and can dim load(s) connected to DLM dimming room controllers and switch load(s) connected to DLM on/off room controllers.

## Operation

The LMDM-101 operates on Class 2 power supplied to a DLM local network by one or more room controllers. Plug n' Go automatic configuration assigns all loads connected to dimming room controllers to the dimming switch upon system startup. When multiple switches are installed, default operation is for multi-way control; each switch controls all of the loads on the system. Dimming switches may be reconfigured using Push n' Learn to control only selected loads. The LMDM-101 may be used to raise or lower light levels, recall a preset level and turn lights on or off. In Active Dim mode, users can temporarily adjust the level of any dimmable load or scene on the local network by selecting a load or scene button and then pressing and holding the paddle on the LMDM-101.

## Features

- Hidden configuration button for easy access to Push n' Learn
- Used with DLM dimming room controller
- Digital Lighting Management components plug together on a free-topology Category 5e DLM local network
- Provides full function dimming control in multi-way applications, such as 3-way, 4-way, and beyond
- Infrared (IR) transceiver for wireless configuration and control
- LED status indicator
- Sleek single gang device fits decorator wall plates
- Six color options and custom engraving options; standard buttons may be replaced in the field
- The product meets the materials restrictions of RoHS
- BAA/TAA-compliant models available

## LED Indicators and IR Communications

A single blue LED shows the on/off status of the load(s) assigned to the dimming switch. An LED array in the bezel of the switch tracks progress of a fade and indicates the output level to the load. Each dimming switch may be personalized in the field with custom-engraved buttons. The IR transceiver in the LMDM-101 allows two-way communication for both wireless configuration, using Push n' Learn and a wireless configuration tool, and system operation, using handheld remotes.

## Applications

The LMDM-101 is ideal for use in applications where dimming control is desired, such as conference and board rooms, classrooms, training centers and private offices. Used together with the LMSW-105 DLM Scene Switch, the LMDM-101 works as part of a flexible scene-based preset dimming system. Digital Lighting Management's Active Dim feature gives designers the option of reducing wall clutter by facilitating scene setting without the need for individual dimming switches for each load.

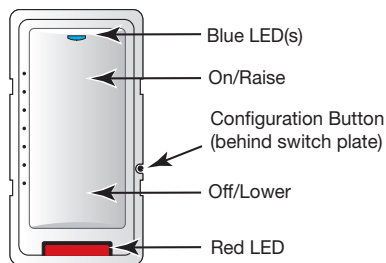
PROJECT		LOCATION/ TYPE	
---------	--	-------------------	--

## Specifications

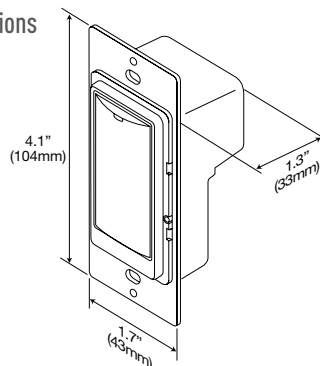
- Input voltage: 24VDC from DLM local network
- Current consumption: 5mA
- DLM local network connection: 2 RJ45 ports
- Control button with LED status indicator
- 7-LED dimming level indicator
- Hidden configuration button for access to Push n'Learn mode
- Infrared (IR) transceiver
- Operating conditions: for indoor use only; 32-131°F (0-55°C); 5-95% RH, non-condensing
- UL and cUL listed
- FCC part 15 compliant
- Five year warranty

## Controls & Dimensions

### Controls

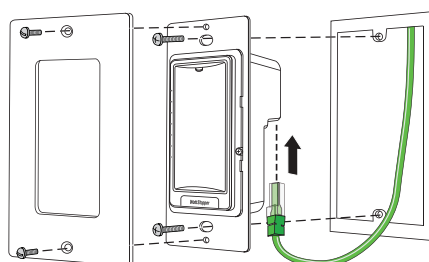


### Dimensions



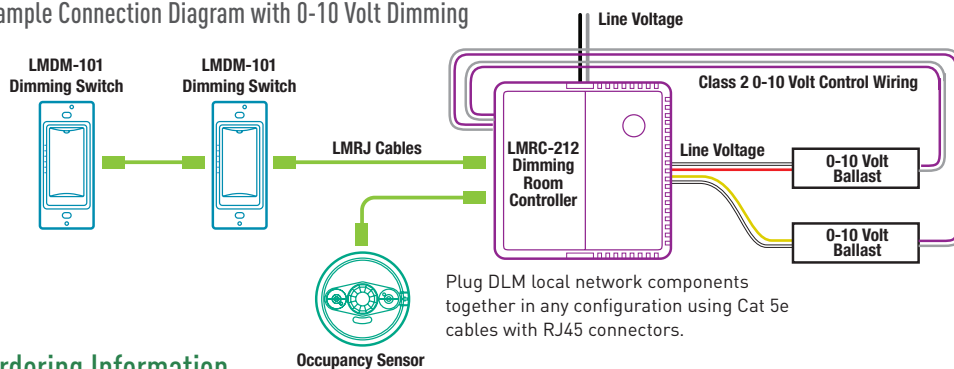
## Mounting & Connecting

### Mounting



LMDM-100 Dimming Wall Switches fit in standard single gang boxes.

### Sample Connection Diagram with 0-10 Volt Dimming



## Ordering Information

Catalog #	Color	Description
<input type="checkbox"/> LMDM-101-W	White	1-Button Dimming Wall Switch
<input type="checkbox"/> LMDM-101-W-U	White	1-Button Dimming Wall Switch, BAA/TAA compliant*
<input type="checkbox"/> LMDM-101-LA	Light Almond	1-Button Dimming Wall Switch
<input type="checkbox"/> LMDM-101-I	Ivory	1-Button Dimming Wall Switch
<input type="checkbox"/> LMDM-101-I-U	Ivory	1-Button Dimming Wall Switch, BAA/TAA compliant*
<input type="checkbox"/> LMDM-101-G	Grey	1-Button Dimming Wall Switch
<input type="checkbox"/> LMDM-101-B	Black	1-Button Dimming Wall Switch
<input type="checkbox"/> LMDM-101-R	Red	1-Button Dimming Wall Switch

Switches do not include face plates. Order decorator style plate separately. \*Product is compliant with Buy American Act and Trade Agreement Act.