

## NEW PRODUCT SHOWCASE

### New Scepter® F-Series Double Gang Boxes & Covers – A Perfect Fit!

*Boxes and Covers Universally Compatible*

IPEX's line of Scepter F-Series double gang boxes, weatherproof covers and cover plates have all been re-designed with universal product compatibility in mind, giving contractors greater ease of installation and cost savings on the job site.

#### Boxes

The FS and FD blank gang boxes are up to 1" deeper than other manufacturers' double gang boxes, allowing for increased space for installation of receptacles and switches.

And, the FS-Series boxes are molded with

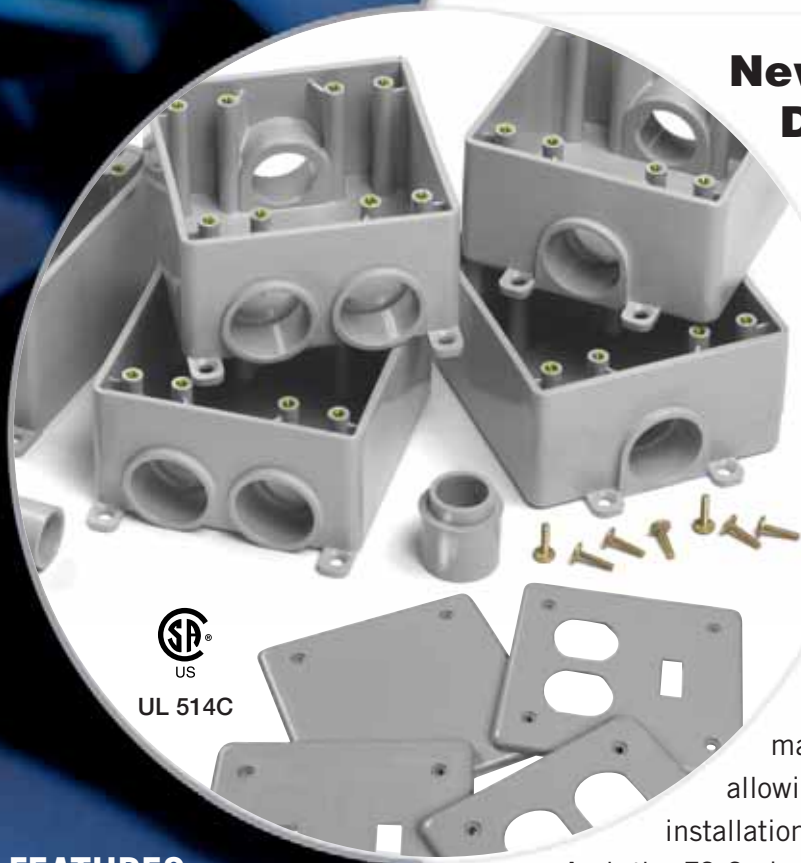
1" conduit hubs, along with 3/4" and 1/2" reducer bushings to accommodate various sizes of conduit.

#### Covers

The VSRC20-2-U and VSDR20-2-U weatherproof covers feature a plunger-style switch, making them ideal for high torque, motor rated switches and repeated use in harsh and cold weather environments. The plunger-style switch also has the capability to be locked into the OFF position to avoid accidental switching.

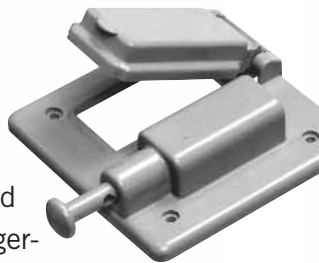
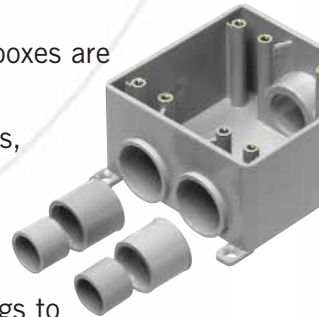
What's more, all the weatherproof covers have been designed to ensure a watertight seal using the new foam gasket, with an adhesive layer for ease of installation.

The F-Series double gang boxes and covers are certified to UL standard 514C – Non-Metallic Outlet Boxes, Flush Device Boxes, and Covers.



#### FEATURES & BENEFITS:

- Universal Compatibility
- Extra Depth of Boxes
- Threaded Brass Inserts for Ease of Cover Installation
- Hub Size Reducer Bushings to Accommodate Various Job Site Requirements
- Unique Plunger-Style Design
- One Box for all Conduit Sizes



## IPEX

Products are manufactured by IPEX Electrical Inc. and distributed in the United States by IPEX USA LLC. Scepter® is a trademark of IPEX Branding Inc.

**US Customers call IPEX USA LLC**

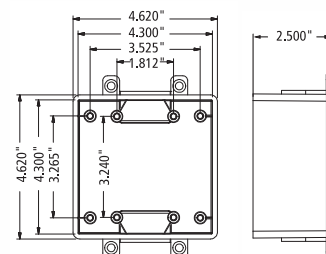
Toll Free: (800) 463-9572

[www.ipexamerica.com](http://www.ipexamerica.com)

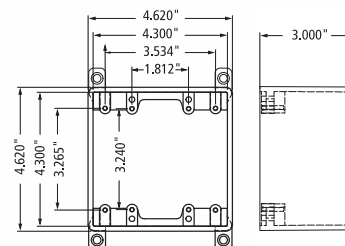
## BOXES



Old Part Number	Old Product Code	New Part Number	New Product Code	Hub Sizes (inches)
FS-2-101520	077440	FS-2-101520-U	077364	½, ¾, 1
FSC-2-101520	077441	FSC-2-101520-U	077368	
FSS-2-101520	077442	FSS-2-101520-U	077372	
FSCC-2-101520	077443	FSCC-2-101520-U	077369	
FD-2	077734	FD-2-U	077649	Blank



FS - Box

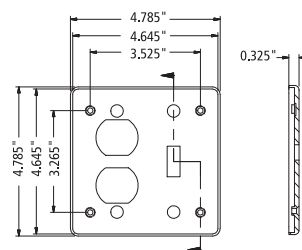


FD - Box



## COVERS

Old Part Number	Old Product Code	New Part Number	New Product Code	Description
* VSGG20-2	077096	SAME AS OLD		Double Door GFI Cover
* VSDD20-2	077097	SAME AS OLD		Double Door Duplex Cover
* VSC20-2	077741	VSC20-2-U	077376	Toggle Switch Cover
* VSRC20-2	077742	VSRC20-2-U	077357	Combination Switch Cover & GFI Receptacle
* VSDR20-2	077752	VSDR20-2-U	077356	Combination Switch Cover & Duplex Receptacle
TSC20-2	077738	TSC20-2-U	077373	Double Switch
TSDC20-2	077739	TSDC20-2-U	077374	Combination Switch Duplex Receptacle
DRC20-2	077740	DRC20-2-U	077362	Double Duplex Receptacle
* BRC20-2	077614	BRC20-2-U	077359	Blank Cover c/w Gasket



TSDC Cover Plate

\* indicates weatherproof cover

## GASKETS



Old Part Number	Old Product Code	New Part Number	New Product Code	Description
GASKV20-2	072227	SAME AS OLD		Gasket for VSGG20-2 & VSDD20-2
		GASKF20-2-U	172650	Foam Gasket with adhesive layer



US Customers call IPEX USA LLC

Toll Free: (800) 463-9572

www.ipexamerica.com