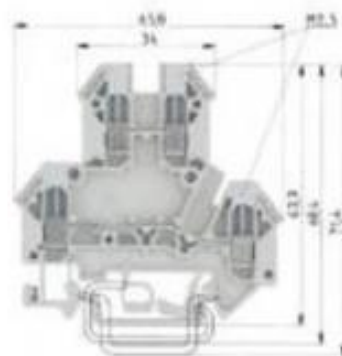


Datasheet

Art.No. 57.403.7055.0

Multi-tier terminal WKN2,5E / U V0

Multi-tier terminal block with screw connection for mounting on TS 35 and TS 32, nominal cross section 2.5 mm², width 5 mm, color gr ay



| | |
|------------|---------------|
| Art.No. | 57.403.7055.0 |
| EAN | 4015573544819 |
| Order unit | 100 pieces |

Approvals



Technical data

General

| | |
|--|--------------------------------|
| Nominal cross section | 2.5 mm ² |
| Colour | Grey |
| Number of levels | 2 |
| Number of clamp positions per level | 2 |
| Width/grid dimension | 5 mm |
| Insulating housing | PA666 |
| Inflammability class of insulation material acc. with UL94 | V0 |
| Explosion-tested version "Ex e" | No |
| Mounting method | DIN rail (top hat rail)/G-rail |
| Terminal blocks for electrical installations | No |

Technical data

| | |
|-----------------------------|---------------|
| Rated current | 24 A |
| Rated voltage | 500 V |
| Rated impulse voltage | 6 kV |
| Pollution degree | 3 |
| Closing plate required | Yes |
| Type of insulation material | Thermoplastic |
| Length | 65.8 mm |

Connection Data

| | |
|-------------------|------------------|
| Connection type 1 | Screw connection |
| Connection type 2 | Screw connection |

| | |
|-------------------------------------|---------------------|
| Minimum cross section solid | 0.5 mm ² |
| Maximum cross section solid | 4 mm ² |
| Minimum cross section fine stranded | 0.5 mm ² |
| Maximum cross section fine stranded | 2.5 mm ² |
| Wire strip length | 8 mm |
| Torque conductor mounting | 0.4 Nm |

Technical Data UL/CSA

| | |
|------------------------|-----------|
| Cross section UL | 22-12 AWG |
| Voltage UL | 600 V |
| Current factory wiring | 25 A |
| Current field wiring | 20 A |
| Cross section CSA | 24-12 AWG |
| Voltage CSA | 600 V |
| Current CSA | 25 A |