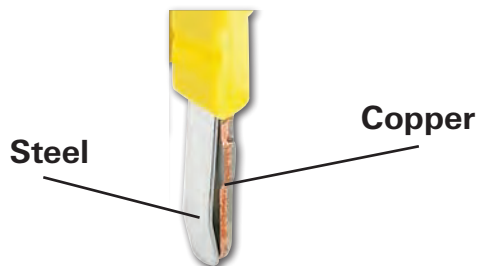
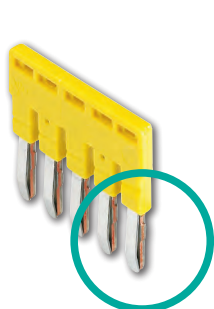


## Wieland jumpering system – Perfect technology



### Perfect technology

- Copper current bar guarantees low contact resistance
- Steel spring guarantees strength, durability, and long-term stability

### Extremely rugged!

- Indestructible steel spring
- Vibration-proof connection



### Simple customization

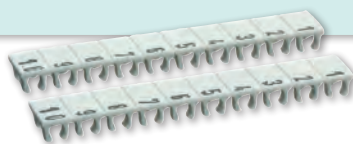
- Individual poles easy to remove
- Circuits easy to identify



## Wieland marking system – Reliable identification

### Marking strips – Dependable

- Maximum hold to the terminal
- Solidify integrity of rail assembly



### Endless strip – Effective

- Mounting facility for endless strips permits single step marking of entire assembly
- Continuous labeling
- Uses commercially available labeling systems



### Marking tags – Individual

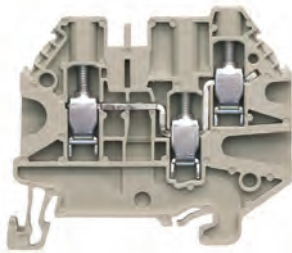
- Individual labeling with minimum effort
- Ideal for service and maintenance



## Duo feed-through and knife edge disconnect block with screw connection

### WT 4 D1/2

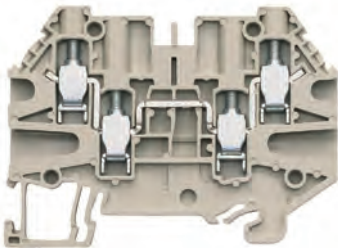
- Duo feed-through block with screw connection for mounting on TS 35
- Nominal cross section 4 mm<sup>2</sup>
- Max. electrical data: 41 A/6 mm<sup>2</sup>
- Connection capacity: 2 wires, equal size 0.14 – 2.5 mm<sup>2</sup>



Description	Type	Part No.	Std. Pack
Duo feed-through block, gray	WT 4 D1/2	58.504.5055.0	100
Duo feed-through block, blue	WT 4 D1/2 BL	58.504.5055.6	100
<b>General data</b>			
Width / length / height, incl. TS 7.5	6 mm / 56 mm / 50 mm		
Wire strip length	9 mm		
Approvals			
<b>Technical data</b>		<b>IEC</b>	<b>UL</b>
	EN 60 947-7-1		
Cross section fine-stranded	0.14–6 mm <sup>2</sup>		pending
Cross section solid/stranded	0.14–6 mm <sup>2</sup>		
Cross section, AWG		26–10	26–10
Rated current	32 A	30 A	30 A
Rated voltage	500 V	300 V	300 V
Rated impulse voltage	6 kV		
Pollution degree	3		
<b>Accessories</b>		Type	Part No.
End plate	AP WT 4 D1/2	07.313.2955.0	10
Partition	TW WT 4 E	07.313.2855.0	10
Cross connector	2 pole IVB WKF 4-2	Z7.261.1227.0	10
	5 pole IVB WKF 4-5	Z7.261.1527.0	10
	10 pole IVB WKF 4-10	Z7.261.2027.0	10

### WT 4 D2/2

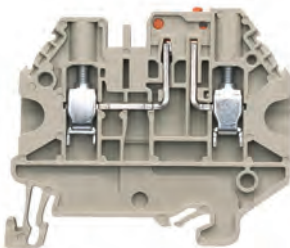
- Duo feed-through block with screw connection for mounting on TS 35
- Nominal cross section 4 mm<sup>2</sup>
- Max. electrical data: 41 A/6 mm<sup>2</sup>
- Connection capacity: 2 wires, equal size 0.14 – 2.5 mm<sup>2</sup>



Description	Type	Part No.	Std. Pack
Duo feed-through block, gray	WT 4 D2/2	58.504.5155.0	100
Duo feed-through block, blue	WT 4 D2/2 BLAU	58.504.5155.6	100
<b>General data</b>			
Width / length / height, incl. TS 7.5	6 mm / 68 mm / 50 mm		
Wire strip length	9 mm		
Approvals			
<b>Technical data</b>		<b>IEC</b>	<b>UL</b>
	EN 60 947-7-1		
Cross section fine-stranded	0.14–6 mm <sup>2</sup>		pending
Cross section solid/stranded	0.14–6 mm <sup>2</sup>		
Cross section, AWG		26–10	26–10
Rated current	32 A	30 A	30 A
Rated voltage	500 V	300 V	300 V
Rated impulse voltage	6 kV		
Pollution degree	3		
<b>Accessories</b>		Type	Part No.
End plate	AP WT 4 D2/2	07.313.3155.0	10
Partition	TW WT 4 E	07.313.2855.0	10
Cross connector	2 pole IVB WKF 4-2	Z7.261.1227.0	10
	5 pole IVB WKF 4-5	Z7.261.1527.0	10
	10 pole IVB WKF 4-10	Z7.261.2027.0	10

### WT 4 TKM...

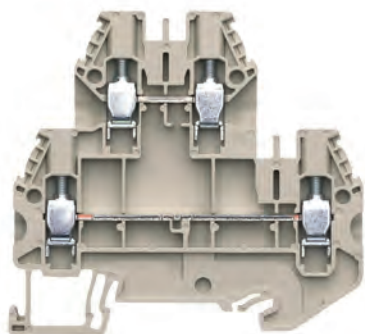
- Knife edge disconnect block for mounting on TS 35
- Nominal cross section 4 mm<sup>2</sup>
- Connection capacity: 2 wires, equal size 0.14 – 2.5 mm<sup>2</sup>



Description	Type	Part No.	Std. Pack
Knife edge disconnect block, gray	WT 4 TKM	58.504.2055.0	100
Knife edge disconnect block, blue	WT 4 TKM BL	58.504.2055.6	100
with 2 test bolts, gray	WT 4 TKM P	58.504.2355.0	100
<b>General data</b>			
Width / length / height, incl. TS 7.5	6 mm / 56 mm / 50 mm		
Wire strip length	9 mm		
Approvals			
<b>Technical data</b>		<b>IEC</b>	<b>UL</b>
	EN 60 947-7-1		
Cross section fine-stranded	0.14–6 mm <sup>2</sup>		
Cross section solid/stranded	0.14–6 mm <sup>2</sup>		
Cross section, AWG		26–10	26–10
Rated current	24 A	16 A	16 A
Rated voltage	500 V	300 V	300 V
Rated impulse voltage	6 kV		
Pollution degree	3		
<b>Accessories</b>		Type	Part No.
End plate	AP WT 4 D1/2	07.313.2955.0	10
Partition	TW WT 4 E	07.313.2855.0	10
Cross connector	2 pole IVB WKF 4-2	Z7.261.1227.0	10
	5 pole IVB WKF 4-5	Z7.261.1527.0	10
	10 pole IVB WKF 4-10	Z7.261.2027.0	10

### WT 4 E

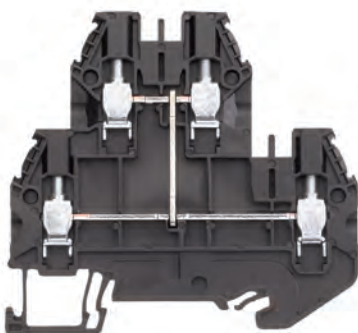
- Multi-tier block for mounting on TS 35
- Nominal cross section 4 mm<sup>2</sup>
- Connection capacity: 2 wires, equal size 0.14 – 2.5 mm<sup>2</sup>



Description	Type	Part No.	Std. Pack
Multi-tier block, gray	WT 4 E	58.504.7055.0	100
Multi-tier block, blue	WT 4 E BL	58.504.7055.6	100
<b>General data</b>			
Width / length / height, incl. TS 7.5	6 mm / 72 mm / 67 mm		
Wire strip length	9 mm		
Approvals			
<b>Technical data</b>	<b>IEC</b>	<b>UL</b>	<b>CSA</b>
	EN 60 947-7-1		
Cross section fine-stranded	0.14–6 mm <sup>2</sup>		pending
Cross section solid/stranded	0.14–6 mm <sup>2</sup>		
Cross section, AWG	26–10	26–10	
Rated current	32 A	30 A	30 A
Rated voltage	800 V	300 V	300 V
Rated impulse voltage	8 kV		
Pollution degree	3		
<b>Accessories</b>			
	Type	Part No.	Std. Pack
End plate	AP WT 4 E	07.313.3355.0	10
Partition	TW WT 4 E	07.313.2855.0	10
Cross connector	2 pole IVB WKF 4-2	Z7.261.1227.0	10
	5 pole IVB WKF 4-5	Z7.261.1527.0	10
	10 pole IVB WKF 4-10	Z7.261.2027.0	10

### WT 4 E VB

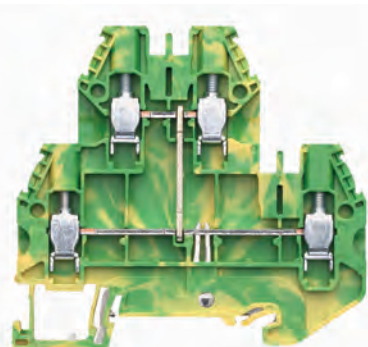
- Multi-tier block, vertically jumpered, with screw connection for mounting on TS 35
- Nominal cross section 4 mm<sup>2</sup>
- Connection capacity: 2 wires, equal size 0.14 – 2.5 mm<sup>2</sup>



Description	Type	Part No.	Std. Pack
Multi-tier block, black	WT 4 E VB	58.504.6955.1	100
<b>General data</b>			
Width / length / height, incl. TS 7.5	6 mm / 72 mm / 67 mm		
Wire strip length	9 mm		
Approvals			
<b>Technical data</b>	<b>IEC</b>	<b>UL</b>	<b>CSA</b>
	EN 60 947-7-1		
Cross section fine-stranded	0.14–6 mm <sup>2</sup>		pending
Cross section solid/stranded	0.14–6 mm <sup>2</sup>		
Cross section, AWG	26–10	26–10	
Rated current	32 A	30 A	30 A
Rated voltage	800 V	300 V	300 V
Rated impulse voltage	8 kV		
Pollution degree	3		
<b>Accessories</b>			
	Type	Part No.	Std. Pack
End plate	AP WT 4 E	07.313.3355.0	10
Partition	TW WT 4 E	07.313.2855.0	10
Cross connector	2 pole IVB WKF 4-2	Z7.261.1227.0	10
	5 pole IVB WKF 4-5	Z7.261.1527.0	10
	10 pole IVB WKF 4-10	Z7.261.2027.0	10


### WT 4 E PE

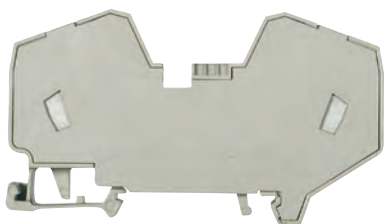
- Multi-tier ground block with screw connection for mounting on TS 35
- Nominal cross section 4 mm<sup>2</sup>
- Connection capacity: 2 wires, equal size 0.14 – 2.5 mm<sup>2</sup>




Description	Type	Part No.	Std. Pack
Multi-tier ground block, green/yellow	WT 4 E PE	58.504.9255.0	100
<b>General data</b>			
Width / length / height, incl. TS 7.5	6 mm / 72 mm / 67 mm		
Wire strip length	9 mm		
Approvals			
<b>Technical data</b>	<b>IEC</b>	<b>UL</b>	<b>CSA</b>
	EN 60 947-7-2		
Cross section fine-stranded	0.14–6 mm <sup>2</sup>		pending
Cross section solid/stranded	0.14–6 mm <sup>2</sup>		
Cross section, AWG		26–10	
Rated current			
Rated voltage	800 V	300 V	
Rated impulse voltage	8 kV		
Pollution degree	3		
<b>Accessories</b>			
	Type	Part No.	Std. Pack
End plate	AP WT 4 E	07.313.3355.0	10

### WKF 16/35 PV/WKFN

- Supply block for mounting on TS 35
- Nominal cross section 4 mm<sup>2</sup>
- Ex e I/II  II 2GD IM2  
Follow the EX installation instructions on page 143



Description	Type	Part No.	Std. Pack
Power feed-in block, gray	WKF 16/35 PV/WKFN	56.716.0353.0	20
<b>General data</b>			
Width / length / height, incl. TS 7.5	12 mm / 82 mm / 48 mm		
Wire strip length	15 mm		
Approvals	 <span style="float: right;">KEMA 01 ATEX 2087 U</span>		
<b>Technical data</b>	<b>IEC</b>	<b>UL</b>	<b>CSA</b>
	EN 60 947-7-1		EN 60 079-0/-7
Cross section fine-stranded	4–16 mm <sup>2</sup>		4–16 mm <sup>2</sup>
Cross section solid/stranded	4–16 mm <sup>2</sup>		4–16 mm <sup>2</sup>
Cross section, AWG		24–4	12–4
Rated current	76 A	75 A	78 A
Rated voltage	800 V	600 V	600 V
Rated impulse voltage	8 kV		
Pollution degree	3		
<b>Note</b>	* Type-specific output currents upon request		

Accessories	Type	Part No.	Std. Pack
Cover with warning symbol over 4 blocks	ADF 16/4 GELB	04.343.6653.8	10
Screwdriver, uninsulated	DIN 5264 B 1,0x5,5	06.502.4200.0	5

- Potential distribution with standard cross connector IVB WKF 4...
- Parallel connection of two cross connectors → double jumpering
- Potential distributions are possible on one or both sides

Potential distribution	one side		both sides	
	single	double	single	double
$I_{max}$	64	76	76	76

$$I_{max} = \sum I_n \leq \sum I_{Nblock}$$

### Accessories for *fasis* WKFN 4...

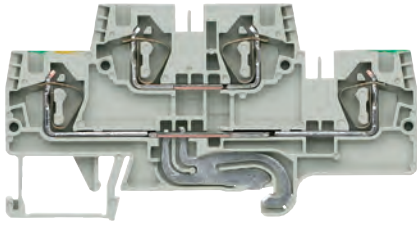


Accessories	Type	Part No.	Std. Pack
Cross connector, insulated	2 pole	VB WKF 4–2	Z7.261.1227.0
	3 pole	IVB WKF 4–3	Z7.261.1327.0
	4 pole	IVB WKF 4–4	Z7.261.1427.0
	5 pole	IVB WKF 4–5	Z7.261.1527.0
	6 pole	IVB WKF 4–6	Z7.261.1627.0
	7 pole	IVB WKF 4–7	Z7.261.1727.0
	8 pole	IVB WKF 4–8	Z7.261.1827.0
	9 pole	IVB WKF 4–9	Z7.261.1927.0
	10 pole	IVB WKF 4–10	Z7.261.2027.0
	Wire entry guide	0.13–0.2 mm <sup>2</sup>	LEL 4/1 WEISS
0.25–0.5 mm <sup>2</sup>		LEL 4/2 GRAU	05.561.8653.0
0.75–1.0 mm <sup>2</sup>		LEL 4/3 SCHWARZ	05.561.8753.0
Cover with warning symbol over 4 blocks	yellow	ADF 4/4 GELB	04.343.6153.8
Test adapter, modular		PS WKC/F	Z1.299.9753.0
Test plug		ST 2/2,3	Z5.553.2921.0
Screwdriver, uninsulated		DIN 5264 B 0,6x3,5	06.502.4000.0
Screwdriver, uninsulated, MINI		DIN 5264 B 0,6x3,5 M	06.502.5000.0

## Multi-tier terminal blocks with tension spring connection

**WKFN 4 E/D/SL/35**  
**WKFN 4 E/N/SL/35**

- Multi-tier block, combined, with tension spring connection for mounting on TS 35
- Nominal cross section 4 mm<sup>2</sup>
- Ex e I/II II 2GD IM2  
Follow the EX installation instructions on page 143



Description	Type	Part No.	Std. Pack
Multi-tier block, combined, gray	WKFN 4 E/D/SL/35	56.704.7855.0	100
Multi-tier block, combined, gray	WKFN 4 E/N/SL/35	56.704.7755.0	100

General data			
Width / length / height, incl. TS 7.5	6 mm / 90 mm / 48 mm		
Wire strip length	11 mm		
Approvals			
Technical data	IEC	UL	CSA
	EN 60 947-7-1		
Cross section fine-stranded	0.13–4 mm <sup>2</sup>		
Cross section solid/stranded	0.13–6 mm <sup>2</sup>		
Cross section, AWG		24–10	24–10
Rated current	32 A	30 A	32 A
Rated voltage	500 V	300 V	300 V
Rated impulse voltage	6 kV		
Pollution degree	3		

**WKFN 4 E/D/SL/35** Block color: gray

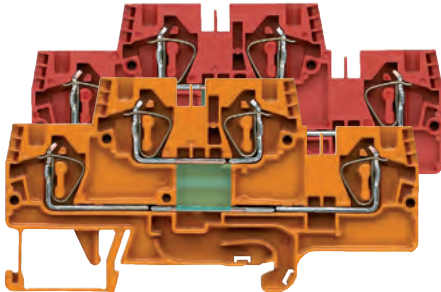
	Function	Color ID
Upper tier	Feed-through	gray
Lower tier	Ground conductor	green/yellow

**WKFN 4 E/N/SL/35** Block color: gray

	Function	Color ID
Upper tier	Feed-through	blue
Lower tier	Ground conductor	green/yellow

**WKFN 4 E /35...**

- Multi-tier function block with tension spring connection for mounting on TS 35
- Nominal cross section 4 mm<sup>2</sup>



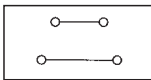
Description	Type	Part No.	Std. Pack
Multi-tier function block, red	WKFN 4 E /35...	56.704.XX55.5	100
Multi-tier function block, orange	WKFN 4 E /35...	56.704.XX55.9	100

General data			
Width / length / height, incl. TS 7.5	6 mm / 90 mm / 48 mm		
Wire strip length	11 mm		
Approvals			
Technical data	IEC	UL	CSA
	EN 60947-7-1		
Cross section fine-stranded	0.13 – 4 mm <sup>2</sup>		
Cross section solid/stranded	0.13 – 6 mm <sup>2</sup>		
Cross section, AWG		24–10	24–10

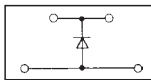
**Function diagram for *fasis* WKFN 4 E/...**

The multi-tier block is available on request as a function block for a wide variety of switching tasks.

56.704.7555.9  
56.704.7555.5

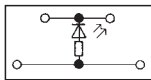


56.704.8255.5



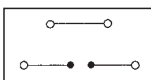
I = 1 A  
U = 1000 V

56.704.7455.9

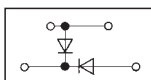


R = 4.7 kΩ  
P = 0.5 W  
U = 24 V DC

56.704.7155.5  
56.704.7155.9

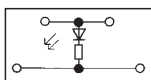


56.704.7955.5



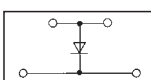
I = 1 A  
U = 1000 V

56.704.7255.5



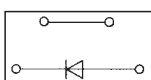
R = 4.7 kΩ  
P = 0.5 W  
U = 24 V DC

56.704.8055.9



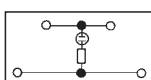
I = 1 A  
U = 1000 V

56.704.8355.5



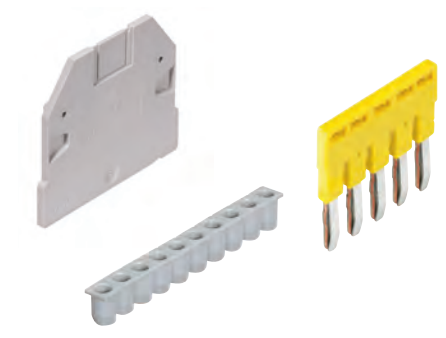
I = 1 A  
U = 1000 V

56.704.7355.5



R = 680 kΩ  
P = 0.25 W  
U = 100-500 V

## Accessories for *fasis* WKFN 4 E/...

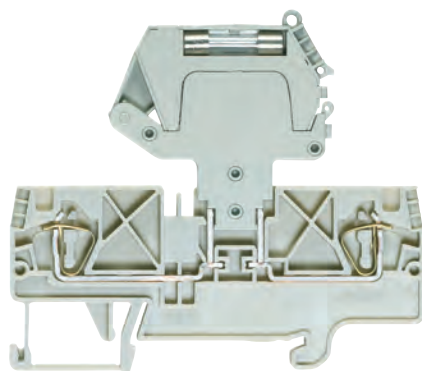


Accessories	Type	Part No.	Std. Pack
End plate	gray APFN 4 E...	07.312.9655.0	10
Partition	gray TWFN 4 E...	07.312.9755.0	10
Cross connector, insulated	2 pole IVB WKFN 4-2	Z7.261.1227.0	10
	3 pole IVB WKFN 4-3	Z7.261.1327.0	10
	4 pole IVB WKFN 4-4	Z7.261.1427.0	10
	5 pole IVB WKFN 4-5	Z7.261.1527.0	10
	6 pole IVB WKFN 4-6	Z7.261.1627.0	10
	7 pole IVB WKFN 4-7	Z7.261.1727.0	20
	8 pole IVB WKFN 4-8	Z7.261.1827.0	20
	9 pole IVB WKFN 4-9	Z7.261.1927.0	20
	10 pole IVB WKFN 4-10	Z7.261.2027.0	20
Vertical cross connector, insulated	1 pole IVB WKFN-V	Z7.261.1127.0	10
Wire entry guide	0.13–0.2 mm <sup>2</sup> LEL 4/1 WEISS	05.561.8553.0	100
	0.25–0.5 mm <sup>2</sup> LEL 4/2 GRAU	05.561.8653.0	100
	0.75–1.0 mm <sup>2</sup> LEL 4/3 SCHWARZ	05.561.8753.0	100

## Fuse blocks with tension spring connection

### WKFN 4 TKG with THSi 5 x 20

- Disconnect block with tension spring connection for mounting on TS 35
- Nominal cross section 4 mm<sup>2</sup>



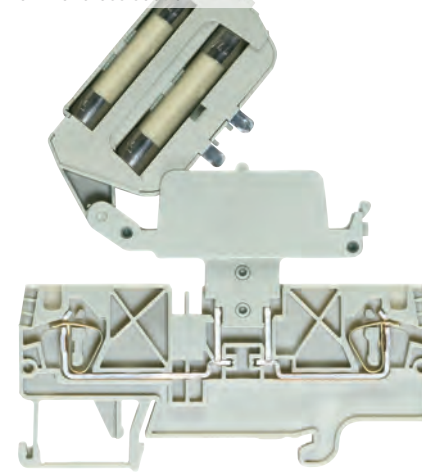
Description	Type	Part No.	Std. Pack
Disconnect block, gray	WKFN 4 TKG/35	56.704.4055.0	100
Fuse disconnect lever	THSi 5x20	Z1.298.1053.0	10
Fuse disconnect lever with LED 12–24 V <sup>2)</sup>	THSi 5x20 LED24	Z1.298.1153.0	10
Fuse disconnect lever with LED 24–60 V <sup>2)</sup>	THSi 5x20 LED60	Z1.298.1253.0	10
Fuse disconnect lever with GL 110–250 V <sup>2)</sup>	THSi 5x20 GL250	Z1.298.1353.0	10

General data			
Width / length / height, incl. TS 7.5	6 mm / 82 mm / 38 mm		
Wire strip length	11 mm		
Approvals			
Technical data	IEC	UL	CSA
	EN 60 947-7-3		
Cross section fine-stranded	0.13–4 mm <sup>2</sup>		
Cross section solid/stranded	0.13–6 mm <sup>2</sup>		
Cross section, AWG		24–10	22–10
Rated current	1)	1)	10 A <sup>1)</sup>
Rated voltage	500 V <sup>2)</sup>	600 V <sup>2)</sup>	300 V <sup>2)</sup>
Rated impulse voltage	8 kV		
Pollution degree	3		

Accessories	Type	Part No.	Std. Pack
End plate, gray	APFN 4 D2/2	07.312.9055.0	10
Partition, gray	TWFN 4 D2/2	07.312.9155.0	10

### WKFN 4 TKG with THSi 6,3 x 32

- Disconnect block with tension spring connection for mounting on TS 35
- Nominal cross section 4 mm<sup>2</sup>



Description	Type	Part No.	Std. Pack
Disconnect block, gray	WKFN 4 TKG/35	56.704.4055.0	100
Fuse disconnect lever	THSi 6,3x32	Z1.298.1653.0	10
Fuse disconnect lever with LED 12–24 V <sup>2)</sup>	THSi 6,3x32 LED24	Z1.298.1753.0	10
Fuse disconnect lever with LED 24–60 V <sup>2)</sup>	THSi 6,3x32 LED60	Z1.298.1853.0	10
Fuse disconnect lever with GL 110–250 V <sup>2)</sup>	THSi 6,3x32 GL250	Z1.298.1953.0	10
Fuse disconnect lever with GL 500 V <sup>2)</sup>	THSi 6,3x32 GL500	Z1.298.2053.0	10

General data			
Width / length / height, incl. TS 7.5	6 mm / 82 mm / 38 mm		
Wire strip length	11 mm		
Approvals			
Technical data	IEC	UL	CSA
	EN 60 947-7-3		
Cross section fine-stranded	0.13–4 mm <sup>2</sup>		
Cross section solid/stranded	0.13–6 mm <sup>2</sup>		
Cross section, AWG		24–10	22–10
Rated current	1)	1)	10 A <sup>1)</sup>
Rated voltage	500 V <sup>2)</sup>	600 V <sup>2)</sup>	300 V <sup>2)</sup>
Rated impulse voltage	8 kV		
Pollution degree	3		

Accessories	Type	Part No.	Std. Pack
End plate, gray	APFN 4 D2/2	07.312.9055.0	10
Intermediate plate, 4 mm, gray	ZP/WKFN 4 TKG	07.313.1655.0	10
Partition, gray	TWFN 4 D2/2	07.312.9155.0	10

## Info and accessories for fasis WKFN 4 TKG with THSi...

<sup>1)</sup> The current is determined by the inserted fuse.

<sup>2)</sup> The voltage range is determined by the built-in LED display. Depending on the application and the installation method, the circumstances for increased temperature must be checked in the closed fuse holders.

Higher ambient temperatures are an additional load for the fuse inserts. Therefore, the reduction of the rated current must be considered accordingly in these applications.

Indicator (24 V): LED, red  
current consumption: 10.3 mA

Indicator (220 V): LED, red  
current consumption: 0.3 mA

When selecting G fuse inserts, make sure that the specified maximum power is not exceeded.  
Maximum power loss at 23°C ambient temperature (according to DIN EN 60947-7-3)

Type	Rated voltage	Overload protection		Exclusive short-circuit protection	
		Single arrangement	Group arrangement	Single arrangement	Group arrangement
THSi 5x20	250V	1.6W	1.6W	4.0W	2.5W
THSi 6,3x32	500V	2.5W	1.6W	4.0W	2.5W

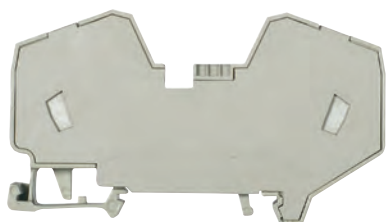
Accessories	Type	Part No.	Std. Pack	
Cross connector, insulated	2 pole IVB WKF 4-2	Z7.261.1227.0	10	
for WKFN 4 TKG with THSi 5x20	3 pole IVB WKF 4-3	Z7.261.1327.0	10	
	4 pole IVB WKF 4-4	Z7.261.1427.0	10	
	5 pole IVB WKF 4-5	Z7.261.1527.0	10	
	6 pole IVB WKF 4-6	Z7.261.1627.0	10	
	7 pole IVB WKF 4-7	Z7.261.1727.0	20	
	8 pole IVB WKF 4-8	Z7.261.1827.0	20	
	9 pole IVB WKF 4-9	Z7.261.1927.0	20	
	10 pole IVB WKF 4-10	Z7.261.2027.0	20	
	Wire entry guide	0.13–0.2 mm <sup>2</sup> LEL 4/1 WEISS	05.561.8553.0	100
		0.25–0.5 mm <sup>2</sup> LEL 4/2 GRAU	05.561.8653.0	100
0.75–1.0 mm <sup>2</sup> LEL 4/3 SCHWARZ		05.561.8753.0	100	
Cover with warning symbol over 4 blocks	yellow ADF 4/4 GELB	04.343.6153.8	10	
Test adapter, modular	ST 2/2,3	Z5.553.2921.0	10	
Screwdriver, uninsulated	DIN 5264 B 0,6x3,5	06.502.4000.0	5	
Screwdriver, uninsulated, MINI	DIN 5264 B 0,6x3,5 M	06.502.5000.0	10	

For WKFN 4 TKG with THSi 6.3x32 and intermediate plate cross connector IVB WKF 2,5-x must be used.

## Supply terminal

### WKF 16/35 PV/WKFN

- Supply terminal for mounting on TS 35
- Nominal cross section 2.5 mm<sup>2</sup>
- Ex e I/II Ⓜ II 2GD IM2  
Follow the EX installation instructions on page 143



Description	Type	Part No.	Std. Pack
Supply terminal, gray	WKF 16/35 PV/WKFN	56.716.0353.0	20
<b>General data</b>			
Width / length / height, incl. TS 7.5	12 mm / 82 mm / 48 mm		
Wire strip length	15 mm		
Approvals	IEC ATEX KEMA 01 ATEX 2087 U		
<b>Technical data</b>	<b>IEC</b>	<b>UL</b>	<b>CSA</b>
	EN 60 947-7-3		EN 60 079-0/-7
Cross section fine-stranded	4–16 mm <sup>2</sup>		4–16 mm <sup>2</sup>
Cross section solid/stranded	4–16 mm <sup>2</sup>		4–16 mm <sup>2</sup>
Cross section, AWG		24–4	12–4
Rated current	76 A	75 A	78 A
Rated voltage	800 V	600 V	600 V
Rated impulse voltage	8 kV		
Pollution degree	3		
<b>Note</b>	<sup>1)</sup> Derating curves available on request		
<b>Accessories</b>			
	Type	Part No.	Std. Pack
Cover with warning symbol over 4 blocks	ADF 16/4 GELB	04.343.6653.8	10
Screwdriver, uninsulated	DIN 5264 B 1,0x5,5	06.502.4200.0	5

Potential distribution	one side		both sides	
	single	double	single	double
Jumpering				
IVB WKF 4...				
I <sub>max</sub>	64	76	76	76
I <sub>Nblock</sub>	32	32	32	32

$$I_{\max} = \sum I_n \leq \sum I_{Nblock}$$

## Accessories for fasis WKFN 4 FSI...

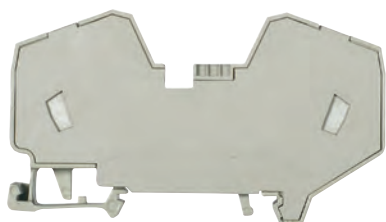


Accessories	Type	Part No.	Std. Pack
Cross connector, insulated, for	2 blocks	IVB WKF 4–2	Z7.261.1227.0
	3 blocks	IVB WKF 4–3	Z7.261.1327.0
	4 blocks	IVB WKF 4–4	Z7.261.1427.0
	5 blocks	IVB WKF 4–5	Z7.261.1527.0
	6 blocks	IVB WKF 4–6	Z7.261.1627.0
	7 blocks	IVB WKF 4–7	Z7.261.1727.0
	8 blocks	IVB WKF 4–8	Z7.261.1827.0
	9 blocks	IVB WKF 4–9	Z7.261.1927.0
	10 blocks	IVB WKF 4–10	Z7.261.1027.0
	Wire entry guide	0.13–0.2 mm <sup>2</sup>	LEL 4/1 WEISS
0.25–0.5 mm <sup>2</sup>		LEL 4/2 GRAU	05.561.8653.0
0.75–1.0 mm <sup>2</sup>		LEL 4/1 SCHWARZ	05.561.8753.0
Cover with warning symbol over 4 blocks	yellow	ADF 4/4 GELB	04.343.6153.8
Screwdriver, uninsulated		DIN 5264 B 0,6x3,5	06.502.4000.0
Screwdriver, uninsulated, MINI		DIN 5264 B 0,6x3,5 M	06.502.5000.0

## Supply terminal

### WKF 16/35 PV/WKFN

- Supply terminal for mounting on TS 35
- Nominal cross section 2.5 mm<sup>2</sup>
- Ex e I/II Ⓜ II 2GD IM2  
Follow the EX installation instructions on page 143



Description	Type	Part No.	Std. Pack
Supply terminal, gray	WKF 16/35 PV/WKFN	56.716.0353.0	20
<b>General data</b>			
Width / length / height, incl. TS 7.5	12 mm / 82 mm / 48 mm		
Wire strip length	15 mm		
Approvals	IEC ATEX KEMA 01 ATEX 2087 U		
<b>Technical data</b>	<b>IEC</b>	<b>UL</b>	<b>CSA</b>
	EN 60 947-7-3		EN 60 079-0/-7
Cross section fine-stranded	4–16 mm <sup>2</sup>		4–16 mm <sup>2</sup>
Cross section solid/stranded	4–16 mm <sup>2</sup>		4–16 mm <sup>2</sup>
Cross section, AWG		24–4	12–4
Rated current	76 A	75 A	64 A <sup>1)</sup>
Rated voltage	800 V	600 V	600 V
Rated impulse voltage	8 kV		
Pollution degree	3		
<b>Note</b>	<sup>1)</sup> Derating curves available on request		

Accessories	Type	Part No.	Std. Pack
Cover with warning symbol over 4 blocks	ADF 16/4 GELB	04.343.6653.8	10
Screwdriver, uninsulated	DIN 5264 B 1,0x5,5	06.502.4200.0	5

Potential distribution	one side		both sides	
	$I_n$	$I_{max}$	$I_n$	$I_{max}$
Jumpering	single	double	single	double
IVB WKF 4...				
$I_{max}$	64	76	76	76
$I_{Nblock}$	32	32	32	32

$$I_{max} = \sum I_n \leq \sum I_{Nblock}$$

## Accessories for fasis WKFN 4 FSI...



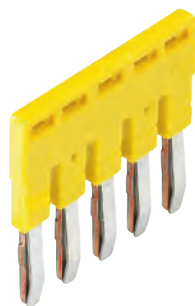
Accessories	Type	Part No.	Std. Pack	
Cross connector, insulated, for	2 blocks	IVB WKF 4–2	Z7.261.1227.0	10
	3 blocks	IVB WKF 4–3	Z7.261.1327.0	10
	4 blocks	IVB WKF 4–4	Z7.261.1427.0	10
	5 blocks	IVB WKF 4–5	Z7.261.1527.0	10
	6 blocks	IVB WKF 4–6	Z7.261.1627.0	10
	7 blocks	IVB WKF 4–7	Z7.261.1727.0	20
	8 blocks	IVB WKF 4–8	Z7.261.1827.0	20
	9 blocks	IVB WKF 4–9	Z7.261.1927.0	20
	10 blocks	IVB WKF 4–10	Z7.261.1027.0	20
	Wire entry guide	0.13–0.2 mm <sup>2</sup>	LEL 4/1 WEISS	05.561.8553.0
0.25–0.5 mm <sup>2</sup>		LEL 4/2 GRAU	05.561.8653.0	100
0.75–1.0 mm <sup>2</sup>		LEL 4/1 SCHWARZ	05.561.8753.0	100
Cover with warning symbol over 4 blocks	yellow	ADF 4/4 GELB	04.343.6153.8	10
Screwdriver, uninsulated		DIN 5264 B 0,6x3,5	06.502.4000.0	5
Screwdriver, uninsulated, MINI		DIN 5264 B 0,6x3,5 M	06.502.5000.0	10



## Cross connectors and jumper bars

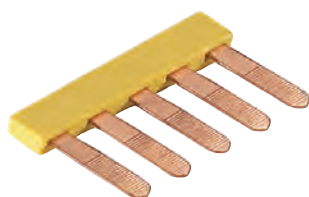
### Cross connectors

- Cross connector poles can be individually removed.
- When cross connectors with removed poles are used, the rated voltage is reduced to 400 V.
- You can cut a 10-wire connector plug in half to form two 5-wire connector plugs, but an end cover plate or isolating plate must then be inserted.



Description	Type	Part No.	Std. Pack
<b>1.5 mm<sup>2</sup>, 4 mm wide</b>	IVB WKF 1,5-2	Z7.260.0227.0	10
	IVB WKF 1,5-3	Z7.268.0327.0	10
	IVB WKF 1,5-4	Z7.268.0427.0	10
	IVB WKF 1,5-5	Z7.268.0527.0	10
	IVB WKF 1,5-10	Z7.268.1027.0	10
	IVB WKF 1,5-20	Z7.268.2027.0	10
<b>2.5 mm<sup>2</sup>, 5 mm wide</b>	IVB WKF 2,5-2	Z7.280.6227.0	10
	IVB WKF 2,5-3	Z7.280.6327.0	10
	IVB WKF 2,5-4	Z7.280.6427.0	10
	IVB WKF 2,5-5	Z7.280.6527.0	10
	IVB WKF 2,5-6	Z7.280.6627.0	10
	IVB WKF 2,5-7	Z7.280.6727.0	20
	IVB WKF 2,5-8	Z7.280.6827.0	20
	IVB WKF 2,5-9	Z7.280.6927.0	20
	IVB WKF 2,5-10	Z7.280.7027.0	20
	IVB WKF 2,5-20	Z7.280.8027.0	20
	IVB WKF-V	Z7.261.1127.0	10
<b>4 mm<sup>2</sup>, 6 mm wide</b>	IVB WKF 4-2	Z7.261.1227.0	10
	IVB WKF 4-3	Z7.261.1327.0	10
	IVB WKF 4-4	Z7.261.1427.0	10
	IVB WKF 4-5	Z7.261.1527.0	10
	IVB WKF 4-6	Z7.261.1627.0	10
	IVB WKF 4-7	Z7.261.1727.0	10
	IVB WKF 4-8	Z7.261.1827.0	10
	IVB WKF 4-9	Z7.261.1927.0	10
	IVB WKF 4-10	Z7.261.2027.0	10
	<b>6 mm<sup>2</sup>, 8 mm wide</b>	IVB WKF 6-2	Z7.282.5227.0
IVB WKF 6-5		Z7.282.5527.0	10
<b>10 mm<sup>2</sup>, 10 mm wide</b>	IVB WKF 10-2	Z7.283.8227.0	10
<b>16 mm<sup>2</sup>, 12 mm wide</b>	IVB WKF 16-2	Z7.284.4227.0	10
<b>35 mm<sup>2</sup>, 16 mm wide</b>	IVB WKF 35-2	Z7.285.6227.0	10
	IVB WKF 35R10-2	Z7.285.6427.0	10
<b>Jumping cross connectors for WT 2,5, WTP 2,5/4 and WKF 2,5</b>			
3 pole 1-3		99.013.9999.9	10
4 pole 1-4		99.014.9999.9	10
5 pole 1-5		99.015.9999.9	10
5 pole 1 to 3 to 5		99.031.9999.9	10
7 pole 1 to 3, 5 and 7		99.032.9999.9	10
9 pole 1 to 3, 5, 7 and 9		99.033.9999.9	10
11 pole 1 to 3, 5, 7, 9 and 11		99.034.9999.9	10
Additional combinations upon request			

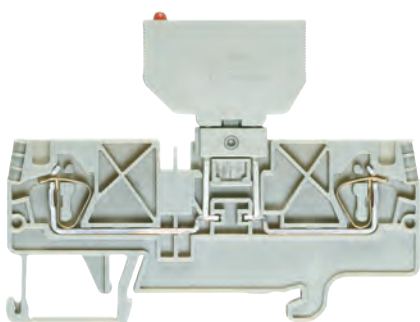
### Jumper bar, insulated Jumper comb, insulated



Description	Type	Part No.	Std. Pack
<b>WK 4/U and WK 4 TK, 6mm wide, 0.5mm thick</b>			
Jumper comb, insulated	IVB 0,5 WK 4-2	Z7.255.0227.0	10
	IVB 0,5 WK 4-12	Z7.255.0227.0	10
<b>WK 4/U and WK 4 TK, 6mm wide, 1mm thick</b>			
Jumper comb, insulated	IVB 1 WK 4-2	Z7.255.4227.0	10
	IVB 1 WK 4-12	Z7.255.4227.0	10
<b>WK 6, WKN 6 TK, WK 4 THSi 6,3x32</b>			
Jumper comb, insulated	IVK WKN 6 TK-2	Z7.255.8227.0	10
	IVK WKN 6 TK-3	Z7.255.8327.0	10
	IVK WKN 6 TK-4	Z7.256.8427.0	10
	IVK WKN 6 TK-5	Z7.256.8527.0	10
	IVK WKN 6 TK-6	Z7.256.8527.0	10

### WKFN 4 TKG with SiST

- Disconnect block with tension spring connection for mounting on TS 35
- Nominal cross section 4 mm<sup>2</sup>



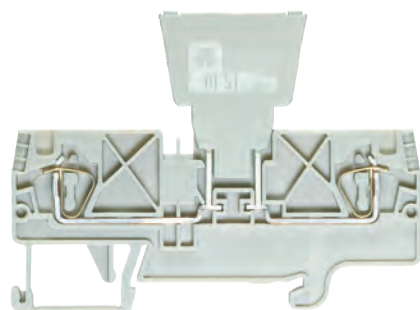
Description	Type	Part No.	Std. Pack
Disconnect block, gray	WKFN 4 TKG/35	56.704.4055.0	100
Fuse holder for fuse 5 x 20	Si ST	Z1.299.4055.0	10
Fuse holder with indicator (24 V) <sup>2)</sup>	Si ST LED	Z1.299.4155.0	10
Fuse holder with indicator (220 V) <sup>2)</sup>	Si ST GL	Z1.299.4255.0	10

General data				
Width / length / height, incl. TS 7.5	6 mm / 82 mm / 38 mm			
Wire strip length	11 mm			
Approvals				
Technical data		IEC	UL	CSA
		EN 60 947-7-3		
Cross section fine-stranded	0.13–4 mm <sup>2</sup>			
Cross section solid/stranded	0.13–6 mm <sup>2</sup>			
Cross section, AWG	24–10			
Rated current	1) <sup>1)</sup>	24–10	22–10	
Rated voltage	500 V <sup>2)</sup>	600 V <sup>2)</sup>	300 V <sup>2)</sup>	
Rated impulse voltage	8 kV			
Pollution degree	3			

Accessories	Type	Part No.	Std. Pack
End plate, gray	APFN 4 D2/2	07.312.9055.0	10
Partition, gray	TWFN 4 D2/2	07.312.9155.0	10

### WKFN 4 TKG with DiST

- Disconnect block with tension spring connection for mounting on TS 35
- Nominal cross section 4 mm<sup>2</sup>



Description	Type	Part No.	Std. Pack
Disconnect block, gray	WKFN 4 TKG/35	56.704.4055.0	100
Diode plug–empty	J <sub>max</sub> = 10 A <sup>1)</sup> DIST ...	Z1.299.3055.0	10
Diode plug–diode	J <sub>max</sub> = 1 A <sup>1)</sup> DIST-1 N 4007-1 <sup>3)</sup>	Z1.299.3155.0	10
Diode plug–diode	J <sub>max</sub> = 1 A <sup>1)</sup> DIST-1 N 4007-2 <sup>4)</sup>	Z1.299.3355.0	10
Diode plug with jumper	J <sub>max</sub> = 10 A <sup>1)</sup> DIST-D	Z1.299.3255.0	10

General data				
Width / length / height, incl. TS 7.5	6 mm / 82 mm / 38 mm			
Wire strip length	11 mm			
Approvals				
Technical data		IEC	UL	CSA
		EN 60 947-7-3		
Cross section fine-stranded	0.13–4 mm <sup>2</sup>			
Cross section solid/stranded	0.13–6 mm <sup>2</sup>			
Cross section, AWG	24–10			
Rated current	1) <sup>1)</sup>	24–10	22–10	
Rated voltage	500 V <sup>2)</sup>	600 V <sup>2)</sup>	300 V <sup>2)</sup>	
Rated impulse voltage	8 kV			
Pollution degree	3			

Accessories	Type	Part No.	Std. Pack
End plate, gray	APFN 4 D2/2	07.312.9055.0	10
Partition, gray	TWFN 4 D2/2	07.312.9155.0	10

## Info and Accessories for fasis WKFN 4 TKG with SiST and DiST

<sup>1)</sup> The current is determined by the inserted fuse.  
<sup>2)</sup> The voltage range is determined by the built-in LED display. Depending on the application and the installation method, the circumstances for increased temperature must be checked in the closed fuse holders.  
 Higher ambient temperatures are an additional load for the fuse inserts. Therefore, the reduction of the rated current must be considered accordingly in these applications.  
 Indicator (24 V): LED, red  
 current consumption: 10.3 mA  
 Indicator (220 V): LED, red  
 current consumption: 0.3 mA  
<sup>3/4)</sup> Periodic peak voltage 1000 V  
 Direction of the diode: Anode Cathode<sup>3)</sup>  
 Cathode Anode<sup>4)</sup>

Accessories	Type	Part No.	Std. Pack	
Cross connector, insulated	2 pole	IVB WKF 4-2	Z7.261.1227.0	10
	3 pole	IVB WKF 4-3	Z7.261.1327.0	10
	4 pole	IVB WKF 4-4	Z7.261.1427.0	10
	5 pole	IVB WKF 4-5	Z7.261.1527.0	10
	6 pole	IVB WKF 4-6	Z7.261.1627.0	10
	7 pole	IVB WKF 4-7	Z7.261.1727.0	20
	8 pole	IVB WKF 4-8	Z7.261.1827.0	20
	9 pole	IVB WKF 4-9	Z7.261.1927.0	20
	10 pole	IVB WKF 4-10	Z7.261.2027.0	20
	Wire entry guide	0.13–0.2 mm <sup>2</sup>	LEL 4/1 WEISS	05.561.8553.0
0.25–0.5 mm <sup>2</sup>		LEL 4/2 GRAU	05.561.8653.0	100
0.75–1.0 mm <sup>2</sup>		LEL 4/3 SCHWARZ	05.561.8753.0	100
Cover with warning symbol over 4 blocks	yellow	ADF 4/4 GELB	04.343.6153.8	10
Test adapter, modular	ST 2/2,3	Z5.553.2921.0	10	
Screwdriver, uninsulated	DIN 5264 B 0,6x3,5	06.502.4000.0	5	
Screwdriver, uninsulated, MINI	DIN 5264 B 0,6x3,5 M	06.502.5000.0	10	

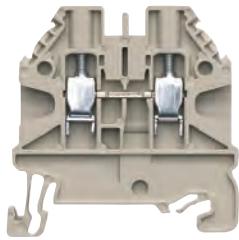
Type	Rated voltage	Overload protection		Exclusive short-circuit protection	
		Single arrangement	Group arrangement	Single arrangement	Group arrangement
SiST	250 V	1.6 W	1.6 W	2.5 W	1.6 W

When selecting G fuse inserts, make sure that the specified maximum power is not exceeded.  
 Maximum power loss at 23°C ambient temperature (according to DIN EN 60947-7-3)

## Feed-through blocks with screw connection

### WT 2,5

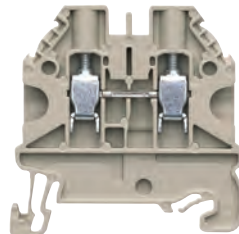
- Feed-through block with screw connection for mounting on TS 35
- Nominal cross section 2.5 mm<sup>2</sup>
- Max. electrical data: 32 A/4 mm<sup>2</sup>
- Connection capacity: 2 wires, equal size 0.14 – 1.5 mm<sup>2</sup>



Description	Type	Part No.	Std. Pack
Feed-through block, gray	WT 2,5	58.503.0055.0	100
Feed-through block, blue	WT 2,5 BL	58.503.0055.6	100
<b>General data</b>			
Width / length / height, incl. TS 7.5	5 mm / 48 mm / 48 mm		
Wire strip length	9 mm		
Approvals			
<b>Technical data</b>	<b>IEC</b>	<b>UL</b>	<b>CSA</b>
	EN 60 947-7-1		
Cross section fine-stranded	0.14–4 mm <sup>2</sup>		pending
Cross section solid/stranded	0.14–4 mm <sup>2</sup>		
Cross section, AWG			26–12
Rated current	24 A		20 A
Rated voltage	1000 V		600 V
Rated impulse voltage	8 kV		
Pollution degree	3		
<b>Accessories</b>			
	Type	Part No.	Std. Pack
End plate	AP WT 2,5-10	07.313.2555.0	10
Cross connector	2 pole IVB WKF 2,5-2	Z7.280.6227.0	10
	3 pole IVB WKF 2,5-3	Z7.280.6327.0	10
	4 pole IVB WKF 2,5-4	Z7.280.6427.0	10
	5 pole IVB WKF 2,5-5	Z7.280.6527.0	10
	10 pole IVB WKF 2,5-10	Z7.280.7027.0	20
	20 pole IVB WKF 2,5-20	Z7.280.8027.0	20

### WT 4

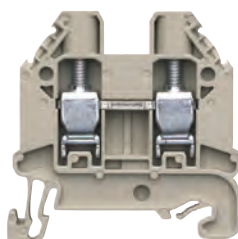
- Feed-through block with screw connection for mounting on TS 35
- Nominal cross section 4 mm<sup>2</sup>
- Max. electrical data: 41 A/6 mm<sup>2</sup>
- Connection capacity: 2 wires, equal size 0.14 – 2.5 mm<sup>2</sup>



Description	Type	Part No.	Std. Pack
Feed-through block, gray	WT 4	58.504.0055.0	100
Feed-through block, blue	WT 4 BL	58.504.0055.6	100
<b>General data</b>			
Width / length / height, incl. TS 7.5	6 mm / 48 mm / 48 mm		
Wire strip length	9 mm		
Approvals			
<b>Technical data</b>	<b>IEC</b>	<b>UL</b>	<b>CSA</b>
	EN 60 947-7-1		
Cross section fine-stranded	0.14–6 mm <sup>2</sup>		pending
Cross section solid/stranded	0.14–6 mm <sup>2</sup>		
Cross section, AWG		26–10	26–10
Rated current	32 A	30 A	30 A
Rated voltage	1000 V	600 V	600 V
Rated impulse voltage	8 kV		
Pollution degree	3		
<b>Accessories</b>			
	Type	Part No.	Std. Pack
End plate	AP WT 2,5-10	07.313.2555.0	10
Cross connector	2 pole IVB WKF 4-2	Z7.261.1227.0	10
	3 pole IVB WKF 4-3	Z7.261.1327.0	10
	4 pole IVB WKF 4-4	Z7.261.1427.0	10
	5 pole IVB WKF 4-5	Z7.261.1527.0	10
	10 pole IVB WKF 4-10	Z7.261.2027.0	20

### WT 6

- Feed-through block with screw connection for mounting on TS 35
- Nominal cross section 6 mm<sup>2</sup>
- Max. electrical data: 57 A/10 mm<sup>2</sup>
- Connection capacity: 2 wires, equal size 0.2 – 4 mm<sup>2</sup>



Description	Type	Part No.	Std. Pack
Feed-through block, gray	WT 6	58.506.0055.0	100
Feed-through block, blue	WT 6 BL	58.506.0055.6	100
<b>General data</b>			
Width / length / height, incl. TS 7.5	8 mm / 48 mm / 48 mm		
Wire strip length	11 mm		
Approvals			
<b>Technical data</b>	<b>IEC</b>	<b>UL</b>	<b>CSA</b>
	EN 60 947-7-1		
Cross section fine-stranded	0.2–10 mm <sup>2</sup>		pending
Cross section solid/stranded	0.2–10 mm <sup>2</sup>		
Cross section, AWG		24–8	24–8
Rated current	41 A	50 A	50 A
Rated voltage	1000 V	600 V	600 V
Rated impulse voltage	8 kV		
Pollution degree	3		
<b>Accessories</b>			
	Type	Part No.	Std. Pack
End plate	AP WT 2,5-10	07.313.2555.0	10
Cross connector	2 pole IVB WKF 6-2	Z7.282.5227.0	10
	3 pole IVB WKF 6-3	Z7.282.5327.0	10
	4 pole IVB WKF 6-4	Z7.282.5427.0	10
	5 pole IVB WKF 6-5	Z7.282.5527.0	10
	10 pole IVB WKF 6-10	Z7.282.6027.0	10