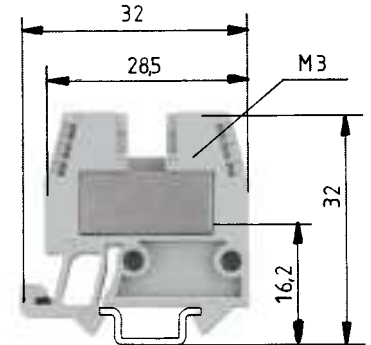
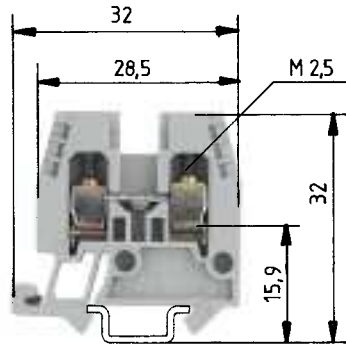


Mini blocks with screw connection for TS 15



0344 II 2GD IM2
 Ex e I/II
 EN 60947-7-2/DIN VDE 0611 T3
 UL ratings Field/factory wiring
 CSA ratings
 KEMA 02 ATEX 2114 U¹⁾ EN 60079-0/EN 60079-7
 Width Wire strip length
 Approvals

WKM 2,5/15

fine-stranded solid V A
 0.5-2.5 mm² 0.5-4 mm² 500V/6kV/3 25
 No. 22-14 AWG 300V 10
 No. 22-12 AWG 600V 25
 0.5-2,5mm² 0.5-4mm² 275V 20/20²⁾
 5mm 9mm



WKM 4/15

fine-stranded solid V A
 0.5-4 mm² 0.5-6 mm² 500V/6kV/3 28
 No. 22-10 AWG 600V 30
 No. 20-10 AWG 600V 37
 0.5-4 mm² 0.5-6 mm² 275V 21/27²⁾
 6mm 9mm



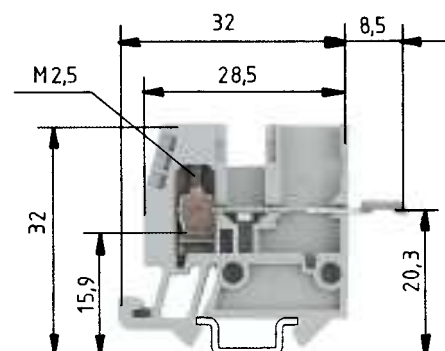
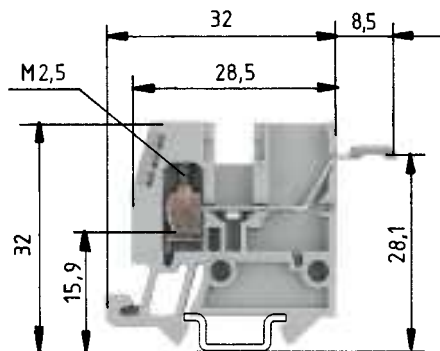
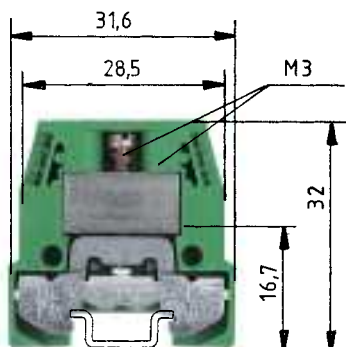
		Type	Part No.	Std. Pack	Type	Part No.	Std. Pack
Feed-through blocks with solder connection	gray						
Feed-through block	gray	WKM 2,5/15	55.503.1053.0	100	WKM 4/15	55.504.1053.0	100
Feed-through block	blue	WKM 2,5/15 BLAU	55.503.1053.6	100	WKM 4/15 BLAU	55.504.1053.6	100
Ground block	green / yellow						
Accessories							
1. Mounting rail 15, DIN rail 5,5mm high	L = 2m	9021/15 x 5,5 EN 60715	98.090.0015.0	10	9021/15 x 5,5 EN 60715	98.090.0015.0	10
2. End clamp, Polyamide	7.5 mm wide	9208 S 15	Z5.522.7553.0	100	9208 S 15	Z5.522.7553.0	100
3. End plate	gray	APM 2,5 - 4/15	07.311.0853.0	10	APM 2,5 - 4/15	07.311.0853.0	10
	blue	APM 2,5 - 4/15 BLAU	07.311.0853.6	10	APM 2,5 - 4/15 BLAU	07.311.0853.6	10
4. Partition	gray	TWM 2,5 - 4/15	07.311.1853.0	10	TWM 2,5 - 4/15	07.311.1853.0	10
5. Cross connector with screws, E-Cu							
	2 pole	VB WKM 2,5/15-2	Z7.215.4227.0	50	IVB WK 4 E/U-2	Z7.271.2227.0	10
	3 pole	VB WKM 2,5/15-3	Z7.215.4327.0	50	IVB WK 4 E/U-3	Z7.271.2327.0	10
	to 6 pole	VB WKM 2,5/15-6	Z7.215.4627.0	50			
	to 12 pole				IVB WK 4 E/U-12	Z7.271.3227.0	10
	60 pole	VB WKM 2,5/15 M60	Z7.215.4027.0	10			
6. Single cover f. cross conn. with marking facility		AD VB 2,5/15 GELB	04.326.3053.8	10	AD VB 4/15 GELB	04.326.2953.8	10
7. Partition plate with marking facility		TSM 2,5/15	07.311.2853.8	10	TSM 4/15	07.311.2953.8	10
For marking systems see pages 72-77							
When selectable connecting links are used, a partition must be used. The rated voltage is reduced to 400V/6kV/3.							

¹⁾ Please note the mounting instructions.

²⁾ With/without jumper

³⁾ Ratings to adjacent feed-through blocks of the same series and size.

The terminal blocks of series WKM 2,5 F1/15 and WKM 2,5 F2/15 must be mounted alternately in order to maintain the required air and creepage distances for the indicated rated voltage.



WKM 4 SL/15

fine-stranded solid V A
 0.5-4 mm² 0.5-6 mm² 500 V/6 kV/3³ 30
 No. 22-14 AWG 300 V
 No. 22-10 AWG
 0.5-4 mm² 0.5-6 mm²
 6 mm 9 mm 5 mm

WKM 2,5 F1/15

fine-stranded solid V A
 0.5-2.5 mm² 0.5-4 mm² 500 V/6 kV/3 24
 9 mm 5 mm

WKM 2,5 F2/15

fine-stranded solid V A
 0.5-2.5 mm² 0.5-4 mm² 500 V/6 kV/3 24
 9 mm 5 mm 9 mm

Type	Part No.	Std. Pack	Type	Part No.	Std. Pack	Type	Part No.	Std. Pack
			WKM 2,5 F1/15	55.503.1253.0	100	WKM 2,5 F2/15	55.503.1353.0	100
WKM 4 SL/15	55.504.9153.0	100						
9021/15 x 5,5 EN 60715	98.090.0015.0	10	9021/15 x 5,5 EN 60715	98.090.0015.0	10	9021/15 x 5,5 EN 60715	98.090.0015.0	10
9208 S 15	Z5.522.7553.0	100	9208 S 15	Z5.522.7553.0	100	9208 S 15	Z5.522.7553.0	100
APM 4 SL/15	07.311.0753.0	10	APM 2,5 F/15	07.311.0653.0	10	APM 2,5 F/15	07.311.0653.0	10
			VB WKM 2,5/15-2	Z7.215.4227.0	50	VB WKM 2,5/15-2	Z7.215.4227.0	50
			VB WKM 2,5/15-3	Z7.215.4327.0	50	VB WKM 2,5/15-3	Z7.215.4327.0	50
			VB WKM 2,5/15-6	Z7.215.4627.0	50	VB WKM 2,5/15-6	Z7.215.4627.0	50
VB WKM 2,5/15 M60	Z7.215.4027.0	10	VB WKM 2,5/15 M60	Z7.215.4027.0	10	VB WKM 2,5/15 M60	Z7.215.4027.0	10
			AD VB 2,5/15 GELB	04.326.3053.8	10	AD VB 2,5/15 GELB	04.326.3053.8	10
			TSM 2,5/15	07.311.2853.8	10	TSM 2,5/15	07.311.2853.8	10