

4"

Low Voltage Trims

(LAMP WATTAGE: 75W 12V MR16 / 50W 120V GU10)

Catalog Number:

Project Name:

Type:

Note:

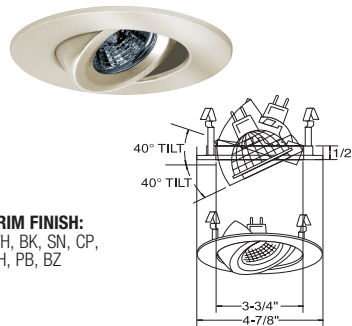


B1468W-WH
FULLY ADJ. W/ BAFFLE (35° TILT, 359° ROT.)



AVAILABLE COLOR COMBINATIONS:
CP-CP, SN-SN, W-WH, P-WH, P-BK, BZ-BZ

B1461SN
ADJUSTABLE GIMBAL (40° TILT)



TRIM FINISH:
WH, BK, SN, CP, CH, PB, BZ

B1408WH
FULLY ADJUSTABLE (75° TILT, 359° ROT.)



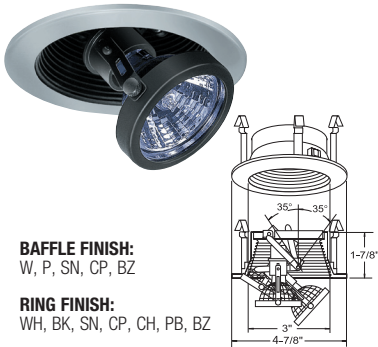
TRIM FINISH:
WH, BK, SN, CP, CH, PB, BZ

B1406CP
SURFACE ADJUSTABLE (90° TILT, 359° ROT.)



TRIM FINISH:
WH, BK, SN, CP, CH, PB, BZ

B1413P-SN
PULL DOWN ADJUSTABLE



BAFFLE FINISH:
W, P, SN, CP, BZ

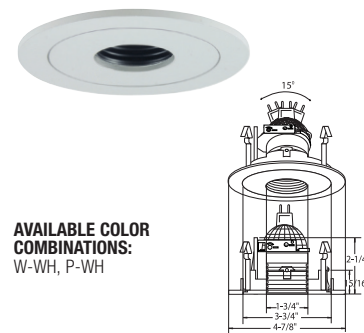
RING FINISH:
WH, BK, SN, CP, CH, PB, BZ

B1419BK
ADJUSTABLE SPOT (40° TILT)



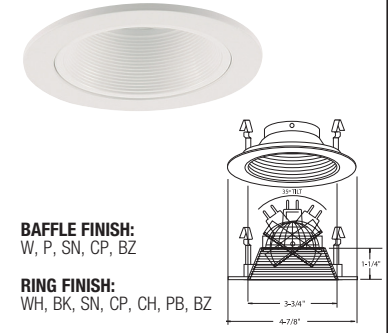
TRIM/RING FINISH:
WH, BK, SN

B1433P-WH
ADJUSTABLE PINHOLE BAFFLE (15° TILT)



AVAILABLE COLOR COMBINATIONS:
W-WH, P-WH

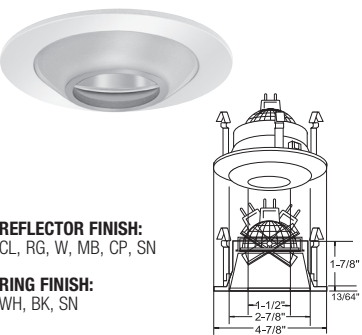
B1417W-WH
METAL STEPPED BAFFLE



BAFFLE FINISH:
W, P, SN, CP, BZ

RING FINISH:
WH, BK, SN, CP, CH, PB, BZ

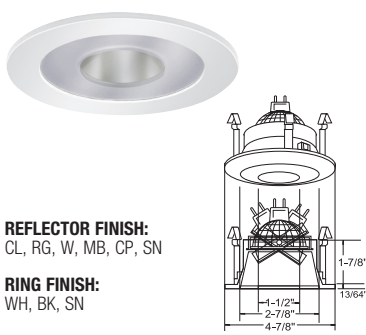
B1426CL-WH
THE ILLUMINATOR II



REFLECTOR FINISH:
CL, RG, W, MB, CP, SN

RING FINISH:
WH, BK, SN

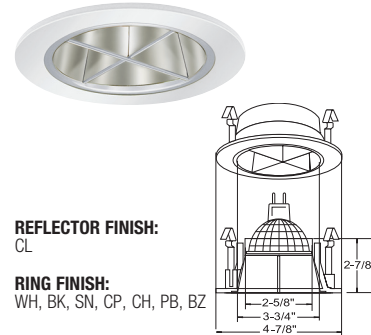
B1427CL-WH
THE ILLUMINATOR



REFLECTOR FINISH:
CL, RG, W, MB, CP, SN

RING FINISH:
WH, BK, SN

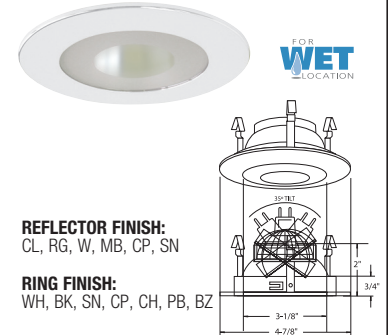
B1477CL-WH
CROSSBLADE REFLECTOR



REFLECTOR FINISH:
CL

RING FINISH:
WH, BK, SN, CP, CH, PB, BZ

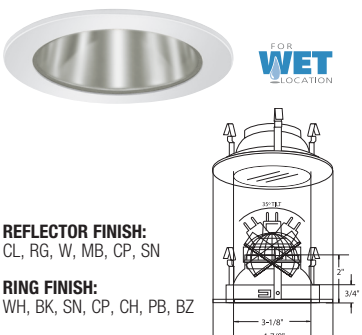
B1462CL-WH
SEMI-FROSTED SHOWER TRIM



REFLECTOR FINISH:
CL, RG, W, MB, CP, SN

RING FINISH:
WH, BK, SN, CP, CH, PB, BZ

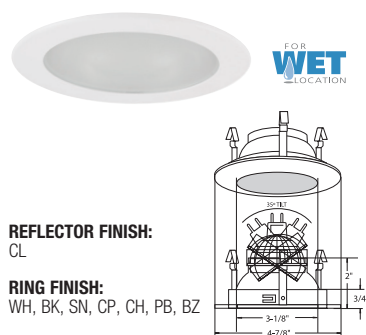
B1452CL-WH
CLEAR LENS SHOWER TRIM



REFLECTOR FINISH:
CL, RG, W, MB, CP, SN

RING FINISH:
WH, BK, SN, CP, CH, PB, BZ

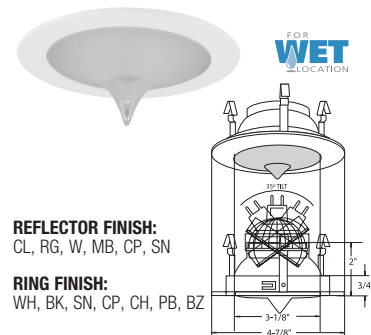
B1437WH
SMOOTH FROST SHOWER LITE



REFLECTOR FINISH:
CL

RING FINISH:
WH, BK, SN, CP, CH, PB, BZ

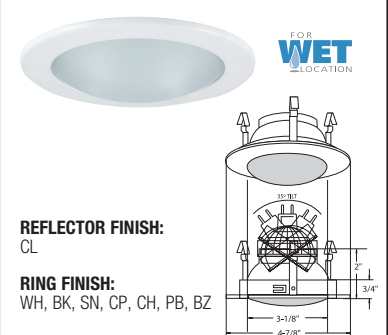
B1438WH
DESIGNER POINT SHOWER LITE



REFLECTOR FINISH:
CL, RG, W, MB, CP, SN

RING FINISH:
WH, BK, SN, CP, CH, PB, BZ

B1439WH
SMOOTH FROST DOME SHOWER LITE



REFLECTOR FINISH:
CL

RING FINISH:
WH, BK, SN, CP, CH, PB, BZ



Submittal form is available @ www.iuseelite.com
Tel: 323-888-1973 • Fax: 323-888-1977

Specifications and Dimensions subject to change without notice.

REV: MAXILUME-SPEC-05-26-2011