

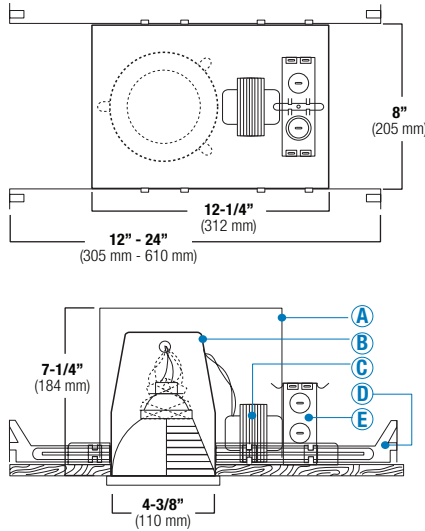
# BL4IC

## 4" Miniature Low Voltage IC Housing

LAMP WATTAGE: (1) MAXIMUM 12V 50W MR16



DESIGNED FOR 2" X 8" JOIST CONSTRUCTION



Catalog Number:

Project Name:

Type:

Note:



### DESCRIPTION

Small aperture low voltage, thermally protected IC rated, specification grade recessed shallow housing. Designed for new construction. Accommodates up to 50W MR16 lamps. Furnished with preinstalled adjustable bar hangers. Junction box is provided with four 1/2" KOs, one 3/4" KO and four Romex knockouts with strain relief.

### SPECIFICATION

**A. OUTER HOUSING** - Die-formed aluminum construction for maximum heat dissipating air chamber on top of the housing. Junction box could be accessed from inside and outside housing.

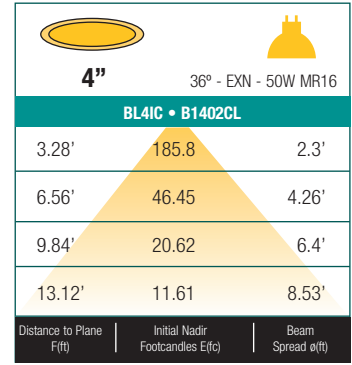
**B. INNER HOUSING** - Deep-drawn single piece aluminum construction for maximum heat dissipation and rust protection. Adjusts vertically in plaster frame to accommodate 1/2" to 1-3/8" ceiling.

**C. TRANSFORMER** - Enhanced in heat dissipating cover, to provide noise free operation. Attached to junction box cover so it may be serviced from below the ceiling. Thermally protected.

- **M**-Class H dimming magnetic transformer.
- **E**-Class II dimming electronic transformer (LighTech part #LET 75 BF)
- **TOR**-Class H dimming toroidal transformer, providing 35% more lumens than traditional transformers. Constructed of M3 grade silicone steel. (Must use dimmers rated for electromagnetic transformer)

**D. BAR HANGERS** - Preinstalled bar hangers allow housing to be positioned and locked at any point within a 24" joist span and can be shortened for 12" joists. Integral bar hanger nailers are designed to be hammered directly into the joist without additional nails or screws and makes installation fast and accurate. Bar hangers can fit onto T-Bar spline with additional slots and holes for special mounting methods if necessary.

**E. JUNCTION BOX** - ETL and UL listed for through-branch circuit wiring and has four 1/2" KOs, one 3/4" KO and four Romex knockouts with true pry-out slots and strain clamps.



BEAM DIA. MEASURED AT 50% OF NADIR F.C.

### FEATURES

- Integral low voltage magnetic transformer to prolong lamp life and increase lighting quality.
- Thermally Protected IC housing.
- Designed for accent and task lighting applications.
- Wire through junction box.
- Preinstalled adjustable bar hangers.
- Dependable, favorable design and effortless installation.
- 7-1/4" height allows use in 2" x 8" joist construction.
- Special screw on the frame locks bar hangers in place which prevents the housing from any movement once installed.

### OPTIONS

#### 1. AIR-SHUT

- **Gasket to prevent air flow from heated or air conditioned spaces.**
- **Meets all national air flow requirements.**

### UL AND C-UL/ETL AND C-ETL LISTED

For Damp location  
For Feed-through wiring  
For Direct contact with insulation

BL4IC - ITEM SELECTOR: (Please check the boxes below for the option desired)

WATTAGE	TRIM TYPE	BAFFLE	TRIM RING	MR 16 LENS FILTER
◆ 20W	◆ B1451 <sup>1</sup> ◆ B1476 <sup>2</sup> ◆ B1494 ◆ B1425 ◆ B1439 ◆ B1411	◆ W	◆ WH	◆ BP8MR16-BL (Blue) ◆ BP8MR16-FR (Frosted)
◆ 35W	◆ B1453 <sup>1</sup> ◆ B1478 ◆ B1496 ◆ B1469 ◆ B1463 ◆ B1416	◆ P	◆ BK	◆ BP8MR16-GR (Green) ◆ BP8MR16-SP (Spread)
◆ 50W	◆ B1454 <sup>1</sup> ◆ B1488 ◆ B1483 ◆ B1442 ◆ B1464 ◆ B1407	◆ SN	◆ SN	◆ BP8MR16-PI (Pink) ◆ BP8MR16-SF (Soft Focus)
<b>BALLAST</b>	◆ B1455 <sup>1</sup> ◆ B1486 ◆ B1432 ◆ B1420 ◆ B1465 ◆ B1414	◆ CP	◆ CP	◆ BP8MR16-PU (Purple) ◆ BP8MR16-HC (Honey Comb)
	◆ B1456 <sup>1</sup> ◆ B1489 ◆ B1434 ◆ B1422 ◆ B1466 ◆ B1415	◆ BZ	◆ CH	◆ BP8MR16-DL (Day Light) ◆ BP8MR16-LI (Linear)
	◆ B1457 <sup>1</sup> ◆ B1479 ◆ B1435 ◆ B1413 ◆ B1467 ◆ B1404	<b>REFLECTOR</b>	◆ PB	◆ BP8MR16-YE (Yellow) ◆ BP8MR16-SOL (Solite)
◆ (M) Magnetic	◆ B1458 <sup>1</sup> ◆ B1487 ◆ B1484 ◆ B1426 ◆ B1408 ◆ B1418	◆ CL	◆ BZ	◆ BP8MR16-AM (Amber) ◆ BP8MR16-CL (Clear)
◆ (E) Electronic	◆ B1459 <sup>1</sup> ◆ B1485 ◆ B1436 ◆ B1427 ◆ B1406 ◆ B1419	◆ RG	◆ CH <sup>1</sup>	◆ BP8MR16-OR (Orange) ◆ BP8MR16-UV (Ultraviolet)
◆ (TOR) Toroidal <sup>3</sup>	◆ B1460 <sup>1</sup> ◆ B1491 ◆ B1440 ◆ B1430 ◆ B1401 ◆ B1433	◆ W	◆ SS <sup>2</sup>	◆ BP8MR16-RE (Red)
<b>VOLTAGE</b>	◆ B1470 <sup>2</sup> ◆ B1480 ◆ B1441 ◆ B1431 ◆ B1402 ◆ B1417	◆ MB		
◆ 120	◆ B1471 <sup>2</sup> ◆ B1495 ◆ B1421 ◆ B1462 ◆ B1412 ◆ B1477	◆ BZ		
◆ 277	◆ B1472 <sup>2</sup> ◆ B1490 ◆ B1424 ◆ B1452 ◆ B1468	◆ CP		
<b>OPTION</b>	◆ B1474 <sup>2</sup> ◆ B1492 ◆ B1423 ◆ B1437 ◆ B1461	◆ SN		
◆ AT (Air-Shut)	◆ B1475 <sup>2</sup> ◆ B1481 ◆ B1409 ◆ B1438 ◆ B1403	◆ SHZ		

1 = CH - Chrome finished • 2 = SS - Stainless Steel finished • 3 = TOR -Toroidal available only in 120V

BAFFLE	REFLECTOR	TRIM/RING
W White	CL Chrome	WH White
P Black	RG Gold	BK Black
SN Satin Nickel	W White	SN Satin Nickel
CP Copper	MB Black	CP Copper
BZ Bronze	BZ Bronze	CH Chrome
	CP Copper	PB Polish Brass
	SN Satin Nickel	BZ Bronze
	SHZ Satin Haze	

### Specifications:

#### BL4IC

WATT BALLAST VOLTAGE OPTION TRIM TYPE BAFFLE REFLECTOR TRIM/RING FILTER (1) FILTER (2)

Sample of Catalog Number: BL4IC-20W-E-B1401-W-WH-BP8MR16-BL

\*For custom baffle, reflector, trim ring, glass color and lens options, please consult factory.



Submittal form is available @ [www.iuseelite.com](http://www.iuseelite.com)  
Tel: 323-888-1973 • Fax: 323-888-1977

Specifications and Dimensions subject to change without notice.

REV: ELITE LIGHTING-SPEC-05-24-2011