



### INSTALLATION



- Utilizes industry standard V or torsion springs, installs in most 6" and 5" incandescent down lights.
- Insert torsion springs into can and press trim to ceiling. Friction Blades included as well.



#### CERTIFICATIONS

- cULus
- RoHH
- IECC\*
- New York state
- Made in USA
- UL/cUL Listed for Wet
- UL/cUL Listed for Damp Location
- California Title 24
- Washington state

### ENGINEERED FOR VERSATILITY AND PERFORMANCE

The Elite iFit625 has been engineered for New Construction, Remodel and Retrofit applications for both 5 inch and 6 inch downlights. Dedicated housings install the same way as our standard incandescent downlights and include features such as adjustable, lockable and tilting bar hangers.

Over 620 usable lumens are directed from the luminaire to the work surface. Lighting is smooth and comfortable, all while using 75% less energy than the equivalent 65W BR30 and 25% less than the common 18W CFL. Plus the Elite iFit625 features 50,000 hours of life, and California Title-24 compliance.

### FEATURES

Greater light output than an 18W CFL or a 65W BR30 while consuming less than 14W of power. Fits in most 5 inch & 6 inch downlight housings.

### OPTICS

#### Anyone can mount a chip to a heat sink and make a down light.

Gather the light scattered by the LED chip, shape it into a functional beam with a state of the art reflector, integrate the light through a smooth reflector to minimize brightness, then top it all off with a glare reducing cone that has a 55-degree cut-off. Now you have the Elite-engineered, superior quality, iFit625 consuming less than 14 Watts and producing over 620 lumens. Smooth baffle design further minimizes glare and increases visual comfort.

### DURABILITY

Die-cast aluminum housing and heat management system are engineered for extremely long life and service period. Without proper heat management, any LED luminaire will fail. Our die-cast system pulls the heat from the LED chip, allowing the continued cool operation for years. Life tests have shown the Elite iFit625 light output will be maintained at 70% of initial at 50,000 hours of operation. Our superior design allows for installation in construction that requires the Elite Air-Shut™ system. Our LED driver is rated for 50 to 60 Hz at 120V input, produces less than 20% THD, has a power factor between 0.90 and 1.00 and is thermal protected for additional safety. For installations requiring a 277V driver please consult the factory.

### REPEATABLE

Repeatability means quality. From our chip selection process, to our driver, to the thermal management, the Elite iFit625 Module is engineered for quality. All Elite LED luminaires are rated at 80+ CRI, as rated and tested to LM-79 and LM-80 standards by an outside laboratory, and meets the California Title-24 compliance standards. Our stringent chip specifications to accept only those chips that produce no ultra violet light and with very minimal infrared.

### DIMMABLE

The Elite iFit625 lighting system is dimmable down to 10% by using an approved Incandescent dimmer or Select Electronic Low voltage dimmers. Refer to dimming matrix for more information.

### INTERCHANGEABLE

The Elite iFit625 LED system works in our dedicated (LD6IC-AT, LD6RIC-AT, LD5IC-AT, and LD5RIC-AT) housings and our existing 6" and 5" Incandescent housings (B6IC-AT, EZ6IC-AT, B26IC-AT, B26RIC-AT, B6RIC-AT, B5IC-AT, B25IC-AT, B5RIC-AT, and B25RIC-AT) but is also suitable for using in most 6-inch and 5-inch Incandescent recessed downlight housings.

### ADAPTABLE

All Elite iFit625 luminaires are shipped standard with our custom engineered Edison adapter. This adapter assembly allows the luminaires to install directly into existing Elite 5" and 6" incandescent downlight housings and most other 6-inch and 5-inch incandescent downlight housings. GU24 style socket base adapters also available upon request.

### OUR WORD

The Elite iFit625 is warranted for 5 years of flawless operation. As a system, we stand behind the entire Elite product from housing to bar hangers. When the iFit625 is installed in retrofit applications, only the **Module** itself is warranted.

**iFit625 - UNIVERSAL 5", 6" LED RETROFIT LIGHTING MODULE**

Socket bracket holds the socket for easy installation and maintenance

Ez connector to use with special High efficacy housing or Edison base adapter for retrofitting into existing 5" or 6" Incandescent Housings.

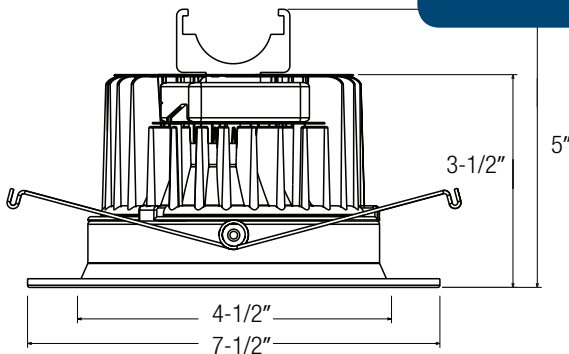
Adjustable slots allow for use in either 5" or 6" housings.

**iFit RL625**  
**5 years WARRANTY**

**iFit RL663**  
**5 years WARRANTY**

Torsion Springs can be changed to Friction blades for universal mounting.

**DIMENSIONS**



Example: **RL625-14W-DIMTR-120-30K-W-WH**

TYPE	620 LUMENS	COLOR	FINISH	OPTIONS
RL625 (BAFFLE)	<input type="checkbox"/> 14W-DIMTR-120	<input type="checkbox"/> 30K	<input type="checkbox"/> W-WH	<input type="checkbox"/> GU24SA- GU24 SOCKET ADAPTER

**\*RECOMMENDED DIMMERS FOR ELITE iFit625 LED SYSTEM - RL625**

LUTRON DIMMERS		LUTRON SYSTEM	LEVITON DIMMERS	OTHER DIMMERS
<b>INCANDESCENT*</b>		<b>HOMEWORKS HW-RPM-4A-120</b>	<b>INCANDESCENT*</b>	<b>LOW WATTAGE WIRELESS</b>
ARIADNI DIVA SKYLARK	AY/TG SERIES DV SERIES S SERIES		IPI06-1LX 6673-10W 6631-LW	MAESTRO MRF2-6ND
<b>ELECTRONIC LOW VOLTAGE</b>			<b>ELECTRONIC LOW VOLTAGE</b>	<b>LED/ CFL COMBO</b>
DIVA NOVA T NOVA T	DVELV-300P NTLV-1000 NTELV-600	* USE OF 600 WATT INCANDESCENT DIMMERS WILL LIMIT MAXIMUM NUMBER OF FIXTURES TO 4, AND 7 FOR 1,000 WATT INCANDESCENT	IPE04-1LX 6615	DIVA DVCL-153P