

# RL627

UNIVERSAL 6" AND 5" LED RETROFIT REFLECTOR LIGHTING MODULE



ENERGY STAR PENDING  
 UL US LISTED  
 CALIFORNIA TITLE 24  
 FOR WET LOCATION

**CERTIFICATIONS**

- cULus
- RoHS
- IECC
- New York state
- UL/cUL Listed for Wet
- UL/cUL Listed for Damp Location
- California Title 24
- Washington state
- LM79/LM80

**CRI** 90+

**COLOR QUALITY** 3-Step MacAdam Ellipses

**LUMEN OUTPUT** 950 Lumens

**LUMEN PER WATT** Up to 64

**CCT** 30K

**OPTIC** 45° Cut-Off

**WARRANTY** 5 Years

## UNIQUELY ENGINEERED FOR NEW AND EXISTING CONSTRUCTION

The RL627 is the newest, most efficient, and advanced LED retrofit modules from ELITE Lighting. It's unique design delivers color quality above a 90 CRI rating. The color matching has never been so close, with a binning as low as 3 MacAdams ellipses. The RL627 LED retrofits meet all new mandatory California Title 24 requirements.

The Elite RL627 LED Module has been engineered for new constructions to meet Title-24's "No Edison Socket" mandate. The Elite RL627 LED system works in our dedicated (LD6IC-AT, LD6RIC-AT, LD5IC-AT, and LD5RIC-AT) housings and our existing 6" Incandescent housings (B6IC-AT, EZ6IC-AT, B26IC-AT, B26RIC-AT, B6RIC-AT) but is also suitable for using in most 6" and 5" Incandescent recessed downlight housings in the market.

INPUT VOLT.	INPUT FREQ.	THD	POWER FACTOR	INPUT POWER	LUMENS
120	50/60Hz	<20%	>0.9	14W(+/-5%)	950

## DURABILITY

Our die-cast system pulls the heat from the LED chip, allowing the continued cool operation for years. Our LED driver is rated for 50 to 60 Hz at 120V input, and produces less than 20% THD, has a power factor between 0.90 and 1.00 and is thermal protected for additional safety.

## DIMMABLE

The Elite LED Module is dimmable down to 15% of initial light output with compatible dimmers. Consult factory for complete list of compatible dimming systems.

## OUR WORD

The Elite LED lighting system carries a five-year carefree warranty for parts and components. (Labor not included)

## FEATURES

- Over 950 usable lumens are directed from the luminaire to the work surface
- Greater light output than a 26W CFL or a 65W BR30 while consuming less than 14W of power
- Rated at 90+ CRI to meet California Title-24 strict compliance standards
- Life tested to ensure light output up to 50,000 hours of operation to L70
- Glare reducing cut-off angle of 55 degrees
- High performance optic hides LED chip image but still delivers an even beam of light
- Elite's highly selective LED chips produce zero ultraviolet and virtually no infrared light
- Tested to LM-79 and LM-80 standards
- UL listed for safety

LED  
6"  
5"

6 / 5 INCH LED RETROFIT MODULE

# RL627

UNIVERSAL 6" AND 5" LED RETROFIT REFLECTOR LIGHTING MODULE



Elite's innovative LED retrofit downlight modules deliver the brightest, most beautiful and most energy efficient ambient lighting to replace any lamp type on your existing fixture.

Example: **RL627-950L-DIMTR-120-30K-90-CL-WH**

TYPE	950L SERIES	CCT	CRI	FINISH	OPTION
RL627 (Reflector)	<input type="checkbox"/> 950L-DIMTR-120	<input type="checkbox"/> 30K	<input type="checkbox"/> 90	<input type="checkbox"/> CL-WH	<input type="checkbox"/> GU24SA GU24 SOCKET ADAPTER

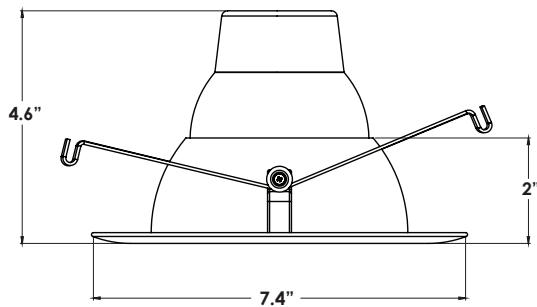
**Ordering Guide for Compatible Housing**

IC - New Construction	Non-IC New Construction	IC - For Remodel	Non-IC For Remodel
LD6IC	LD6-AT	LD6RIC-AT	LD6R-AT
HLD6IC-AT	HLD6-AT	HLD6RIC-AT	HLD6R-AT
LD600IC-AT	B6-AT	EZ6IC-AT	B6R-AT
EZ6IC-AT		B6RIC-AT	
B6IC-AT			
B6IC-100-AT			
B600-IC			

**Ordering Guide for Compatible Housing**

IC - New Construction	Non-IC New Construction	IC - For Remodel	Non-IC For Remodel
LD5IC-AT	LD5-AT	LD5RIC-AT	LD5R-AT
HLD5IC-AT	HLD5-AT	HLD5RIC-AT	HLD5R-AT
B5IC-AT	B5-AT	B5RIC-AT	B5R-AT
B25IC-AT		B25RIC-AT	

LED  
6"  
5"



## INSTALLATION

Ez connector to use with special High efficacy housing or Edison base adapter for retrofitting into existing 6" incandescent housings.

- Utilizes industry standard V springs, installs in most 6" incandescent downlights.
- Insert V springs into can and press trim to ceiling.

### \*RECOMMENDED DIMMERS FOR ELITE RL627 LED SYSTEM

LUTRON DIMMERS		LUTRON CONTROL SYSTEM
INCANDESCENT		MAGNETIC LOW VOLTAGE
Diva DVCL-153P	Maestro MRF2-6ND	NovaNLV-600
Skylark CTCL-153P	NovaT NTELV-600	NovaT NTLV-600
Nova N-600	Diva DVELV-300P	Diva DVLV-600P
NovaT NT-600	Skylark SELV-300P	Leviton Dimmer 6613-PL
Skylark S-600	Nova NELV-450	
Ariadni AY-600P	Skylark S-1000	
Nova NTLV-600	Decora 06633-766	
Nova NLV-600	Decorra 6674	
	Toggle Dimmer TGI06-1LW	

6 / 5 INCH LED RETROFIT MODULE