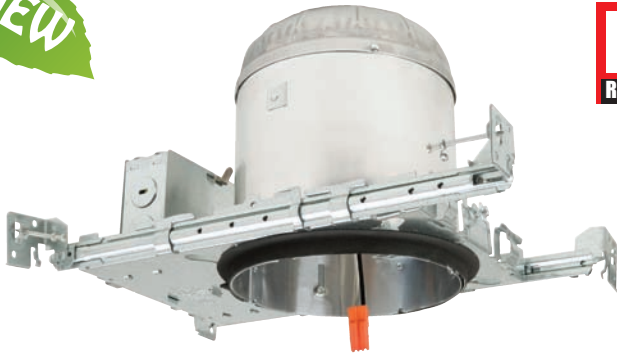
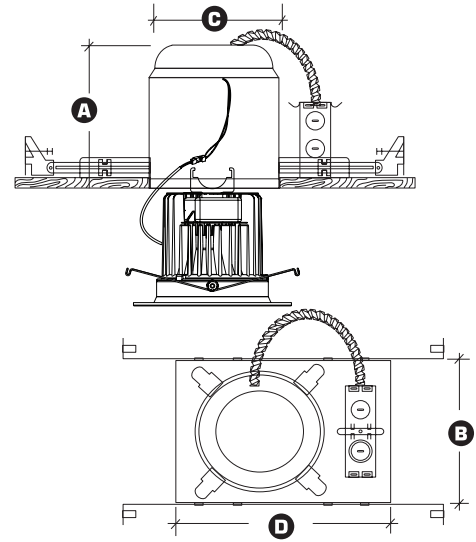


6" New Construction IC Housing for Triac Dimmable RL600 series Module LED lighting components



- A** Height = 7-1/4"
- B** Width = 7"
- C** Cut-out = 6-3/4"
- D** Length = 10"



TO BE USED WITH MODULE LED LIGHTING COMPONENT ONLY

DESCRIPTION - 6" IC housing for use with RL600 LED series Module LED trims. Designed for new construction installations and suitable for use in insulation covered or non-insulation covered ceilings. The LD6IC-AT-DIMTR housing is engineered with a unique 'EZ-connect' wiring system, that when used with the RL600 trim, with Energy Star and California Title-24 (compliances pending). The unique EZ-connect system also meets other state and national regulatory mandates. Module LED connects effortlessly to housing, virtually eliminating mis-wiring and potential shock hazards.

NOTE - Complete system includes LD6IC-AT-DIMTR housing and Module LEDs RL600 series trim. RL600 Module LEDs trim must be ordered separately.

SPECIFICATION

HOUSING - Die-formed aluminum and galvanized steel for maximum heat dissipation and rust protection. Housing adjusts vertically in plaster frame to accommodate 1/2" to 1-3/8" thick ceiling. Housing is IC rated for direct contact with insulation and can be used in IC and NON-IC applications. May be installed in 2" x 8" joist construction.

CONNECTION - Polarity-specific EZ-connect system engineered to match with Elite Module LED trims. *Meets strict code requirements where Edison Base Sockets have been banned.

BAR HANGERS - Preinstalled bar hangers allow housing to be positioned and locked at any point within a 24" joist span. They can be positioned on either the long or short axis of the housing and can be shortened for 12" joists. They contain a double-headed real nail for secure attachment into the joist. Bar hanger nails are installed on a 20° downward angle for better contact, and the 90° pivoting mounting plate makes installation fast and accurate. Bar hangers can fit onto T-Bar spline with additional slots and holes for special mounting methods if necessary.

Example: LD6IC-AT-DIMTR-120

HOUSING TYPE					
LD6IC-AT-DIMTR-120 - Used For Triac Dimming Module					
LD6IC-AT-277 - Provided with 277V. Step Down Transformer & is not dimmable					
TRIM TYPE	676 LUMENS	PAGE #	TRIM TYPE	600/1000 LUMENS	PAGE #
RL630 (BAFFLE)	<input type="checkbox"/> 14W-DIMTR-120	191	RL660 (BAFFLE)	<input type="checkbox"/> 12W-DIMTR-120 <input type="checkbox"/> 15W-DIMTR-120	209
TRIM TYPE	540 LUMENS	PAGE #	TRIM TYPE	600/1000 LUMENS	PAGE #
RL611 (BAFFLE WALL WASH)	<input type="checkbox"/> 14W-DIMTR-120	191	RL661 (REFLECTOR)	<input type="checkbox"/> 12W-DIMTR-120 <input type="checkbox"/> 15W-DIMTR-120	209
TRIM TYPE	710 LUMENS	PAGE #	TRIM TYPE	620 LUMENS	PAGE #
RL607 (REFLECTOR)	<input type="checkbox"/> 14W-DIMTR-120	191	RL625 (BAFFLE)	<input type="checkbox"/> 14W-DIMTR-120	207
TRIM TYPE	565 LUMENS	PAGE #	TRIM TYPE	620 LUMENS	PAGE #
RL622 (REFLECTOR WALL WASH)	<input type="checkbox"/> 14W-DIMTR-120	191	RL663 (ADJ. BAFFLE)	<input type="checkbox"/> 14W-DIMTR-120	189

JUNCTION BOX - UL Listed for through-branch circuit wiring, provided with four 1/2" knockouts, one 3/4" knockout and four Romex knockouts with true pry-out slots and strain clamps. Designed for straight through conduit runs.

THERMAL PROTECTION - Standard thermal protection device guards against improper installation and misuse of insulation material.

ELITE MODULE LED SOLD SEPARATELY - LD6IC-AT-DIMTR unique 'EZ-connect' wiring system is Title 24-2008 compliant when used with the RL600 series module. RL600 series modules are rated to last up to 50,000hrs as tested in accordance with LM-80 standards. Available lumen packages include up to 600 (12W) & 620 (14W) delivered lumens. Driver and LED Engine are found on the module itself. The Elite Module LED system is fully dimmable down to 10% of initial light output with a 0-10 Volt dimmer when ordered with the following options (DIM10-120, DIM10-277). Triac & Electronic Low Voltage dimming driver also available when ordered with the following options (DIMTR-120). Consult Factory for details.

LISTING

c-UL-us / c-ETL-us - listed for Damp location
 c-UL-us / c-ETL-us - listed for feed Through Wiring
 c-UL-us / c-ETL-us - listed for Direct Contact with Insulation LM79/LM80
 Covered by U.S. Patent Number: 7717390B1

DIMMING INFORMATION

DIMTR (Triac & Electronic Low Voltage Dimming)

