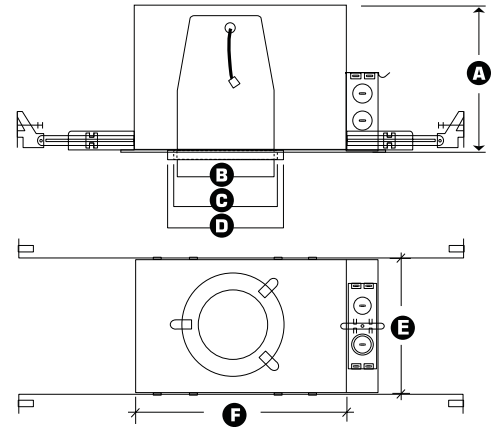


LD4IC-AT

4" New Construction IC Housing for use with RL400 series LED Module lighting components



TO BE USED WITH RL400 SERIES LED MODULE LIGHTING COMPONENT



- A** Height = 7-1/4"
- B** Trim Aperture = 4"
- C** Cut-out = 4-1/2"
- D** Trim Outside Diameter = 5-1/2"
- E** Width = 8"
- F** Length = 12-1/2"

DESCRIPTION - 4" New Construction IC housing for use with RL400 LED series LED Module trims. Designed for new construction installations and suitable for use in insulation covered or non-insulation covered ceilings. The LD4IC-AT housing is engineered with a unique 'EZ-connect' wiring system, that when used with the RL400 trim, with Energy Star and California Title-24 (compliances pending). The unique EZ-connect system also meets other state and national regulatory mandates. LED Module connects effortlessly to housing, virtually eliminating mis-wiring and potential shock hazards.

NOTE - Complete system includes LD4IC-AT housing and LED Modules RL400 series trim. RL400 LED Modules trim must be ordered separately.

OUTER HOUSING - Die-formed aluminum and galvanized steel for maximum heat dissipation and rust protection.

INNER HOUSING - High-temperature painted 22-gauge deep drawn single piece housing. Housing adjusts vertically in plaster frame to accommodate 1/2" to 1-3/8" thick ceiling. Housing is IC rated for direct contact with insulation and can be used in IC and NON-IC applications. May be installed in 2" x 8" joist construction.

BAR HANGERS - Preinstalled bar hangers allow housing to be positioned and locked at any point within a 24" joist span. They can be positioned on either the long or short axis of the housing and can be shortened for 12" joists. They contain a double-headed real nail for secure attachment into the joist. Bar hanger nails are installed on a 20° downward angle for better contact, and the 90° pivoting mounting plate makes installation fast and accurate. Bar hangers can fit onto T-Bar spline with additional slots and holes for special mounting methods if necessary.

Example: **LD4IC-AT-DIMTR-120**

JUNCTION BOX - UL Listed for through-branch circuit wiring, provided with four 1/2" knockouts, one 3/4" knockout and four Romex knockouts with true pry-out slots and strain clamps. Designed for straight through conduit runs.

THERMAL PROTECTION - Standard thermal protection device guards against improper installation and misuse of insulation material.

CONNECTION - Polarity-specific EZ-connect system engineered to match with Elite LED Module trims. Meets strict code requirements where Edison Base Sockets have been banned.

ELITE LED MODULE SOLD SEPARATELY - LED Modules unique 'EZ-connect' wiring system is Title 24 compliant when used with the LD4IC-AT housing. The unique EZ-connect system also meets other state and national regulatory mandates. System is a UL Listed disconnect system that preserves the integrity of the energy-efficient system by insuring only Elite brand trims are used. The EZ-connect system prevents installation of less efficient incandescent luminaires and LEDs.

LISTING

c-UL-us listed for Damp location. Feed Through Wiring. Direct Contact w/ Insulation. LM79/LM80 Covered by U.S. Patent Number: 7717390B1

DIMMING INFORMATION

DIMTR (Triac Dimming)

HOUSING TYPE				
<input type="checkbox"/> LD4IC-AT-DIMTR-120 - Used For Triac Dimming Module				
<input type="checkbox"/> LD4IC-AT-DIM10 - Used For 0-10V Dimming Module				
<input type="checkbox"/> LD4IC-AT-277 - Used For Non Dimming Module				
TRIM TYPE	650L/900L SERIES	CCT	CRI	FINISH
<input type="checkbox"/> RL430 (Baffle)	<input type="checkbox"/> 650L-DIMTR-120 <input type="checkbox"/> 650L-277 (Non Dimmable)	<input type="checkbox"/> 27K <input type="checkbox"/> 30K	<input type="checkbox"/> 85+ <input type="checkbox"/> 90+	<input type="checkbox"/> W-WH <input type="checkbox"/> CP-CP <input type="checkbox"/> P-WH <input type="checkbox"/> BZ-BZ <input type="checkbox"/> SN-SN <input type="checkbox"/> P-BK
<input type="checkbox"/> RL411 (Baffle Wall Wash)	<input type="checkbox"/> 900L-DIMTR-120 <input type="checkbox"/> 900L-DIM10 <input type="checkbox"/> 900L-277 (Non Dimmable)	<input type="checkbox"/> 35K <input type="checkbox"/> 40K <input type="checkbox"/> 50K (CRI 85+ Only)		
<input type="checkbox"/> RL407 (Reflector)	(0-10V option for 900L only)		<input type="checkbox"/> 85+ <input type="checkbox"/> 90+	<input type="checkbox"/> CL-WH <input type="checkbox"/> RG-PB <input type="checkbox"/> CP-WH <input type="checkbox"/> CL-CH <input type="checkbox"/> W-WH <input type="checkbox"/> CP-CP <input type="checkbox"/> MB-WH <input type="checkbox"/> SN-WH <input type="checkbox"/> BZ-BZ <input type="checkbox"/> MB-BK <input type="checkbox"/> RG-WH <input type="checkbox"/> CL-SN <input type="checkbox"/> SN-SN
<input type="checkbox"/> RL422 (Reflector Wall Wash)				
<input type="checkbox"/> RL428	<input type="checkbox"/> 650L-DIMTR-120	<input type="checkbox"/> 30K	<input type="checkbox"/> 85+ <input type="checkbox"/> 90+	<input type="checkbox"/> W-WH

