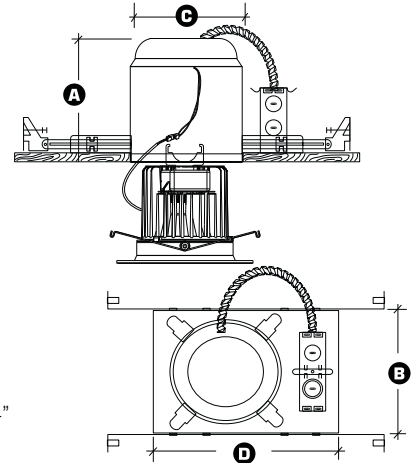


LD6IC-AT

6" New Construction IC Housing for use with Triac and 0-10V Dimmable RL600 series LED Module lighting components



TO BE USED WITH LED MODULE LIGHTING COMPONENT ONLY



- A** Height = 7-1/4"
- B** Width = 7"
- C** Cut-out = 6-3/4"
- D** Length = 10"

DESCRIPTION - 6" IC housing for use with RL600 LED series LED Module trims. Designed for new construction installations and suitable for use in insulation covered or non-insulation covered ceilings. The LD6IC-AT housing is engineered with a unique 'EZ-connect' wiring system, that when used with the RL600 trim, with Energy Star and California Title-24 (compliances pending). The unique EZ-connect system also meets other state and national regulatory mandates. LED Module connects effortlessly to housing, virtually eliminating mis-wiring and potential shock hazards.

NOTE - Complete system includes LD6IC-AT housing and LED Modules RL600 series trim. RL600 LED Modules trim must be ordered separately.

HOUSING - Die-formed aluminum and galvanized steel for maximum heat dissipation and rust protection. Housing adjusts vertically in plaster frame to accommodate 1/2" to 1-3/8" thick ceiling. Housing is IC rated for direct contact with insulation and can be used in IC and NON-IC applications. May be installed in 2" x 8" joist construction.

CONNECTION - Polarity-specific EZ-connect system engineered to match with Elite LED Module trims. Meets strict code requirements where Edison Base Sockets have been banned.

BAR HANGERS - Preinstalled bar hangers allow housing to be positioned and locked at any point within a 24" joist span. They can be positioned on either the long or short axis of the housing and can be shortened for 12" joists. They contain a double-headed real nail for secure attachment into the joist. Bar hanger nails are installed on a 20° downward angle for better contact, and the 90° pivoting mounting plate makes installation fast and accurate. Bar hangers can fit onto T-Bar spline with additional slots and holes for special mounting methods if necessary.

JUNCTION BOX - UL Listed for through-branch circuit wiring, provided with four 1/2" knockouts, one 3/4" knockout and four Romex knockouts with true pry-out slots and strain clamps. Designed for straight through conduit runs.

THERMAL PROTECTION - Standard thermal protection device guards against improper installation and misuse of insulation material.

ELITE LED MODULE SOLD SEPARATELY - LD6IC-AT unique 'EZ-connect' wiring system is Title 24 compliant when used with the RL600 series module. RL600 series modules are rated to last up to 50,000hrs as tested in accordance with LM-80 standards. Driver and LED Engine are found on the module itself. The Elite LED Module system is fully dimmable down to 10% of initial light output with a 0-10 Volt dimmer when ordered with the following options (DIM10-MVOLT). Triac dimming driver also available when ordered with the following options (DIMTR-120). Consult Factory for details.

LISTING

- c-UL-us - listed for Damp location
- c-UL-us - listed for feed Through Wiring
- c-UL-us - listed for Direct Contact with Insulation LM79/LM80
- Covered by U.S. Patent Number: 7717390B1

DIMMING INFORMATION

- DIMTR (Triac Dimming)
- DIM10 (Low Voltage 0-10 Volt Dimming)



Example: LD6IC-AT-DIMTR-120

HOUSING TYPE		
<input type="checkbox"/> LD6IC-AT-DIMTR-120 - Used For Triac Dimming Module		
<input type="checkbox"/> LD6IC-AT-277 - Used For Non Dimming Module		
TRIM TYPE	750L/900L SERIES	PAGE #
<input type="checkbox"/> RL630 (Baffle)	<input type="checkbox"/> 750L-DIMTR-120 <input type="checkbox"/> 750L-277 (Non Dimmable) <input type="checkbox"/> 900L-DIMTR-120 <input type="checkbox"/> 900L-277 (Non Dimmable)	287
<input type="checkbox"/> RL611 (Baffle Wall Wash)		
<input type="checkbox"/> RL607 (Reflector)	<input type="checkbox"/> 750L-DIMTR-120 <input type="checkbox"/> 750L-277 (Non Dimmable) <input type="checkbox"/> 900L-DIMTR-120 <input type="checkbox"/> 900L-277 (Non Dimmable)	287
<input type="checkbox"/> RL622 (Reflector Wall Wash)		
TRIM TYPE	1000L SERIES	PAGE #
<input type="checkbox"/> RL670	<input type="checkbox"/> 1000L-DIMTR-120	300

TRIM TYPE	650L/900L SERIES	PAGE #
<input type="checkbox"/> RL660 (Baffle)	<input type="checkbox"/> 650L-DIMTR-120 <input type="checkbox"/> 900L-DIMTR-120	309
<input type="checkbox"/> RL661 (Reflector)		
TRIM TYPE	750L SERIES	PAGE #
<input type="checkbox"/> RL625 (Baffle)	<input type="checkbox"/> 750L-DIMTR-120	307
<input type="checkbox"/> RL663 (Adj. Baffle)		285
TRIM TYPE	950L SERIES	PAGE #
<input type="checkbox"/> RL628	<input type="checkbox"/> 950L-DIMTR-120	299

Example: LD6IC-AT-DIM10-MVOLT

HOUSING TYPE		
<input type="checkbox"/> LD6IC-AT-DIM10-120 Used For 0-10V Dimming Module. 120V input		
<input type="checkbox"/> LD6IC-AT-DIM10-277 Used For 0-10V Dimming Module. 277V input		
TRIM TYPE	900L SERIES	PAGE #
<input type="checkbox"/> RL630 (Baffle)	<input type="checkbox"/> 900L-DIM10-MVOLT	287
<input type="checkbox"/> RL611 (Baffle Wall Wash)		
<input type="checkbox"/> RL607 (Reflector)		
<input type="checkbox"/> RL622 (Reflector Wall Wash)		