

RL435

4" LED RETROFIT DIE-CAST ALUMINUM LENSED BAFFLE



CRI 90+

COLOR QUALITY 3-Step MacAdam Ellipses

LUMEN OUTPUT 750 Lumens

LUMEN PER WATT Up to 60

CCT 30K - 16K

OPTIC 45° Cut-Off

WARRANTY 5 Years

CERTIFICATIONS

- cULus
- RoHS
- IECC

- New York state
- UL/cUL Listed for Wet
- UL/cUL Listed for Damp Location

- California Title 24
- Washington state
- LM79/LM80

UNIQUELY ENGINEERED FOR NEW AND EXISTING CONSTRUCTION

The RL435 is the newest, most efficient, and advanced LED retrofit modules from ELITE Lighting. It's unique design delivers color quality above a 90 CRI rating. The color matching has never been so close, with a binning as low as 3 MacAdams ellipses. The RL435 LED retrofit meet all new mandatory California Title 24 requirements.

The Elite RL435 LED Module has been engineered for new constructions to meet Title-24's 'No Edison Socket' mandate. The Elite LED Module system works in our dedicated (LD4IC-AT, LD4-AT, LD4R-AT) housings and our existing 4" incandescent housings (or standard B4IC-AT, B4-AT and B4R-AT) but is also suitable for use in most 4" recessed downlight housings in the market.

| INPUT VOLT. | INPUT FREQ. | THD | POWER FACTOR | INPUT POWER | LUMENS |
|-------------|-------------|------|--------------|-------------|--------|
| 120 | 50/60Hz | <20% | >0.9 | 10W(+/-5%) | 750 |

DURABILITY

Our die-cast system pulls the heat from the LED chip, allowing the continued cool operation for years. Our LED driver is rated for 50 to 60 Hz at 120V input, and produces less than 20% THD, has a power factor between 0.90 and 1.00 and is thermal protected for additional safety.

DIMMABLE

The Elite LED Module is dimmable down to 15% of initial light output with compatible dimmers. Consult factory for complete list of compatible dimming systems.

OUR WORD

The Elite LED lighting system carries a five-year carefree warranty for parts and components. (Labor not included)

FEATURES

- Over 750 usable lumens are directed from the luminaire to the work surface
- Greater light output than a 18W CFL or a 50W BR20 while consuming less than 10W of power
- Rated at 90+ CRI to meet California Title-24 strict compliance standards
- Life tested to ensure light output up to 50,000 hours of operation to L70
- Glare reducing cut-off angle of 55 degrees
- High performance optic hides LED chip image but still delivers an even beam of light
- Elite's highly selective LED chips produce zero ultraviolet and virtually no infrared light
- Tested to LM-79 and LM-80 standards
- UL listed for safety

LED
4"

4 INCH LED RETROFIT MODULE

RL435

4" LED RETROFIT DIE-CAST ALUMINUM LENSED BAFFLE



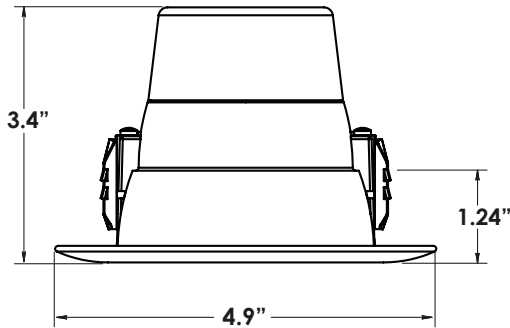
Elite's innovative LED retrofit downlight modules deliver the brightest, most beautiful and most energy efficient ambient lighting to replace any lamp type on your existing fixture.

Example: **RL435-750L-DIMTR-120-30K-16K-SD-90-W-WH**

| TYPE | 750L SERIES | CCT | SMART DIM | CRI | FINISH | OPTION |
|----------------|---|----------------------------------|-----------------------------|------------------------------|-------------------------------|---|
| RL435 (Baffle) | <input type="checkbox"/> 750L-DIMTR-120 | <input type="checkbox"/> 30K-16K | <input type="checkbox"/> SD | <input type="checkbox"/> 90+ | <input type="checkbox"/> W-WH | <input type="checkbox"/> GU24SA GU24 SOCKET ADAPTER |

Ordering Guide for Compatible Housing

| IC - New Construction | Non-IC New Construction | IC - For Remodel | Non-IC For Remodel |
|-----------------------|-------------------------|------------------|--------------------|
| LD4IC-AT | LD4-AT | LD4RIC-AT | LD4R-AT |
| HLD4IC-AT | HLD4-AT | | HLD4R-AT |
| B4IC-AT | B4-AT | | B4R-AT |



INSTALLATION

- Socket adapter removes from module, allowing installation to be quick and easy. Simply screw in the adapter and plug in the module. Turning off the entire module is not required.
- Utilizes industry standard friction blades, installs in most 4" incandescent down lights. Insert friction blades into can and press trim to ceiling.

*RECOMMENDED DIMMERS FOR ELITE RL435 LED SYSTEM

LUTRON DIMMERS

DIMTR

| | |
|-------------------|-------------------|
| Diva DVCL-153P | Maestro MRF2-6ND |
| Skylark CTCL-153P | NovaT NTELV-600 |
| Nova N-600 | Diva DVELV-300P |
| NovaT NT-600 | Skylark SELV-300P |
| Skylark S-600 | Nova NELV-450 |
| Ariadni AY-600P | |
| Nova NTLV-600 | |
| Nova NLV-600 | |

LED

4"

4 INCH LED RETROFIT MODULE