



### 5" ROUND SLIM LED

- ▶ **1" THICK LED FIXTURE WITH HIGHER BRIGHTNESS**
- ▶ **FOR NEW CONSTRUCTION – INSULATED AND DROPPED CEILINGS**

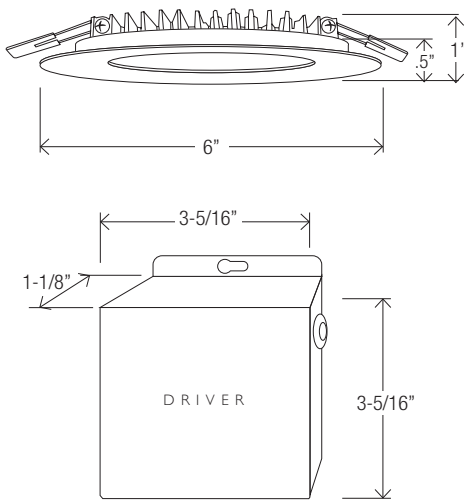
INPUT VOLT.	INPUT FREQ.	THD	POWER FACTOR	INPUT POWER	LUMENS
120	60Hz	<20%	>0.95	15W(+/-5%)	900L

#### ▶ FEATURES

Round 5" fixtures with integral LEDs. Isolated external driver factory installed inside junction box. One driver for every fixture required. PF>0.95. Maximum number of fixtures per standard 150W LED dimmer: 12

- ▶ Dimmable
- ▶ cETLus Approved and Energy Star Certified
- ▶ Type IC Rated – Approved for Direct Contact with Insulation
- ▶ Air-tight and damp location approved
- ▶ Pot Light Housing is NOT Required even for Insulated Ceilings
- ▶ Fast and Easy to Install in Limited Space Locations
- ▶ External Driver Factory Mounted Inside Connection Box - 120V or 277V-347V
- ▶ New Construction Rough-In Plates and Jumper Cables Available
- ▶ Available in 4 Color Temperatures ( 2700K, 3000K, 3500K and 4000K)
- ▶ 50,000 Hours Life; 5 Year Warranty

#### DIMENSION



#### TECHNICAL SPECIFICATIONS

- ▶ **WATTAGES:** 15W
- ▶ **OUTPUT:** Default Driver Voltage: 120V AC 60 Hz (Dimmable)
- ▶ **OPTICS:** 120°
- ▶ **CRI:** 90+
- ▶ **AMBIENT TEMPERATURE:** -40°F (-40°C) to +104°F (+40°C)

#### INSTALLATION

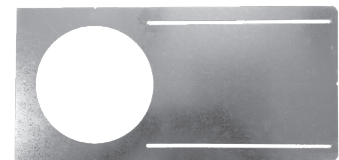
- Cut hole in ceiling and snap fixture in opening with attached spring clips. Space in ceiling needed for the driver to fit through the ceiling hole – 2".



**RL575-ACC-1-10F**  
10-ft long extension



**RL575-ACC-1-20F**  
20-ft long extension



**RL575-ROUGHPLATE**

EXAMPLE: **RL575-900L-DIMTR-120-30K-90-WH**

TYPE	LUMEN	CCT	CRI	FINISH	ACCESSORIES
RL575	<input type="checkbox"/> 900L-DIMTR-120	<input type="checkbox"/> 27K	90+	<input type="checkbox"/> WH ( White)	<input type="checkbox"/> RL575-ACC-1-10F
	<input type="checkbox"/> 900L-277-347 (Non-Dimmable)	<input type="checkbox"/> 30K <input type="checkbox"/> 35K <input type="checkbox"/> 40K		<input type="checkbox"/> BK ( Black) <input type="checkbox"/> SN ( Satin Nickel)	<input type="checkbox"/> RL575-ACC-1-20F <input type="checkbox"/> RL575-Roughplate



#### CERTIFICATIONS

- ETL listed for wet location
- ENERGY STAR

LED

5"

5 INCH LED RETROFIT MODULE