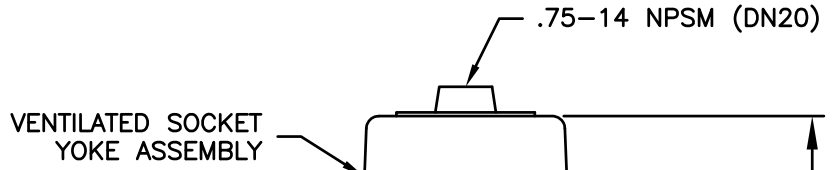


UL LISTED TO US AND  
CANADIAN SAFETY STANDARDS  
DAMP LOCATION

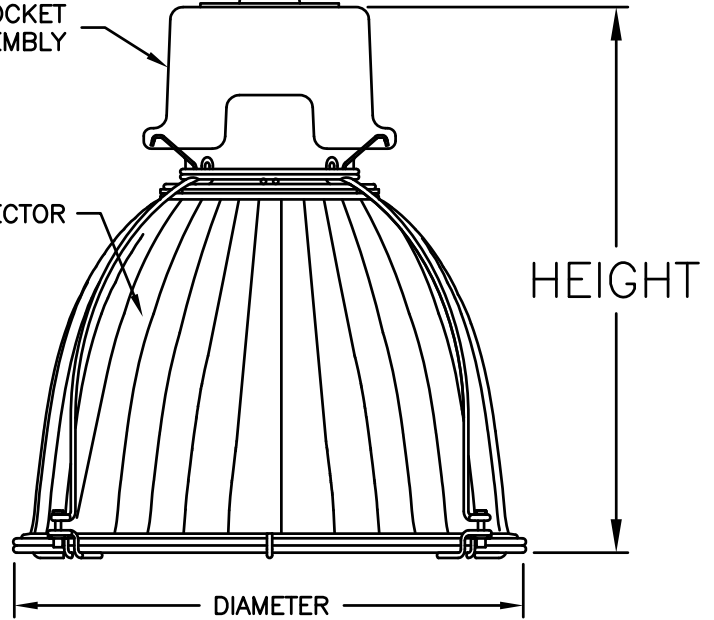
# PRISMATIC GLASS REFLECTOR

MAX AMBIENT: 25°C (HPS & MH)  
40°C (INC)



PRISMATIC GLASS REFLECTOR

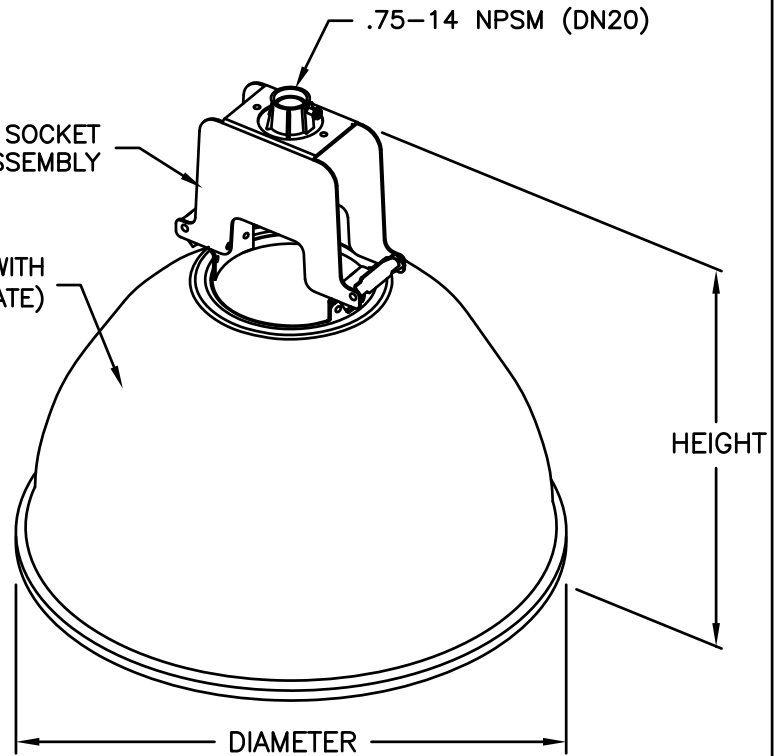
P OPTICS	HEIGHT	DIAMETER
PRSL11	471mm(18.56)	460mm(18.13)
PRSL12	522mm(20.56)	570mm(22.45)



PRISMATIC GLASS REFLECTOR WITH  
ALUMINUM COVER (SHIPS SEPERATE)

R OPTICS	HEIGHT	DIAMETER
6611-AL	467mm(18.40)	448mm(17.65)
6612-AL	518mm(20.40)	558mm(22.00)
6613-AL	467mm(18.40)	448mm(17.65)

VENTILATED SOCKET  
YOKE ASSEMBLY



ORDER NO: \_\_\_\_\_  
TYPE: \_\_\_\_\_

DRAWING NO. MA-5134  
CAD MODEL: PGRB.DWG  
DATE: 02/09/12  
Sheet 1 of 2

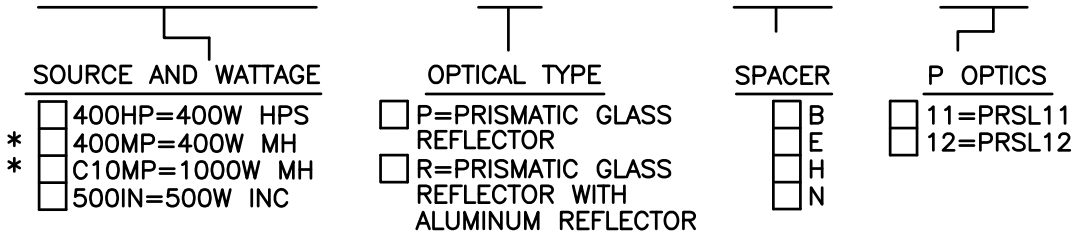
# PRISMATIC GLASS REFLECTOR

PRISMATIC GLASS  
LUMINAIRE  
REMOTE BALLAST

OPTIONS AND ACCESSORIES

CATALOG NUMBER

PGRB



\*=FIXTURES USE SOCKETS THAT ONLY ACCEPT OPEN FIXTURE RATED LAMPS

- R OPTICS
- 11=6611-AL  
 12=6612-AL  
 13=6613-AL

OPTIONS (ADD TO CATALOG NUMBER)(SOME RESTRICTIONS MAY APPLY):

- ELB=EXTRA LOW BRIGHTNESS

ACCESSORIES (SHIPPED SEPARATELY)(ADD TO CATALOG NUMBER):

- LAMP=APPROPRIATE LAMP AS LINE ITEM
- 05845=WIREGUARD FOR RH31, RN31
- 0269=WIREGUARD ACCESS DOOR FOR 05845
- 09269=WIRE GUARD FOR RB11 (WITH RELAMP HOLE)
- 09270=WIRE GUARD FOR RB12 (WITH RELAMP HOLE)
- LOOP456=LOOP, 3/4" MALE
- PF-116-A=LOOP, 3/4" FEMALE
- HOOK455=SAFETY HOOK, 3/4" MALE
- PF-122-A=SAFETY HOOK, 3/4" FEMALE
- PF-129-A=ANTI-ROTATIONAL HOOK, 3/4" MALE
- WG-212-A=WIRE GUARD FOR PH31, PN31, PE31 (WITHOUT RELAMP HOLE)
- WG-212-B=WIRE GUARD FOR PH31, PN31, PE31 (WITH RELAMP HOLE)
- 09274=WIRE GUARD FOR PB11 (WITHOUT RELAMP HOLE)
- 09275=WIRE GUARD FOR PB12 (WITHOUT RELAMP HOLE)
- GD-69=WIRE GUARD FOR PB11 (WITH RELAMP HOLE)
- GD-70=WIRE GUARD FOR PB12 (WITH RELAMP HOLE)
- 08214-\*=SAFETY CHAIN (\*=LENGTH OF CHAIN IN FEET; 3 FT IS STANDARD)



ORDER NO: \_\_\_\_\_  
TYPE: \_\_\_\_\_

DRAWING NO. MA-5134  
CAD MODEL: PGRB.DWG  
DATE: 02/09/12