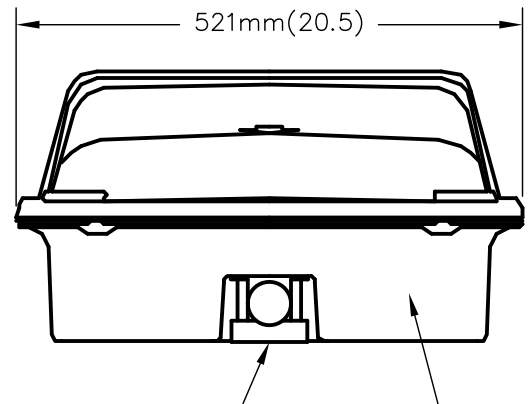
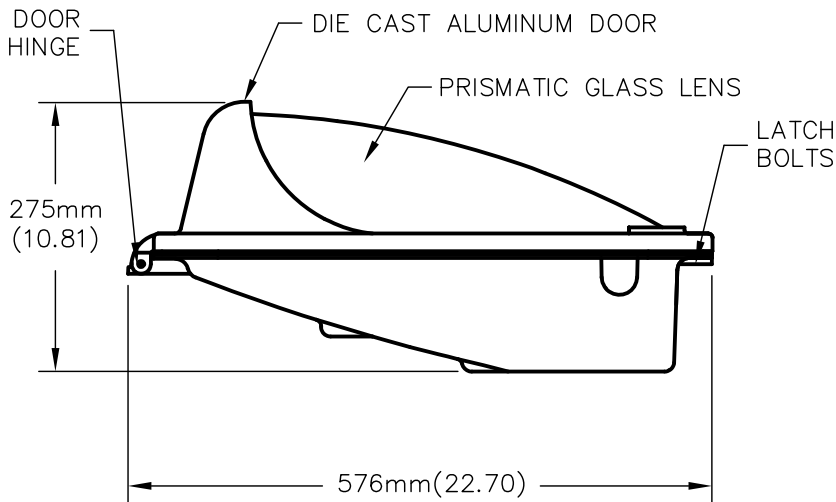


# PANEL-VUE® SERIES LUMINAIRE



ADJUSTABLE PIPE CLAMP FOR DN32 (1.25) RIGID CONDUIT FOR FIXTURE SUPPORT AND SUPPLY LEAD WIRE ENTRY

DIE CAST ALUMINUM HOUSING CONTAINS: BALLAST, REFLECTOR AND SOCKET ASSEMBLY

U.L. LISTED TO U.S. AND CANADIAN SAFETY STANDARDS  
1598 WET LOCATION  
MAX. AMBIENT: 40°C  
MAX. WEIGHT: 27kg (60lbs.)

CATALOG NUMBER

P A N L

SOURCE AND WATTAGE	
100HP=100W HPS	10ICE=100W ICETRON
15AHP=150W HPS	15ICE=150W ICETRON
175PM=175W PM	
175MH=175W MH *	
250HP=250W HPS	
250MH=250W MH *	
250PM=250W PM	
320PM=320W PM	
350PM=350W PM	
400PM=400W PM	
400HP=400W HPS	
400MH=400W MH *	

VOLTAGE	MOUNTING	COLOR
12=120V	D=STANDARD	B=BROWN
24=240V		
34=347V		G=GRAY
48=480V		
MT=MULTITAP		
DT=DUAL TAP		
NB=NON-BALLASTED		
VT=MULTIVOLT		

\* NOT AVAILABLE FOR SHIPMENT IN THE US AFTER 12-31-08 DUE TO EISA 2007 LEGISLATION.

## OPTIONS: (FACTORY INSTALLED)

SW=ON/OFF POWER SWITCH (120V,240V,OR DT ONLY)  
 QD=QUICK DISCONNECT (NOT AVAILABLE WITH "SW" OR "SL" OPTIONS)  
 SL=ON/OFF POWER SWITCH WITH LATCH OPTION (120V, 240V, AND DT ONLY)  
 QL=QUICK DISCONNECT WITH LATCH ASSEMBLY (NOT AVAILABLE WITH "SW" OR "SL" OPTIONS)  
 L=LATCH ASSEMBLY

## ACCESSORIES: (FIELD INSTALLED)

LAMP  
 3BOLT=BRACKET FOR 3 BOLT MOUNTING  
 4BOLT=BRACKET FOR 4 BOLT MOUNTING  
 BOLT6.5=BRACKET FOR 6.5 BOLT MOUNTING  
 WG-213=WIRE GUARD  
 DOORPROP=DOOR PROP  
 F1=SINGLE FUSING  
 F2=DOUBLE FUSING



ORDER NO: \_\_\_\_\_  
 TYPE: \_\_\_\_\_

DRAWING NO. FM-1605  
 CAD MODEL: PANLD.DWG  
 DATE: 11/23/10  
 Sheet 1 of 1