

PRODUCT SPECIFICATIONS
Optics

Louvers: Parabolic cross-louver • Low iridescent satin Alzak® louver in clear, gold, wheat, pewter or bronze with integral flange of same finish; other finishes available upon request • Painted white flange is optional

Reflector: .050" aluminum upper reflector with clear Alzak® finish • Single position locked optics eliminate possibility of specified lamp being installed in incorrect position

Electrical

Ballast: Class "P" thermally protected 120V-277V universal voltage high power factor electronic ballast with end of life protection

Lamp Holder: 4-pin GX24q UV stabilized thermoplastic socket with non-fatiguing stainless steel lamp retention spring

Mechanical

Socket Housing: Heavy gauge die-formed galvanized steel

Mounting Frame: 16-gauge galvanized steel mounting ring with factory installed spring steel friction clips • Accommodates ceilings up to 3/4" thick; ceiling thickness adapter accessory is available for ceilings up to 2"

• Common rough-in section accepts open, single wall wash and lensed reflectors

Mounting Bracket: Mounting brackets have 3" vertical adjustment and accept proprietary Tru-Lock bar hangers, 1 1/2" C-channel and flat linear bars (ordered as accessories) or 1/2" EMT, 3/4" and 1 1/2" lathing channel (by others) • One-piece Tru-Lock bar hangers have integral T-bar locking screws and alignment notches for locating and locking fixture in the center or 1/4 tile increments

Junction Box: Ballast mounted to J-box cover for optimal heat dissipation and serviceability from below the ceiling • Oversized 4"x 6" galvanized steel junction box with (6) 1/2" and (1) 3/4" knockouts facilitate quick wiring • Junction box rated for eight No. 12 AWG 90°C branch circuit conductors (4-in, 4-out)

Labels and Listings

UL/C-UL listed for feed through and damp locations • I.B.E.W. Union made

Product specifications subject to change without notice.

6" HORIZONTAL CFL CROSS-BLADE LOUVER

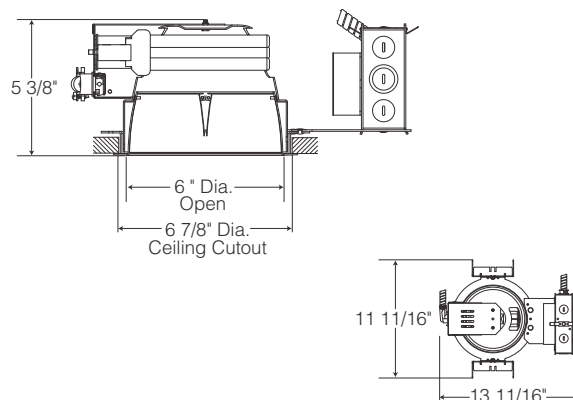
OPEN APERTURE

ONE 26, 32 or 42W Triple Tube

C6H-126/42T

C650X-T

Type	Cat. No.
_____	_____
_____	_____
Project:	_____
Notes:	_____

DIMENSIONS

ENGINEERING DATA

Voltage	120V-HPF			277V-HPF			347V-HPF Canada			
	Lamp Wattage	26W	32W	42W	26W	32W	42W	26W	32W	42W
Total input power	27W	36W	46W	27W	36W	46W	31W	36W	50W	
Operating AMPS	0.23	0.31	0.38	0.10	0.13	0.17	0.09	0.11	0.15	
Ballast factor	1.00	0.98	0.98	1.00	0.98	0.98	1.02	0.98	1.00	

ORDERING INFORMATION: Rough-in, reflector and accessories each ordered separately.

Example: C6H-126/42T-BR			Example: C650X-T-CL				Example: HB-TL
Rough-In	Wattage/Lamp	Options	Reflector	Color Options	Finish*	Options	Accessories
C6H-	126/42T-						
C6H	126/42T 1x26W, 32W or 42W Triple, 4-Pin	347 347 Volt BR Emergency Battery Back-up w/Remote Switch HR High-Lumen Emergency Battery Back-up with Remote Switch D10 ¹ Dimming Ballast Advance Mark 10™ D7 Dimming Ballast Advance Mark 7™ DL ^{1,2} Dimming Ballast Lutron Compact SE **F Fuse and Fuse Holder (Where *** = voltage) CP Chicago Plenum	C650X-T Cross-Blade Louver C Clear G Gold WT Wheat PT Pewter BZ Bronze W White	Low Iridescent Alzak® Finishes: L Specular S Satin Blank for white	WH White Flange MAX## Label for maximum wattage (where ## = wattage)	HB-TL 25" Tru-Lock grid ceiling bar hangers, Pair HB-52 52" C-Channel Bar Hangers, Pair HB-28 28" C-Channel Bar Hangers, Pair LB-27 27" Linear Bar Hangers, Pair HB-4 Bar Hanger conversion kit for wooden joists SCA6- *Sloped Ceiling Adapter *Angle must be specified when ordering; Available in 5°, 10°, 15°, 20°, 25°, 30° Example: SCA6-20	
			* Cross-Blade Louver comes standard with Satin finish. Consult factory for Specular Louver.				

¹ Add a -1 for 120V, a -2 for 277V

² Lutron Dimming Ballast is wattage specific.
26W/120V = C6H-126T-DL-1



1300 South Wolf Road • Des Plaines, Illinois 60018
PHONE 800-367-5866 • FAX 888-708-6578

www.junolightinggroup.com

**OPEN CROSS-BLADE LOUVER
(42W TRIPLE TUBE)**

Catalog Number: C6H-126/42T (C650X-T-CL)
PHOTOMETRIC REPORT

Test Number: PRO5061603

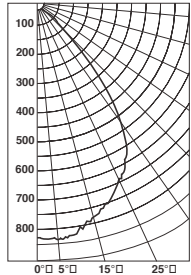
Total Luminaire Efficiency: 39.8%

Luminaire Spacing Criteria: 1.13

Luminaire: Clear specular Alzak® upper reflector with Clear specular cross-blade louver lower cone. Open bottom.

Lamps: One OSI CF42DT/E/IN/827, rated at 3200 total lumens.

CIE-Type: Direct



Candlepower Distribution (Candelas)

Angle	Candela	Lumens
0°	843	
5°	851	81
15°	796	226
25°	701	324
35°	542	341
45°	241	186
55°	90	81
65°	29	29
75°	6	6
85°	0	0

Initial Footcandles

Distance to Illuminated Plane (Feet)	Footcandles Beam Center	Footcandles Beam Edge	Beam Diameter
6'	23.4	5.5	9.8'
7'	17.2	4.1	11.4'
8'	13.2	3.1	13.0'
9'	10.4	2.5	14.7'
10'	8.4	2.0	16.3'
11'	7.0	1.6	17.9'
12'	5.9	1.4	19.5'
13'	5.0	1.2	21.2'
14'	4.3	1.0	22.8'
15'	3.7	0.9	24.4'

Luminance Data

Ang in Deg	Footlamberts	Candela/M ²
45	5446	18658
55	2515	8618
65	1091	3740
75	365	1251
85	0	0

Zonal Lumen Summary

Zone	Lumens	%Lamp	%Fixture
0-30°	631	19.7	49.6
0-40°	972	30.4	76.3
0-60°	1239	38.7	97.3
0-90°	1274	39.8	100.0
90-180°	0	0.0	0.0
0-180°	1274	39.8	100.0

AVERAGE INITIAL FOOTCANDLES

Reflectances: 80% Ceiling, 50% Walls, 30% Floors

Luminaire Spacing	Room Cavity Ratio		
	RCR1	RCR4	RCR8
5' x 5'	55	42	31
6' x 6'	38	29	21
7' x 7'	28	22	16
8' x 8'	22	17	12
9' x 9'	17	13	9
10' x 10'	14	11	8
11' x 11'	11	9	6
12' x 12'	10	7	5

COEFFICIENTS OF UTILIZATION - % (Zonal Cavity Method)

Effective Floor Reflectance 20%

PCC	Room Cavity Ratio																	
	80			70			50			30			10			0		
PW	70	50	30	10	70	50	30	10	50	30	10	50	30	10	50	30	10	0
0	47	47	47	47	46	46	46	46	44	44	44	42	42	42	41	41	41	40
1	45	43	42	41	44	43	42	41	41	40	39	39	39	38	38	38	37	36
2	42	40	38	36	41	39	37	36	38	36	35	36	35	34	35	34	33	33
3	39	36	34	32	38	36	33	32	35	33	31	34	32	31	33	31	30	30
4	37	33	31	29	36	33	30	28	32	30	28	31	29	28	30	29	27	27
5	34	31	28	26	34	30	28	26	29	27	25	29	27	25	28	26	25	24
6	32	28	25	23	32	28	25	23	27	25	23	27	24	23	26	24	23	22
7	30	26	23	21	30	26	23	21	25	23	21	25	22	21	24	22	21	20
8	29	24	21	19	28	24	21	19	23	21	19	23	21	19	23	21	19	18
9	27	22	20	18	26	22	20	18	22	19	18	21	19	18	21	19	18	17
10	25	21	18	16	25	21	18	16	20	18	16	20	18	16	20	18	16	16

**OPEN CROSS-BLADE LOUVER
(32W TRIPLE TUBE)**

Catalog Number: C6H-126/42T (C650X-T-CL)
PHOTOMETRIC REPORT

Test Number: PRO5061698

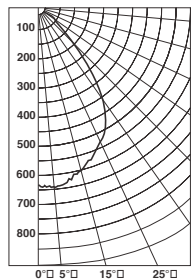
Total Luminaire Efficiency: 39.8%

Luminaire Spacing Criteria: 1.13

Luminaire: Clear specular Alzak® upper reflector with Clear specular cross-blade louver lower cone. Open bottom.

Lamps: One OSI CF32DT/E/IN/827, rated at 2400 total lumens.

CIE-Type: Direct



Candlepower Distribution (Candelas)

Angle	Candela	Lumens
0°	632	
5°	638	61
15°	597	169
25°	526	243
35°	407	255
45°	180	140
55°	68	61
65°	22	21
75°	4	5
85°	0	0

Initial Footcandles

Distance to Illuminated Plane (Feet)	Footcandles Beam Center	Footcandles Beam Edge	Beam Diameter
6'	17.6	4.1	9.8'
7'	12.9	3.0	11.4'
8'	9.9	2.3	13.0'
9'	7.8	1.8	14.7'
10'	6.3	1.5	16.3'
11'	5.2	1.2	17.9'
12'	4.4	1.0	19.5'
13'	3.7	0.9	21.2'
14'	3.2	0.8	22.8'
15'	2.8	0.7	24.4'

Luminance Data

Ang in Deg	Footlamberts	Candela/M ²
45	4084	13993
55	1886	6463
65	819	2805
75	274	938
85	0	0

Zonal Lumen Summary

Zone	Lumens	%Lamp	%Fixture
0-30°	473	19.7	49.6
0-40°	729	30.4	76.3
0-60°	929	38.7	97.3
0-90°	955	39.8	100.0
90-180°	0	0.0	0.0
0-180°	955	39.8	100.0

AVERAGE INITIAL FOOTCANDLES

Reflectances: 80% Ceiling, 50% Walls, 30% Floors

Luminaire Spacing	Room Cavity Ratio		
	RCR1	RCR4	RCR8
5' x 5'	41	32	23
6' x 6'	29	22	16
7' x 7'	21	16	12
8' x 8'	16	12	9
9' x 9'	13	10	7
10' x 10'	10	8	6
11' x 11'	9	7	5
12' x 12'	7	6	4

COEFFICIENTS OF UTILIZATION - % (Zonal Cavity Method)

Effective Floor Reflectance 20%

PCC	Room Cavity Ratio																	
	80			70			50			30			10			0		
PW	70	50	30	10	70	50	30	10	50	30	10	50	30	10	50	30	10	0
0	47	47	47	47	46	46	46	46	44	44	44	42	42	42	41	41	41	40
1	45	43	42	41	44	43	42	41	41	40	39	39	39	38	38	38	37	36
2	42	40	38	36	41	39	37	36	38	36	35	36	35	34	35	34	33	33
3	39	36	34	32	38	36	33	32	35	33	31	34	32	31	33	31	30	30
4	37	33	31	29	36	33	30	28	32	30	28	31	29	28	30	29	27	27
5	34	31	28	26	34	30	28	26	29	27	25	29	27	25	28	26	25	24
6	32	28	25	23	32	28	25	23	27	25	23	27	24	23	26	24	23	22
7	30	26	23	21	30	26	23	21	25	23	21	25	22	21	24	22	21	20
8	29	24	21	19	28	24	21	19	23	21	19	23	21	19	23	21	19	18
9	27	22	20	18	26	22	20	18	22	19	18	21	19	18	21	19	18	17
10	25	21	18	16	25	21	18	16	20	18	16	20	18	16	20	18	16	16