

JUNO®

Project: _____

Fixture Type: _____

Location: _____

Contact/Phone: _____

PRODUCT DESCRIPTION

Dedicated LED, Air-Loc® sealed new construction housing with integral light engine • Can be completely covered with insulation • Fully sealed housing stops infiltration and exfiltration of air, reducing heating and air cooling costs without the use of additional gaskets • LED housing is designed to provide 50,000 hours of life and is compatible with many standard Juno trims • 5 year warranty.

ENVIRONMENTALLY FRIENDLY, ENERGY EFFICIENT

- No harmful ultraviolet or infrared wavelengths
- No lead or mercury
- Comparable light output to 65W BR30 incandescent while consuming less than 14W*



PRODUCT SPECIFICATIONS

LED Light Engine Cast aluminum heat sink integrated directly with housing provides superior thermal management to ensure the long life of the LED • Replaceable light engine mounts directly to heat sink and incorporates the latest generation, high lumen output LED array • LEDs are binned to standards that exceed Energy Star requirements yielding superior fixture to fixture color uniformity • 2700K, 3000K, 3500K, or 4100K color temperatures available • 85 CRI typical.

Optical System Computer-optimized internal reflector with high reflective white finish coupled with a high transmission diffusing lens conceals the LEDs and produces uniform aperture luminance.

Aesthetic Trim Selections Low profile scoop wall wash trim • Shadow free, knife edge design blends seamlessly into ceiling.

LED Driver Universal voltage driver accommodates input voltages from 120 to 277 volts AC at 50/60Hz • Power factor > 0.9 at 120V input • Driver has integral protection • Driver is dimmable with the use of most 120V electronic low voltage wall box dimmers • Optional 120 volt only driver available and is dimmable with the use of most incandescent, magnetic low voltage and electronic low voltage dimmers • For a list of compatible dimmers see **JUNOLEDG2-DIM** • Mounted between the j-box and housing for easy access and cool operation.

Life Rated for 50,000 hours at 70% lumen maintenance.

Labels UL listed for through-branch wiring, damp locations • Union made, UL and cUL.

Testing All reports are based on published industry procedures; field performance may differ from laboratory performance.

Product specifications subject to change without notice.

HOUSING FEATURES

Housing Designed for use in IC (insulated ceiling) or non-IC construction • Aluminum housing sealed for Air-Loc® compliance • Housing is vertically adjustable to accommodate up to a 1" ceiling thickness.

Junction Box Pre-wired junction box provided with (5) ½" and (1) ¾" knockouts, (4) knockouts for 12/2 or 14/2 NM cable and ground wire • UL listed and cUL listed for through-branch wiring, maximum 8 #12 @ 120V, 4 #12 @ 277V branch circuit conductors • Junction box provided with removable access plates • Knockouts equipped with pryout slots • Push-in electrical connectors supplied as standard for fast, secure installation.

Mounting Frame 22-gauge die-formed galvanized steel mounting frame • Rough-in section (junction box, mounting frame, housing and bar hangers) fully assembled for ease of installation.

Real Nail 3 Bar Hangers Telescoping Real Nail 3® system permits quick placement of housing anywhere within 24" O.C. joists or suspended ceilings • Includes removable nail for repositioning of fixture in wood joist construction • Integral T-bar notch and clip for suspended ceilings • Design covered under Patents US5,505,419 and D552,969.

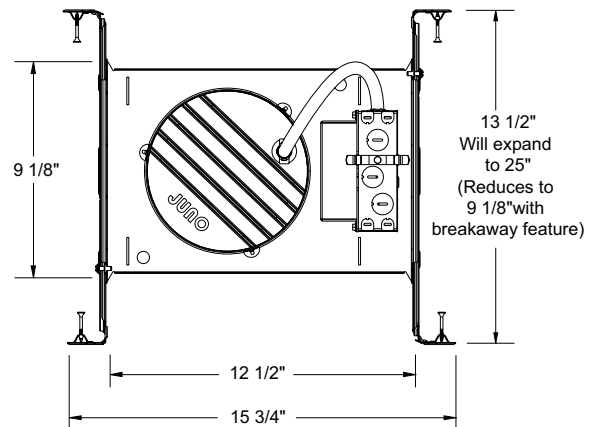
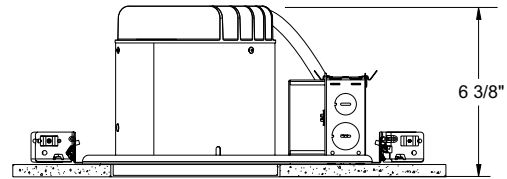
* Nominal input wattage @ 120-volt operation.

REV-4/11

6" IC LED DOWNLIGHT NEW CONSTRUCTION

IC22LEDG2 RECESSED HOUSING WALL WASH TRIM

DIMENSIONS



6 7/8" CEILING CUTOUT

ELECTRICAL DATA

Standard Universal Voltage

	120V	277V
Input Power	14.5W (+/-3.5%)	15.5W (+/-3.5%)
Input Current - Max	0.125A	0.058A
Frequency	50/60Hz	50/60Hz
EMI/RFI	FCC Title 47 CFR, Part 18, Class B (consumer)	FCC Title 47 CFR, Part 18, Class B (consumer)
Minimum starting temp	-30°C	-30°C

ELECTRICAL DATA

Dedicated 120V Only Driver Option

	120V
Input Power	14.5W (+/-3.5%)
Input Current - Max	0.125A
Frequency	50/60Hz
EMI/RFI	FCC Title 47 CFR, Part 18, Class B (consumer)
Minimum starting temp	-20°C

6" IC LED DOWNLIGHT NEW CONSTRUCTION

IC22LEDG2 RECESSED HOUSING WALL WASH TRIM

ORDERING INFORMATION: Housing, trim and accessories each ordered separately.

Example: **IC22LEDG2-3K**

Housing	Color Temperature	Option
IC22LEDG2	27K 2700K	(blank) Universal Voltage
IC22SLEDG2	3K 3000K	120 Dedicated 120V Only
Smaller footprint bar hangers (Real Nail® 2)	35K 3500K	
	41K 4100K	

Example: **262W-WH**

Trim/Description


262W-WH* Scoop Wall Wash with White Baffle

262B-WH* Scoop Wall Wash with Black Baffle

Trim Size: 7 5/8" O.D.
Trim Finish: WH - White.

* Replace reflector/lens shipped with LED housing with one provided with trim
Note: In Canada when insulation is present, Type IC fixtures must be used.

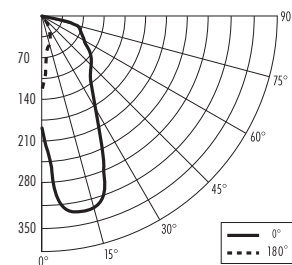
PHOTOMETRIC REPORT

Test Report #: PT09102801

Catalog No: IC22LEDG2-35K
with 262W-WH Trim

Luminaire Spacing Criterion @ 90°: 0.73

Luminaire: 6" IC LEDG2 Downlight,
Scoop Type Wall Wash Trim



CANDLEPOWER DISTRIBUTION (Candelas)

Degrees	0°	180°
Vertical	Wall Wash	Downlight
0	173	173
5	290	81
10	328	45
15	326	36
20	320	33
25	266	27
30	182	14
35	132	8
40	112	8
45	103	8
50	91	7
55	77	6
60	68	5
65	58	4
70	52	0
75	45	0
80	33	0
85	19	0
90	0	0

Multiplier: 27K - 0.88
3K - 0.96
41K - 1.05

ZONAL LUMEN SUMMARY

Zone	Lumens	%Lamp	%Fixture
0 - 30°	125	N/A	45.6
0 - 40°	170	N/A	61.9
0 - 60°	236	N/A	85.9
0 - 90°	274	N/A	100.0
90 - 180°	0	N/A	0
0 - 180°	274	N/A	100.0

LUMINANCE (Average cd/m²)

Average 180°	
Degrees	Downlight Luminance
45	650
55	658
65	519
75	0
85	0

FOOTCANDLES ON WALL FROM MULTIPLE FIXTURES

Fixture Distance to Wall	2'			3'								
	2'	3'	4'	3'	4'	5'						
1'	15	14	15	12	7	12	6	6	6	5	4	5
2'	15	14	15	11	9	11	7	7	7	6	4	6
3'	12	12	12	8	8	8	7	7	7	5	5	5
4'	10	10	10	8	6	8	6	6	6	4	4	4
5'	9	8	9	6	6	6	5	5	5	4	4	4
6'	7	7	7	4	5	4	5	5	5	4	3	4
7'	5	5	5	3	4	3	4	4	4	3	3	3
8'	4	4	4	3	3	3	4	4	4	3	3	3
9'	3	3	3	2	2	2	3	3	3	2	2	2

DISTANCE FROM CEILING

*For 262B-WH trim, use 0.88 multiplier.

*Note: Multipliers are provided for estimating purposes only. Use IES photometric files for precise photometric information.



1300 S. Wolf Road • Des Plaines, IL 60018 • Phone (847) 827-9880 • Fax (847) 827-2925
220 Chrysler Drive • Brampton, Ontario • Canada L6S 6B6 • Phone (905) 792-7335 • Fax (905) 792-0064
Visit us at www.junolightinggroup.com

Printed in U.S.A. ©2011 Juno Lighting, LLC.