



# ACULUX® RECESSED DOWNLIGHT

6" VERTICAL CFL, OPEN APERTURE

IC Rated, One 26W or 32W Triple Tube

## ICV6-126/32T-600 SERIES

Project: \_\_\_\_\_

Fixture Type: \_\_\_\_\_

Location: \_\_\_\_\_

Contact/Phone: \_\_\_\_\_

### PRODUCT SPECIFICATIONS

**Lamp** One 26W or 32W triple tube compact fluorescent lamp CFTR26W/GX24q-3 or CFTR32W/GX24q-3 • 4 pin electronic.

**Socket Housing** Single-position, keyed toolless reflector attachment.

**Ballast** 120V HPF Electronic with end-of-life lamp protection • U.L. listed/CSA certified.

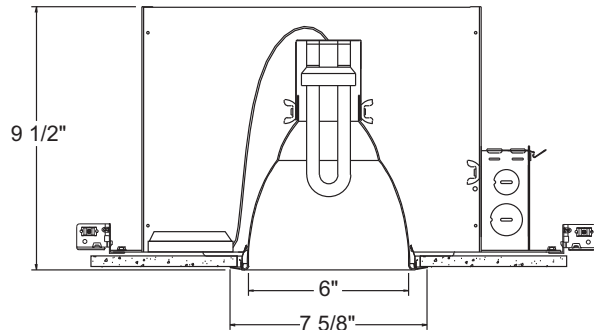
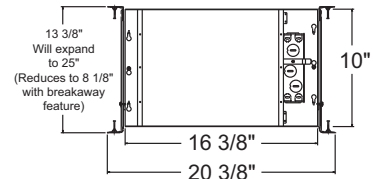
**Trim Ring** White, Satin Chrome, or Classic Aged Bronze Polycarbonate • Optional self-flanged trim with same finish as reflector.

**Reflector** .050" aluminum reflector with low iridescent clear, gold or haze finish • Other finishes including wheat, straw and pewter available on special order basis.

**Labels** U.L. listed for direct contact with insulation, through-branch wiring and damp locations • Meets Washington State Air Tight Requirements, 1995 CABO Model Energy Code • Complies with FCC Part 18 consumer use limits • Product mechanically protected against improper use of lamps • Union made • CSA certified.

**Testing** All reports are based on published industry procedures; field performance may differ from laboratory performance. Product specifications subject to change without notice.

### DIMENSIONS



6 7/8" CEILING CUTOUT

### INSTALLATION

**Real Nail 3 Bar Hangers** Telescoping, patent-pending Real Nail 3 system permits quick placement of housing anywhere within 24" O.C. joists or suspended ceilings • Integral T-bar notch and clip secures housing in suspended ceiling grid – no accessory clips required • 24" expansion stop allows quick placement of fixture in standard grid spacing • Bars scored in two locations for fast, clean breaking, allowing housing installation in tight applications • Bars captive to mounting frame • Edge-mounted for extra strength • Captive bugle-headed ring shank nail for quick one-step installation and easy removal with claw hammer for fixture relocation • Quick-Loc slot and oversized locking set screw lock fixture in position • Bar hanger foot contoured to align to bottom of construction joist • Alternate mounting holes included.

**Junction Box** Pre-wired junction box, U.L. listed/CSA certified for through-branch wiring, maximum 8 No. 12 AWG 90° C branch circuit conductors (4 in, 4 out) • Junction box provided with removable access plates (5) 1/2" and (1) 3/4" knockouts, (4) Non-metallic sheathed cable knock-outs with built-in strain reliefs and ground wire • Knockouts equipped with pryout slots.

**Housing/Mounting Frame** 20-gauge die-formed galvanized steel plaster frame • .032" die-formed aluminum housing • Rough-in section (junction box, mounting frame, housing assembly, ballast and bar hangers) fully assembled for ease of installation.

### ENGINEERING DATA

120V-HPF 26W/32W	
Total input power	28W/35W
Operating AMPS	.23A/.29A
Power Factor	>.98
T.H.D.	<10%
Min. starting temperature	0°F/ -18°C
Crest Factor	<1.65
Ballast Factor	>.98

### PRODUCT CODES

Catalog Number	Reflector Finish, Trim	Ballast	Wattage and Lamp
ICV6-126/32T-600C-WH	Low Iridescent Clear Alzak, White Trim	HPF 120V Elect.	26W or 32W Triple Tube CFL
ICV6-126/32T-600G-WH	Low Iridescent Gold Alzak, White Trim	HPF 120V Elect.	26W or 32W Triple Tube CFL
ICV6-126/32T-600HZ-WH	Low Iridescent Haze, White Trim	HPF 120V Elect.	26W or 32W Triple Tube CFL
ICV6-126/32T-600WHZ-WH	Low Iridescent Wheat Haze, White Trim	HPF 120V Elect.	26W or 32W Triple Tube CFL

### OPTIONS

(Add as suffix to housing or trim)

Catalog No.	Description
DB120	120V Dimming Ballast
SF	Self-Flanged Reflector

Ordering Example: ICV6-126/32T-DB120-600-SF



**PHOTOMETRIC REPORT**

**Test Report #:** PT05991510  
**Catalog No:** ICV6-126/32T-600C-WH  
**Total Luminaire Efficiency:** 70.7%  
**Luminaire Spacing Criterion:** 1.0  
**Luminaire:** Recessed Clear Alzak Reflector Downlight  
**Lamp:** One 26W Triple Tube CFL lamp rated @ 1800 lumens

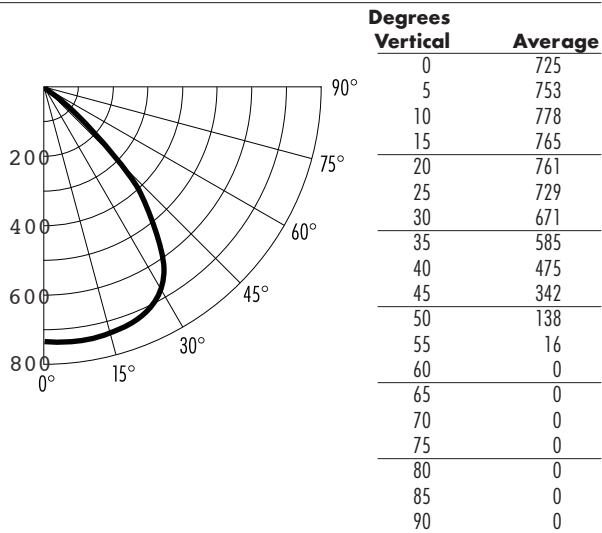
**ACULUX® RECESSED DOWNLIGHT**

6" VERTICAL CFL, OPEN APERTURE

IC Rated, One 26W or 32W Triple Tube

**ICV6-126/32T-600 SERIES**

**CANDLEPOWER DISTRIBUTION (Candelas)**



\*Multipliers: 32W - 1.33, Gold - 0.9, Haze - 0.95

**LUMINANCE (Average cd/m²)**

Degrees	Average Luminance
45	26,500
55	1,530
65	0
75	0
85	0

**ZONAL LUMEN SUMMARY**

Zone	Lumens	%Lamp	%Fixture
0-30°	624	34.7	49.1
0-40°	987	54.8	77.5
0-60°	1268	70.5	99.7
0-90°	1272	70.7	100.0
90-180°	0	0	0
0-180°	1272	70.7	100.0

**COEFFICIENTS OF UTILIZATION – % (Zonal Cavity Method)** Effective Floor Cavity Reflectance 20% (ρfc)

RCR	ρcc ρw	80			70			50			30			10			0
		50	30	10	50	30	10	50	30	10	50	30	10	50	30	10	0
0		84	84	84	82	82	82	78	78	78	75	75	75	72	72	72	70
1		77	75	73	76	74	72	73	71	70	70	69	68	68	67	66	65
2		71	68	65	70	67	64	67	65	63	65	63	61	63	61	60	59
3		65	61	58	64	60	57	62	59	56	60	57	55	59	56	54	53
4		60	55	52	59	54	51	57	53	51	56	52	50	54	52	49	48
5		55	50	46	54	49	46	53	49	46	51	48	45	50	47	45	44
6		50	45	42	50	45	42	49	44	41	48	44	41	47	43	41	40
7		46	41	38	46	41	38	45	41	38	44	40	37	43	40	37	36
8		43	38	35	43	38	35	42	37	34	41	37	34	40	37	34	33
9		40	35	32	39	35	32	39	34	32	38	34	31	37	34	31	30
10		37	32	29	37	32	29	36	32	29	35	32	29	35	31	29	28

ρcc – Ceiling Cavity Reflectance (%) ρw – Wall Reflectance (%)

**INITIAL FOOTCANDLES**

One Unit, 26 Watt, 66° Beam

Footcandles Beam Edge	Footcandles Beam Center	Beam Diameter	Distance to Illuminated Plane (Feet)
5.9	20.1	7.9'	6
3.3	11.3	10.5'	8
2.1	7.3	13.1'	10
1.5	5.0	15.7'	12
1.1	3.7	18.3'	14
0.8	2.8	21.0'	16
0.7	2.2	23.6'	18
0.5	1.8	26.2'	20

(Beam Edge defined as 50% of Maximum Nadir Candlepower)

**AVERAGE INITIAL FOOTCANDLES**

Multiple Units (Square Array, 60' x 60' Room)

Ceiling 80% Wall 50% Floor 20%

Spacing	RCR1	RCR3	RCR5
4.0'	87	73	62
5.0'	55	47	40
6.0'	39	33	28
7.0'	31	26	22
8.0'	25	21	18
9.0'	19	16	13
10.0'	14	12	10

\*Note: Multipliers are provided for estimating purposes only. Use IES photometric files for precise photometric information.

