



# TRAC-MASTER®

Avant Garde

## MINI-PAR SERIES

T420, T421, T423, T425 and T427

Project: \_\_\_\_\_

Fixture Type: \_\_\_\_\_

Location: \_\_\_\_\_

Contact/Phone: \_\_\_\_\_

### PRODUCT DESCRIPTION

Designed especially for halogen PAR lamps. The Mini-PAR's compact shape and slotted yoke make it ideal for today's high styled applications.

**Construction** Drawn steel housing with die-formed steel yokes.

**Lampholder** Medium base porcelain with nickel plated copper screw shell.

**Aiming** 90° vertical aiming capability and 358° rotation

- Two locking screws provided.

**Adapter** Copper alloy contacts provide precise spring action - no arcing and will not take a set • True, positive electrical ground • On/off switch included • Patented embossed polarity arrows on bottom of adapter • Spring-loaded positive latch with embossed polarity arrows secures trac light to trac • "Pull-up" contact to up position for two-circuit application.

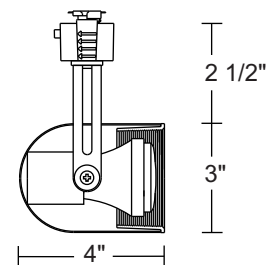
**Labels** UL listed, CSA certified.

Product specifications subject to change without notice.



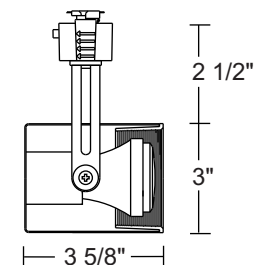
### Line Voltage PAR16

Catalog Number	Finish	Baffle	Lamp
T420B-WH	White	Black	45-60W PAR16
T420B-BL	Black w/ both Black and Red Adjusting Buttons	Black	45-60W PAR16
T420B-SC	Satin Chrome w/ Black Adjusting Buttons	Black	45-60W PAR16
T420W-WH	White	White	45-60W PAR16



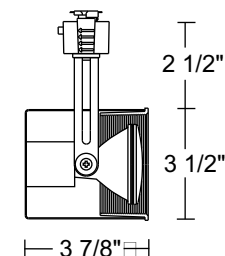
### Line Voltage PAR16

Catalog Number	Finish	Baffle	Lamp
T421B-WH	White	Black	45-60W PAR16
T421B-BL	Black w/ both Black and Red Adjusting Buttons	Black	45-60W PAR16
T421B-SC	Satin Chrome w/ Black Adjusting Buttons	Black	45-60W PAR16
T421W-WH	White	White	45-60W PAR16



### Line Voltage PAR20

Catalog Number	Finish	Baffle	Lamp
T423B-WH	White	Black	35-50W PAR20
T423B-BL	Black w/ both Black and Red Adjusting Buttons	Black	35-50W PAR20
T423B-SC	Satin Chrome w/ Black Adjusting Buttons	Black	35-50W PAR20
T423W-WH	White	White	35-50W PAR20



### ACCESSORIES

Cat. No.	Description	Cat. No.	Description	Cat. No.	Description
T71BL	Black Barn Doors†	T560BL	Black Accessory Holder	T561-6	Color Filters
T569BL	Cube Cell Louver	T5677	Prismatic Spread Lens	T5678	Linear Spread Lens
T5621	Uniformity Lens	T5622	UV Filter	T5618	Color Correction Filter

See specification sheet D1.2.2 for details.

† Barn Doors accept Color Filters, Lenses and Louvers.

**TRAC-MASTER®**

Avant Garde

**MINI-PAR SERIES****T420, T421, T423, T425 and T427****PRODUCT DESCRIPTION**

Designed especially for halogen PAR lamps. The Mini-PAR's compact shape and slotted yoke make it ideal for today's high styled applications.

**Construction** Drawn steel housing with die-formed steel yokes.

**Lampholder** Medium base porcelain with nickel plated copper screw shell.

**Aiming** 90° vertical aiming capability and 358° rotation

- Two locking screws provided.

**Adapter** Copper alloy contacts provide precise spring action - no arcing and will not take a set • True, positive electrical ground • On/off switch included

- Patented embossed polarity arrows on bottom of adapter • Spring-loaded positive latch with embossed polarity arrows secures trac light to trac
- "Pull-up" contact to up position for two-circuit application.

**Labels** UL listed, CSA certified.

Product specifications subject to change without notice.

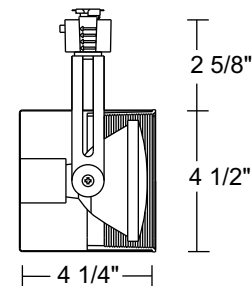
**Line Voltage PAR30**

Catalog Number	Finish	Baffle	Lamp
T425B-WH	White	Black	50-75W PAR30
T425B-BL	Black w/ both Black and Red Adjusting Buttons	Black	50-75W PAR30
T425B-SC	Satin Chrome w/ Black Adjusting Buttons	Black	50-75W PAR30
T425W-WH	White	White	50-75W PAR30

**ACCESSORIES**

Cat. No.	Description	Cat. No.	Description	Cat. No.	Description
T72BL	Black Barn Doors†	T570BL	Black Accessory Holder	T571-6	Color Filters
T579BL	Cube Cell Louver	T5777	Prismatic Spread Lens	T5778	Linear Spread Lens
T5721	Uniformity Lens	T5722	UV Filter	T5718	Color Correction Filter

See specification sheet [D1.2.2](#) for details.

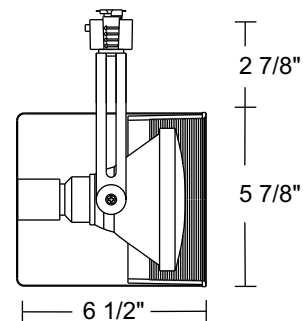
**Line Voltage PAR38**

Catalog Number	Finish	Baffle	Lamp
T427B-WH	White	Black	45-250W PAR38
T427B-BL	Black w/ both Black and Red Adjusting Buttons	Black	45-250W PAR38
T427W-WH	White	White	45-250W PAR38

**ACCESSORIES**

Cat. No.	Description	Cat. No.	Description	Cat. No.	Description
T73BL	Black Barn Doors†	T73WH	White Barn Doors†	T580BL	Black Accessory Holder
T581-6	Color Filters	T589BL	Cube Cell Louver		

See specification sheet [D1.2.2](#) for details.



† Barn Doors accept Color Filters and Louvers.



1300 S. Wolf Road • Des Plaines, IL 60018 • Phone (847) 827-9880 • Fax (847) 827-2925  
 220 Chrysler Drive • Brampton, Ontario • Canada L6S 6B6 • Phone (905) 792-7335 • Fax (905) 792-0064  
 Visit us at [www.junolightinggroup.com](http://www.junolightinggroup.com)

Printed in U.S.A. ©2010 Juno Lighting, LLC.