



8" FRAMING PROJECTOR

75W MR16 FL

TC960-245,-246

Project: _____

Fixture Type: _____

Location: _____

Contact/Phone: _____

PRODUCT SPECIFICATIONS

Lamp One 75W MR16 FL (EYC).

Socket Ceramic bi-pin with integral heat shield.

Optical Three lens optical system • Precise beam focusing permits total control and confinement of the light.

Adjustability 0° to 45° vertical tilt, 358° horizontal rotation
• Tilt and rotational locks.

Shutters Four independently operated shutters for precise framing.

Trim Slot Aperture (245WH) for wall framing • Pinhole (246WH) for straight downlight framing • White baked enamel on steel.

Transformer 75VA 12V thermally protected magnetic transformer.

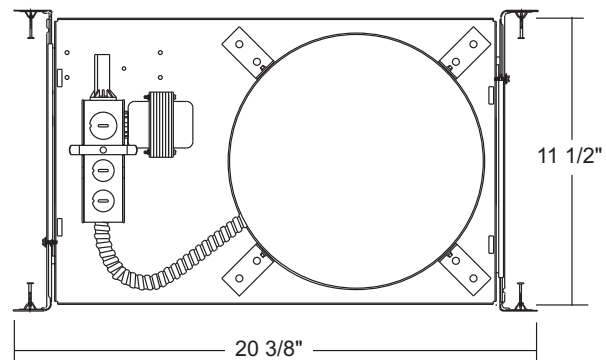
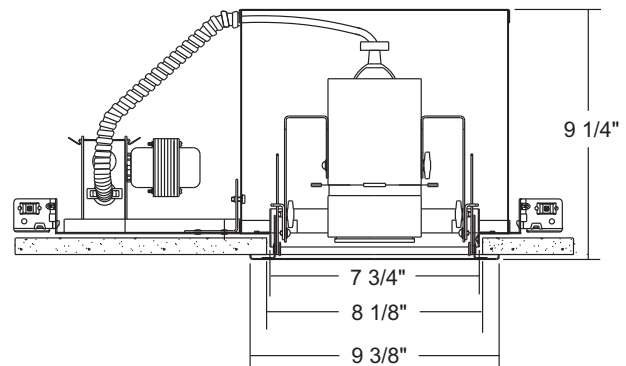
Mounting Provided with Real Nail 3 bar hanger assemblies for installation in wood construction • Also equipped with commercial mounting brackets for ease of installation.

Labels U.L. listed for through-branch wiring, damp locations, and IP • Product thermally protected against improper use of lamps or insulation • Union made • CSA certified.

Testing All reports are based on published industry procedures; field performance may differ from laboratory performance.

Product specifications subject to change without notice.

DIMENSIONS



8 1/8" CEILING CUTOUT

INSTALLATION

Real Nail 3 Bar Hangers Telescoping, patent-pending Real Nail 3 system permits quick placement of housing anywhere within 24" O.C. joists or suspended ceilings • Integral T-bar clip secures housing in suspended ceiling grid – no accessory clips required
• 24" expansion stop allows quick placement of fixture in standard grid spacing • Bars scored in two locations for fast, clean breaking, allowing housing installation in tight applications • Bars captive to mounting frame • Edge-mounted for extra strength • Captive bugle-headed ring shank nail for quick one-step installation and easy removal with claw hammer for fixture relocation • Quick-Loc slot and oversized locking set screw lock fixture in position • Bar hanger foot contoured to align to bottom of construction joist • Alternate mounting holes included.

Mounting Bracket As an alternate mounting means to Real Nail 3 bar hangers which are factory installed, vertically adjustable mounting brackets (shipped loose) that accept 1/2" conduit or "C" channels (HB-26 or HB-50) or linear flat bars (LB-27).

Junction Box Pre-wired junction box, U.L. listed/CSA certified for through-branch wiring, maximum 8 No. 12 AWG 90° C branch circuit conductors (4 in, 4 out) • Junction box provided with removable access plates, (5) 1/2" and (1) 3/4" knockouts and ground wire • Knockouts equipped with pryout slots.

Mounting Frame 18-gauge, die-formed • 17 3/4" L x 11 1/2" W, excluding mounting brackets, galvanized steel • Rough-in section (junction box, mounting frame and housing assembly) fully assembled for ease of installation.

PRODUCT CODES

Catalog Number	Trim	Transformer	Wattage and Lamp
TC960-245WH	Slot Aperture	12V - 75VA	12V 75W MR16 FL (EYC)
TC960-246WH	Pinhole	12V - 75VA	12V 75W MR16 FL (EYC)

ACCESSORIES

Catalog No.	Description
HB-26	Two 26" C-channel bar hangers
HB-50	Two 50" C-channel bar hangers
LB-27	Two 27" linear bar hangers

To order, specify catalog number.

Catalog No: TC960-245WH
Luminaire: Recessed Framing Projector
Lamp: One 75W MR16 FL lamp (EYC)

8" FRAMING PROJECTOR

75W MR16 FL

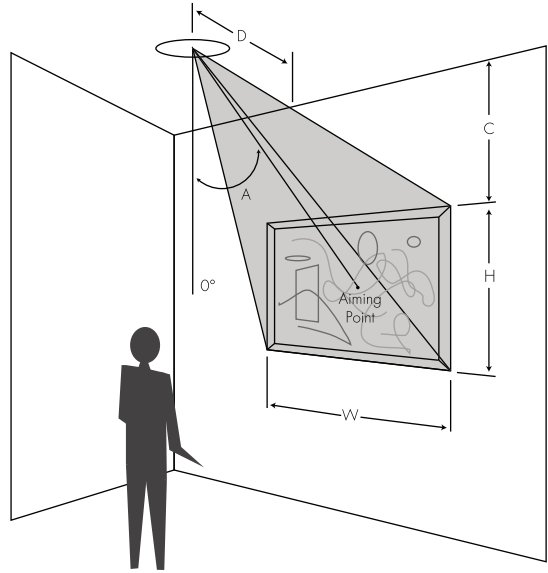
TC960-245,-246

Illumination and Beam Coverage on a Horizontal Plane

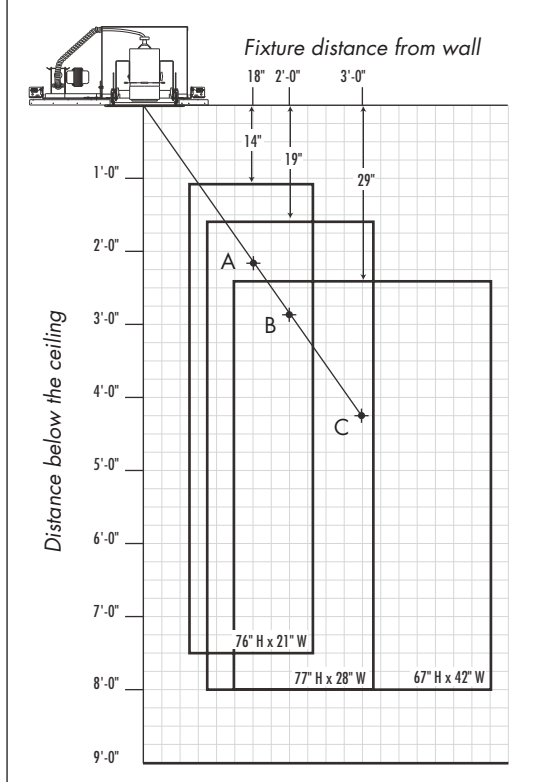
Ceiling Height	8'		9'		10'	
Table Height (inches)	36	30	36	30	36	30
Distance From Ceiling (inches)	60	66	72	78	84	90
Maximum Beam Size (inches) (L/W)	56/45	61/50	65/56	69/59	74/65	80/69
Footcandles on Beam Axis (FC)	30	25	20	17	15	13

Illumination Levels on a Vertical Plane

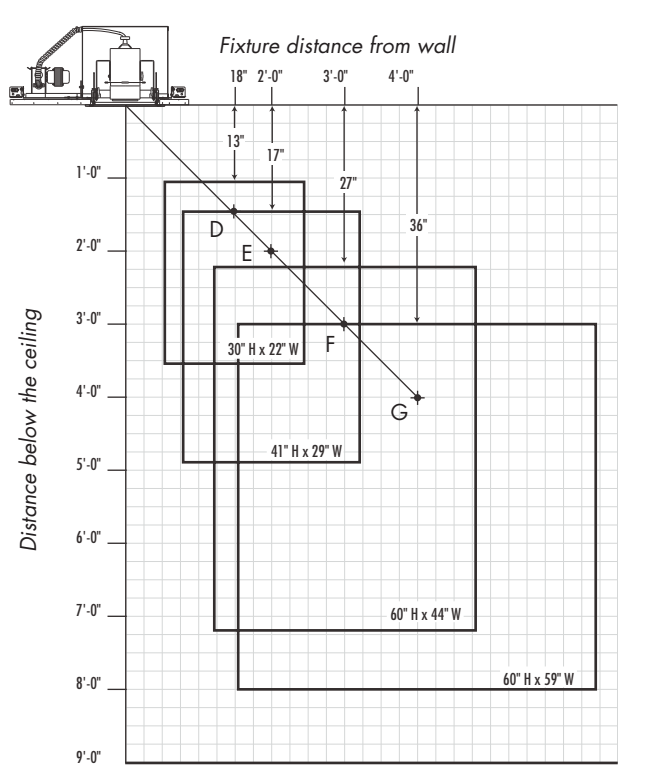
Mounting Distance (D)	18"		2'		3'		4'	
Aiming Angle (A)	35°	45°	35°	45°	35°	45°	35°	45°
Aiming Point	A	D	B	E	C	F	—	G
FC at Aiming Point	158	225	85	133	37	57	—	32
Maximum FC	214	239	114	137	48	62	—	35



Maximum framing dimensions for 35° aiming angle



Maximum framing dimensions for 45° aiming angle



Rectangle denotes maximum possible size of framed image (height & width) and distance below ceiling (c) for given fixture distance from the wall.



1300 S. Wolf Road • Des Plaines, IL 60018 • Phone (847) 827-9880 • Fax (847) 827-2925
 220 Chrysler Drive • Brampton, Ontario • Canada L6S 6B6 • Phone (905) 792-7335 • Fax (905) 792-0064
 Visit us at www.junolightinggroup.com