

**JUNO**

Project: \_\_\_\_\_

Fixture Type: \_\_\_\_\_

Location: \_\_\_\_\_

Contact/Phone: \_\_\_\_\_

# 4" IC 600 LUMEN WARMDIM™\* LED DOWNLIGHT NEW CONSTRUCTION

IC1LWDG3 RECESSED HOUSING

LENSED TRIMS



## PRODUCT DESCRIPTION

Dedicated LED, Air-Loc® sealed new construction housing with WarmDim™ technology (patent pending) • LED color temperature warms while dimming to emulate the dimming performance of traditional incandescent light sources • Double wall, shallow housing construction allows for fit in 2 x 6 construction • Can be completely covered with insulation • Fully sealed housing stops infiltration and exfiltration of air, reducing heating and air cooling costs without the use of additional gaskets • LED housing is designed to provide 50,000 hours of life and is compatible with many standard Juno trims • 5 year limited warranty on LED components.

## ENVIRONMENTALLY FRIENDLY, ENERGY EFFICIENT

- No harmful ultraviolet or infrared wavelengths
- No lead or mercury, RoHS compliant
- Comparable light output to 65W incandescent while consuming less than 15W



## PRODUCT SPECIFICATIONS

**LED Light Engine** Proprietary micro processor controlled light engine emulates dimming performance of incandescent light source • Replaceable light engine attached to high purity aluminum, thermally conductive inner housing and heat sink provides superior heat transfer to ensure long life of the LEDs • 3000K color temperature at full lumen output • 83 CRI typical.

**Optical System** Computer-optimized reflector design with high reflectance finish coupled with a high transmission diffusing lens conceals the LEDs and produces uniform aperture luminance.

**Aesthetic Trim Selections** Compatible with wide selection of existing Juno trims • Shadow free, knife edge design blends seamlessly into ceiling • Trims are wet location approved for covered ceiling applications.

**LED Driver** Dedicated 120 volt driver • Power factor > 0.9 • Dimmable with the use of most incandescent, magnetic low voltage and electronic low voltage wall box dimmers • For a list of compatible dimmers, see [JUNOLEDG3-6-WARMDIM](#) • Mounted inside housing for easy access from below ceiling.

**Life** Rated for 50,000 hours at 70% lumen maintenance.

**Labels** UL listed for U.S. and Canada through-branch wiring, damp locations • Union made • UL and cUL.

**Testing** All reports are based on published industry procedures; field performance may differ from laboratory performance.

Product specifications subject to change without notice.

## HOUSING FEATURES

**Housing** Designed for use in IC (insulated ceiling) or non-IC construction • Aluminum housing sealed for Air-Loc® compliance • Housing is vertically adjustable to accommodate up to a 1 1/2" ceiling thickness.

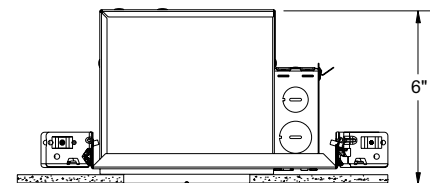
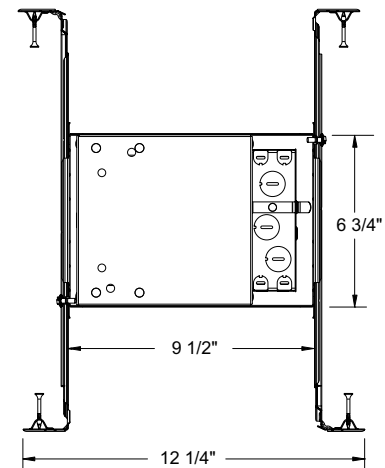
**Junction Box** Pre-wired junction box provided with (6) 1/2" and (1) 3/4" knockouts, (4) knockouts for 12/2 or 14/2 NM cable and ground wire • UL listed and cUL listed for through-branch wiring, maximum 6 #12 branch circuit conductors • Junction box provided with removable access plates • Knockouts equipped with pryout slots • Quick connect electrical connectors supplied as standard for fast, secure installation.

**Mounting Frame** 22-gauge die-formed galvanized steel mounting frame • Rough-in section (junction box, mounting frame, housing and bar hangers) fully assembled for ease of installation.

**Real Nail 3 Bar Hangers** Telescoping Real Nail 3® system permits quick placement of housing anywhere within 24" O.C. joists or suspended ceilings • Includes removable nail for repositioning of fixture in wood joist construction • Integral T-bar notch and clip for suspended ceilings • Design covered under Patents US5,505,419 and D552,969.

\*Patent pending

## DIMENSIONS

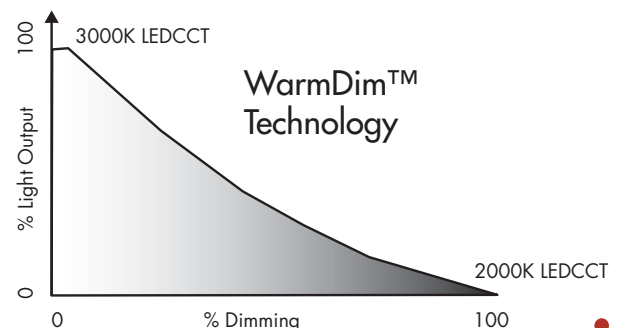


4 1/2" CEILING CUTOUT

## ELECTRICAL DATA

### Dedicated 120V Only Driver

120V	
Input Power	14W (+/-5%)
Input Current - Max	0.125A
Frequency	50/60 Hz
EMI/RFI	FCC Title 47 CFR, Part 15 Class B (residential)
Minimum starting temp	-20°C



# 4" IC 600 LUMEN WARMDIM™ \* LED DOWNLIGHT NEW CONSTRUCTION



## IC1LWDG3 RECESSED HOUSING LENSED TRIMS

**ORDERING INFORMATION:** Housing and trim each ordered separately.

Example: **IC1LWDG3-3K-1**

Housing	Color Temperature	Input Voltage
IC1LWDG3	3K 3000K	1 Dedicated 120V Only (Forward Phase + ELV dimmable)

Example: **12W-WH**

Trim/Description			
	<b>11-WH</b>	Drop Opal	<b>4101-ABZ</b> <b>4101-SC</b> <b>4101-WH</b>
	<b>12W-WH</b> <b>12W-SC</b> <b>12W-ABZ</b>	Shower Trim, frosted perimeter lens	<b>4102-ABZ</b> <b>4102-SC</b> <b>4102-WH</b>

UL Listed for use in wet location.

Trim Size: 5" O.D.

Trim Finish: ABZ - Classic Aged Bronze, SC - Satin Chrome, WH - White

Note: In Canada when insulation is present, Type IC fixtures must be used.

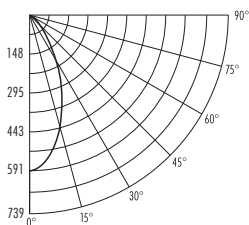
### PHOTOMETRIC REPORT

Test Report #: PT02120104R

Catalog No: IC1LWDG3-3K  
with 12W-WH Trim

Luminaire Spacing Criterion: 0.74

Luminaire LPW: 36



### CANDLEPOWER DISTRIBUTION (Candelas)

Degrees	Vertical	0°
0	591	
5	570	
15	442	
25	260	
35	129	
45	64	
55	37	
65	23	
75	12	
85	2	
90	0	

### AVERAGE INITIAL FOOTCANDLES

Multiple Units (Square Array, 60'x60' room)

Ceiling 80% Wall 50% Floor 20%

Spacing	RCR1	RCR3	RCR5
4.0'	35	31	27
5.0'	22	20	18
6.0'	15	14	12
7.0'	12	11	10
8.0'	10	9	8
9.0'	8	7	6
10.0'	6	5	4

### ZONAL LUMEN SUMMARY

Zone	Lumens	%Lamp	%Fixture
0-30°	296	N/A	58.9
0-40°	379	N/A	75.3
0-60°	464	N/A	92.2
0-90°	503	N/A	100.0

### INITIAL FOOTCANDLES

(One Unit, 14.0W, 46.2° Beam)

Distance to Illuminated Plane (Feet)	Footcandles Beam Center	Beam Diameter
4	36.9	3.4'
6	16.4	5.1'
8	9.2	6.8'
10	5.9	8.5'

### LUMINANCE (Average cd/m²)

Degrees	Average Luminance
45	14630
55	10262
65	8863
75	7581
85	4092

Fixtures tested to IES recommended standard for solid state lighting per LM-79-08. Photometric performance on a single unit represents a baseline of performance for the fixture. Results may vary in the field.

\*Patent pending



1300 S. Wolf Road • Des Plaines, IL 60018 • Phone (847) 827-9880 • Fax (847) 827-2925  
220 Chrysler Drive • Brampton, Ontario • Canada L6S 6B6 • Phone (905) 792-7335 • Fax (905) 792-0064

Visit us at [www.junolightinggroup.com](http://www.junolightinggroup.com)

Printed in U.S.A. ©2012 Juno Lighting, LLC.