



# TRAC 12

Miniature Low Voltage Trac System

## LED MODULE

## 12-VOLT AC

## TL201LED

Project: \_\_\_\_\_

Fixture Type: \_\_\_\_\_

Location: \_\_\_\_\_

Contact/Phone: \_\_\_\_\_

### PRODUCT DESCRIPTION

Miniature LED module approximates the lumen output and light distribution of 5-watt xenon lamps, utilizing approximately 1/8 of the energy while lasting 50,000 hours. Available in 3000K and 5000K color temperatures, the white-light TL201LED Series is ideal for linear lighting applications including cove, undercabinet, undershelf, task and casework display lighting. The TL201LED is compatible with standard Trac 12 and Trac 12/25 trac.

### PRODUCT SPECIFICATIONS

**LED** 3000K or 5000K white phosphor low power LED designed to operate using 12-volt AC input.

**Housing** High temperature engineered thermoplastic.

**Electrical Contacts** Beryllium copper.

**Trac** Refer to specification sheet [D3.1.0](#) and [D3.1.1](#).

**Transformers/Drivers** Compatible with all 12VAC Trac 12 and Trac 12/25 Remote Mount Magnetic Transformers – refer to specification sheets [D3.1.3](#) and [D3.1.6](#) • Compatible with all 12VAC TL601E Electronic Drivers – refer to specification sheet [D3.1.8](#).

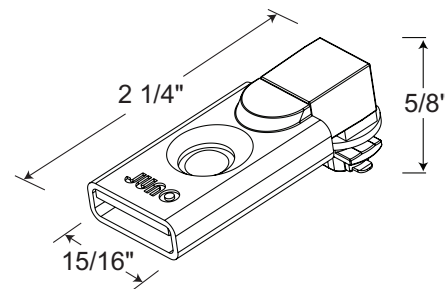
**Dimming** May be dimmed with dimmers tested and qualified by Juno for use with the non-resistive TL201LED Series load – see transformer specifications for compatible dimmers • Color temperature remains constant over dimming range • Consult factory for additional information.

**Warranty** Warranty period is 3-years from date of purchase  
 • Standard Juno Lighting Group product guarantee terms and conditions apply • Continuously operating the TL201LED above 12VAC will void the warranty.

**Labels** UL/CUL Listed.

Product specifications subject to change without notice.

### DIMENSIONS



### PRODUCT CODES

#### LED MODULES

Catalog Number	Finish	Color Temperature
<b>TL201LED-3K-WH</b>	White	3000K
<b>TL201LED-3K-BL</b>	Black	3000K
<b>TL201LED-5K-WH</b>	White	5000K
<b>TL201LED-5K-BL</b>	Black	5000K

### PERFORMANCE DATA<sup>1</sup>

	Watts	Lumens	Efficacy (LPW)	Rated Life (hours)
<b>3000K</b>				
@11.5V	0.5	15	29	50,000
@12.0V	0.6	16	27	50,000
<b>5000K</b>				
@11.5V	0.5	21	45	50,000
@12.0V	0.6	24	40	50,000

<sup>1</sup>Performance data, including Rated Life, is based on measurements of an individual module operating in a 25°C ambient. In practice, multiple modules used in a system will average slightly lower power consumption due to voltage drop within the system.

# TRAC 12

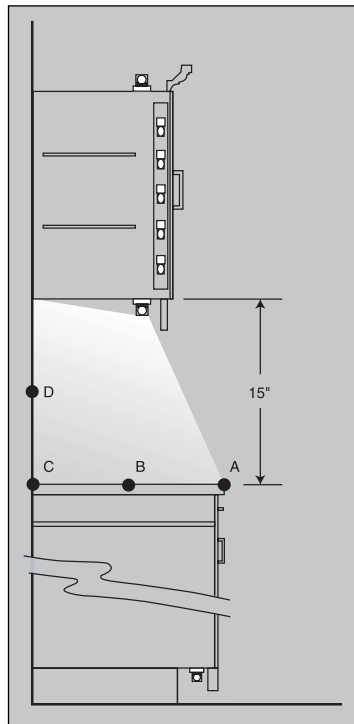
Miniature Low Voltage Trac System

## LED MODULE

## 12-VOLT AC

## TL201LED

### Cabinetry Lighting Guidelines



**Over Cabinets** Trac 12 using TL201LEDs spaced 3" on-center generally provides excellent indirect lighting. For lower-level mood lighting use wider lamp spacing. Placing the fixture at the front edge of the cabinet top will project light into the space and illuminate any displayed objects. Locate top of lamp even with top edge of cove molding to prevent a harsh shadow line.

**Inside Cabinets** Running Trac 12 vertically on the front inside of cabinets avoids the need to put trac on each shelf. TL201LEDs placed 4"-6" on-center generally provide adequate lighting inside a cabinet.

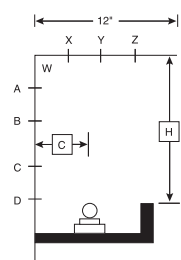
**Under Cabinets** Placing Juno Trac 12 at the front lip of the cabinet conceals the fixture from view, minimizes veiling reflections, and provides maximum light on the working area of the countertop.

Cat #	Color Temp	O.C. Spacing	Footcandles*			
			A	B	C	D
TL201LED-3K	3000K	3"	11	29	18	12
TL201LED-5K	5000K	3"	16	42	26	18

**Kick Spaces** TL201LEDs spaced 4" on-center generally provides adequate kick space lighting. Wider spacings can be used when the distance from the trac to the floor is greater than 4" or when even illumination is not required.

Note: Shiny flooring or countertops may cause lamp image reflections.

### Cove Lighting



Footcandles on Vertical and Horizontal planes 3000K/5000K\*

Lamp Spacing from Wall [C]	O.C. Lamp Spacing	Cove Height [H]	Footcandles on Vert. Plane (Wall)				Footcandles on Horiz. Plane (Ceiling)			
			A	B	C	D	W	X	Y	Z
3"	3"	6"	50/73	58/85	59/87	21/31	80/117	59/87	34/50	22/32
3"	3"	9"	31/45	40/59	53/78	16/23	56/82	47/68	33/48	21/31
3"	3"	12"	21/30	27/40	44/65	14/20	42/61	37/54	28/42	20/30
4"	4"	6"	37/55	38/56	33/48	14/20	58/85	50/74	30/44	18/26
4"	4"	9"	25/37	30/44	31/45	10/14	42/61	37/55	27/39	17/25
4"	4"	12"	17/25	22/33	29/42	7/11	32/46	29/42	23/34	16/23

### LUMENS PER FOOT\*

	Lamp spacing			
	2 1/4"	3"	4"	6"
TL201LED-3K (3000K)	80	64	48	32
TL201LED-5K (5000K)	120	96	72	48

### MAXIMUM TRAC RUN LENGTH\*\*

	Lamp spacing			
	2 1/4"	3"	4"	6"
TL575-75-BL (75 watt magnetic transformer)	28'	37.5'	50'	75'

\*Data shown is at 12-volts. For operation at 11.5-volts multiply by 0.9

\*\*Based on in transformer capacity and 20% max light output decrease between first and last fixture on trac due to voltage drop.



1300 S. Wolf Road • Des Plaines, IL 60018 • Phone (847) 827-9880 • Fax (847) 827-2925  
 220 Chrysler Drive • Brampton, Ontario • Canada L6S 6B6 • Phone (905) 792-7335 • Fax (905) 792-0064  
 Visit us at [www.junolightinggroup.com](http://www.junolightinggroup.com)

Printed in U.S.A. ©2009 Juno Lighting, LLC.