



UNDERCABINET LIGHTING

SOLO-TASK LED

12VAC, 3000K LED ARRAY

USTL1-3K, UK3STL1-3K

USTLR1-3K

Project: _____

Fixture Type: _____

Location: _____

Contact/Phone: _____

PRODUCT DESCRIPTION

The Solo-Task LED luminaire offers ultimate flexibility and efficiency for task and accent lighting. The diminutive size allows it to be used easily and unobtrusively in applications where lighting of both superior efficacy and quality is desired. Solo-Task LED luminaires approximate light levels of 20-watt halogen and xenon sources while using less than 1/4 of the energy, and generates significantly less heat. The ability to use multiple Solo-Task LED luminaires together in a daisy-chain method makes installation simple and straightforward. Solo-Task LED luminaires are designed for maintenance free operation for 50,000 hours and can be ordered in surface mount or recessed mount configuration. A convenient all-in-one surface mount kit is also available.

ENVIRONMENTALLY FRIENDLY, ENERGY EFFICIENT

- No harmful ultraviolet or infrared wavelengths
- No lead or mercury

PRODUCT SPECIFICATIONS

LED 3000K white phosphor array provides outstanding performance, color quality/consistency and reliability • 85 CRI.

Housing Quality die-cast aluminum • Daisy-chain capable utilizing screw-type terminal blocks • Accepts 14AWG through 18AWG wire • Designer white, black, brushed bronze or satin nickel finishes • Available as surface mount or recessed mount fixture.

Life Rated at 50,000 hours at 70% lumen maintenance.

Lens High transmission diffusing lens produces smooth, uniform aperture luminance.

LED Drivers/Transformers Onboard luminaire LED driver operates at less than 5-watts input at 12-volts AC • Requires Class 2, 120-volt to 12-volt AC electronic (remote or plug-in) or magnetic (remote) driver/transformer for operation • Juno's TL602E and TL548U electronic drivers/transformers, and TL576 magnetic driver/transformer are designed specifically for use with these luminaires.

Dimming May be dimmed with dimmers tested and qualified by Juno for use with TL602E and TL576 • Refer to driver/transformer specifications for compatible dimmers • Color temperature remains constant over dimming range

Labels UL Listed for indoor damp locations • UL and cUL Listed • Union made • RoHS compliant.

Warranty Warranty period is 5-years from date of purchase • Standard Juno Lighting Group product guarantee terms and conditions apply • Continuously operating these luminaires above 12VAC will void the warranty.

Product specifications subject to change without notice.

ACCESSORIES

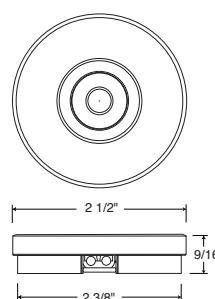
Catalog No.	Description
UST18G-10-WH	18AWG 2-Conductor Parallel Bonded Wire, 10-feet, White
UST18G-25-WH	18AWG 2-Conductor Parallel Bonded Wire, 25-feet, White
UST18G-10-BL	18AWG 2-Conductor Parallel Bonded Wire, 10-feet, Black
UST18G-25-BL	18AWG 2-Conductor Parallel Bonded Wire, 25-feet, Black
USTL-REC-BL	Kit to convert surface mount to recessed mount, Black
USTL-REC-BZ	Kit to convert surface mount to recessed mount, Brushed Bronze
USTL-REC-SN	Kit to convert surface mount to recessed mount, Satin Nickel
USTL-REC-WH	Kit to convert surface mount to recessed mount, White

REV-12/12

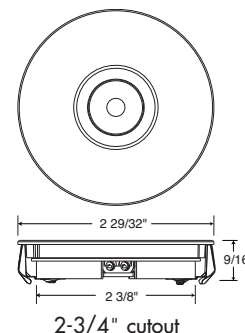


DIMENSIONS

Surface Mount (USTL1-3K)



Recessed Mount (USTLR1-3K)



ELECTRICAL DATA

	USTL1-3K/USTLR1-3K	UK3STL1-3K
No. of Fixtures	1	3
Input voltage	12VAC	12VAC
Total input power (watts)	4.3*	14.3
Total input current	0.37*	0.14
Lumens	205	571
Efficacy (lumens/watt)	47.7	40.1

*Solo-Task input power. Additional losses vary depending on transformer and system loading.

PRODUCT CODES

Catalog Number	Mounting Style	Finish	Color Temperature
USTL1-3K-BL	Surface	Black Face/Black Base	3000K
USTL1-3K-BZ	Surface	Brushed Bronze Face/Black Base	3000K
USTL1-3K-SN	Surface	Satin Nickel Face/Black Base	3000K
USTL1-3K-WH	Surface	White Face/White Base	3000K
USTLR1-3K-BL	Recessed	Black Face/Black Base	3000K
USTLR1-3K-BZ	Recessed	Brushed Bronze Face/Black Base	3000K
USTLR1-3K-SN	Recessed	Satin Nickel Face/Black Base	3000K
USTLR1-3K-WH	Recessed	White Face/White Base	3000K

Catalog Number	Kit Content Description
UK3STL1-3K-BL	3 Surface Mount Luminaires (USTL1-3K), 1 Plug-in Driver/Transformer with field installed switch (black), 10-feet of wire (black), 5-adhesive backed wire clips (white)
UK3STL1-3K-BZ	
UK3STL1-3K-SN	
UK3STL1-3K-WH	3 Surface Mount Luminaires (USTL1-3K), 1 Plug-in Driver/Transformer with field installed switch (white), 10-feet of wire (white), 5-adhesive backed wire clips (white)

TRANSFORMERS

Catalog No.	Finish	Description
TL602E-10-WH	White	10W 12V Electronic Driver/Transformer
TL602E-25-WH	White	25W 12V Electronic Driver/Transformer
TL602E-60-WH	White	60W 12V Electronic Driver/Transformer
TL576-10-BL	Black	10W 12V Magnetic Driver/Transformer
TL576-25-BL	Black	25W 12V Magnetic Driver/Transformer
TL576-60-BL	Black	60W 12V Magnetic Driver/Transformer

UNDERCABINET LIGHTING

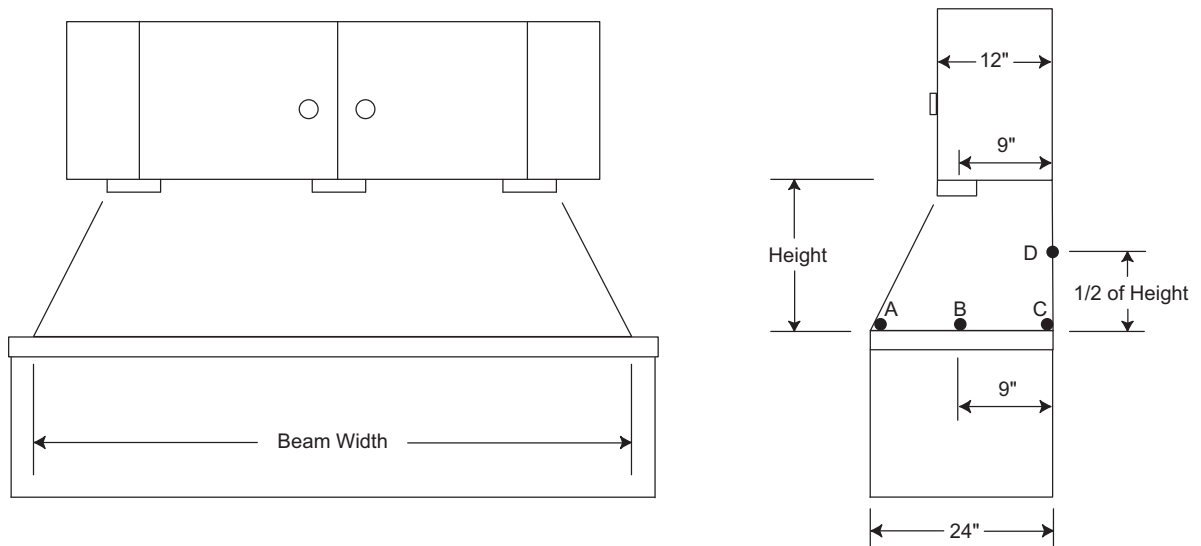
SOLO-TASK LED
12VAC, 3000K LED ARRAY

**USTL1-3K, UK3STL-3K
USTLR1-3K**

LIGHTING APPLICATION DATA

FOOTCANDLES ON HORIZONTAL WORK SURFACE

Three Solo-Task Fixtures



Based on Three Solo-Task Fixtures Spaced 18" On-Center

Height	Beam Width*	Footcandles			
		A	B	C	D
15"	51"	29.2	77.1	41.6	30.1
18"	53"	29.0	60.7	40.8	30.1
24"	56"	26.4	42.0	34.3	27.0

*Beam width defined as 50% of maximum footcandles

Rear wall reflectance 50%

Counter surface reflectance 20%