

# VuLite®

## 4" LED RETROFIT MODULE

DOWNLIGHT RETROFIT FOR STANDARD  
4" RECESSED HOUSINGS

### V4RLD-27K-6-WWH

Project: \_\_\_\_\_

Fixture Type: \_\_\_\_\_

Location: \_\_\_\_\_

Contact/Phone: \_\_\_\_\_

#### PRODUCT DESCRIPTION

Energy efficient LED retrofit module fits into standard 4" IC or non-IC recessed housings • Replaces 65W incandescent lamp, producing 575 lumens at 11W • Dimmable with most standard incandescent dimmers and electronic low voltage dimmers

- LED retrofit module is designed to provide 35,000 hours of life
- 3 year warranty

#### PRODUCT SPECIFICATIONS

**LED Retrofit Downlight Module** All-in-one design where LED light engine mounts directly to trim for ease of installation into existing 4" recessed housings with medium base sockets

- Provided with push-in springs.

**LED Light Engine** LEDs and driver are mounted directly to upper housing with finned aluminum heat sink designed to provide superior thermal management and ensure long life • 2700K LED color temperature • 80 CRI minimum • 120 volts AC at 60Hz.

**LED Driver** Accommodates 120 volts AC at 60Hz • Driver is dimmable with most standard incandescent, magnetic low voltage and electronic low voltage dimmers • For a list of compatible dimmers, see [VULITELED-DIM](#).

**Socket Adapter** Trim ships with medium base socket adapter whip to connect to fixtures without removable socket.

**Trim** Spun aluminum baffle trim with white finish • Diffusing lens conceals the LEDs from direct view and provides uniform aperture luminance.

**Life** Rated for 35,000 hours at 70% lumen maintenance.

**Labels** ENERGY STAR® qualified to luminaires V1.1 requirements

- UL and cUL classified for use with most standard UL listed 4" recessed incandescent housings; see below for specific compatibility requirements
- Suitable for damp locations.

**Testing** All reports are based on published industry procedures; field performance may differ from laboratory performance.

Product specifications subject to change without notice.

#### INSTALLATION

The LED retrofit module is provided with push-in springs as standard.

#### COMPATIBLE HOUSINGS

The V4RLD retrofit module is compatible with most 4" recessed housings measuring at least 4-1/2" high with an inside diameter between 3-15/16" and 4-1/2".

**Compatible housings include, but not limited to:**

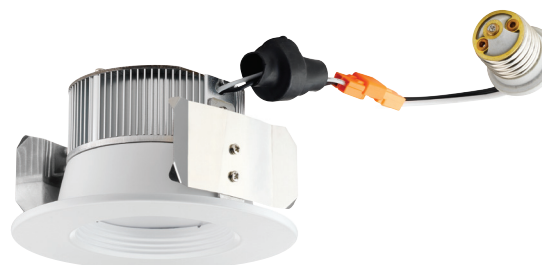
**VuLite housings:** V4IC and V4TC Series

**Juno housings:** IC1 and TC1 Series

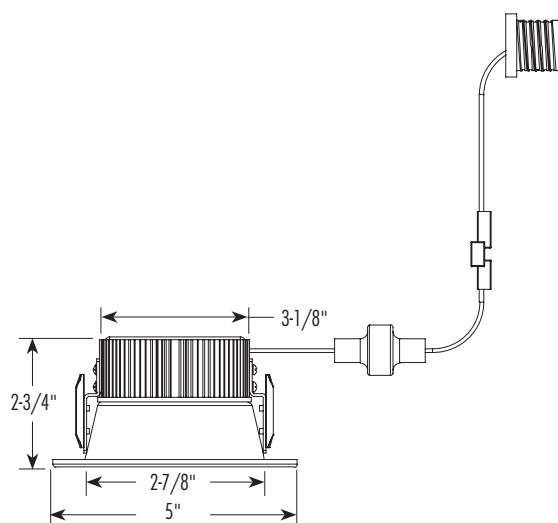
**Halo housings:** H99 Series

**Thomas housings:** PS4 Series

**Lithonia housings:** L3 Series



#### DIMENSIONS



#### PERFORMANCE DATA

Input Voltage	120V
Input Power	11W Typical
Frequency	60Hz
EMI/RFI	FCC Title 47, Part 15 Class B (consumer)
Minimum starting temp	-30°C (-22°F)
Lumens	575 Typical
CRI	80 min.
CCT	2700K
LPW	52

#### PRODUCT CODES

Catalog Number	Description
V4RLD-27K-6-WWH	4" LED retrofit module, 2700K

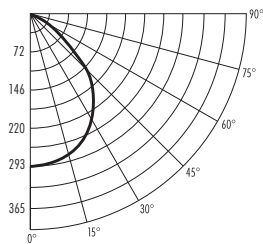
# 4" LED RETROFIT MODULE

## DOWNLIGHT RETROFIT FOR STANDARD 4" RECESSED HOUSINGS

### V4RLD-27K-6-WWH

#### PHOTOMETRIC REPORT

Test Report #: PT03131102  
 Catalog No: V4RLD-27K-6-WWH  
 Luminaire Spacing Criterion: 1.26  
 Luminaire LPW: 52



#### CANDLEPOWER DISTRIBUTION (Candelas)

Degrees Vertical	0°
0	293
5	292
15	278
25	251
35	209
45	149
55	81
65	33
75	13
85	2
90	0

#### AVERAGE INITIAL FOOTCANDLES

Multiple Units (Square Array, 60'x60' room)  
 Ceiling 80% Wall 50% Floor 20%

Spacing	RCR1	RCR3	RCR5
4.0'	39	32	26
5.0'	25	20	17
6.0'	18	14	11
7.0'	14	11	9
8.0'	11	9	7
9.0'	9	7	6
10.0'	6	5	4

#### ZONAL LUMEN SUMMARY

Zone	Lumens	%Lamp	%Fixture
0-30°	222	N/A	37.6
0-40°	352	N/A	59.6
0-60°	539	N/A	91.4
0-90°	590	N/A	100.0

#### INITIAL FOOTCANDLES (One Unit, 11.4W, 90.6° Beam)

Distance to Illuminated Plane (Feet)	Footcandles Beam Center	Beam Diameter
4	18.3	8.1'
6	8.1	12.1'
8	4.6	16.2'
10	2.9	20.2'

#### LUMINANCE (Average cd/m<sup>2</sup>)

Degrees	Average Luminance
45	46070
55	30861
65	17055
75	11173
85	5027