

ENVIRONMENTALLY FRIENDLY, ENERGY EFFICIENT

- The Indy 2x2 Architectural Basket Series delivers up to 3900 lumens and efficacies as high as 122 lumens per watt
- Direct/Indirect distribution of soft light creates superior brightness control and balanced light
- Available in wide range of color temperatures with 0-10V dimming
- No harmful ultraviolet or infrared wavelengths
- Contains no lead or mercury

PRODUCT SPECIFICATIONS
Basket Style Optics

Shielding: Specially formulated high transmission optic features a textured opal surface on one side specifically designed for lighting lenses • Unique combination of high light diffusion and high light transmission through a combination of optimized surface texture and advanced diffuser technology enhance fixture aesthetics while maximizing performance • Easily removable for access to LED boards and driver

Reflector

High reflectance white paint provides soft, uniformed indirect light distribution

Electrical

LED Light Engine: High-performance LEDs deliver consistent high-quality white light and uniform illumination without pixilation • Consistent fixture-to-fixture color temperature within 3 MacAdam ellipses • Light engine/reflector system produces 3900 lumens while using only 36 watts of energy • 3000K, 3500K, 4100K and 5000K color temperatures • CRI>80 • Easily replaceable array boards allow for easy maintenance or updating technology

LED Driver: Accommodates 120- 277V and 347V input volts AC at 50/60Hz • Power factor >0.9 • Dimming standard to 10% with 0-10V DC control protocol • Easy access to driver for maintenance and new technology • For list of compatible dimmers see [LED-DIM](#)

Life: Rated for 50,000 hours at 70% lumen maintenance, 8-12 years commercial use expectancy

Housing

Cold rolled steel or electro galvanized substrate • Highly reflective white finish on phosphate-free, multi-staged pretreated metal • Built-in earth quake clips

Mounting

Lightweight and easy to install in any standard T-Bar or screw slot grids • Drywall frame available for plaster/drywall ceilings, see accessories. • Ideal for new construction and remodel applications

Labels and Listings

- Tested and certified to UL and CSA standards using ETL laboratories
- ETL Listed for damp locations
- DesignLights Consortium® qualified
- I.B.E.W. Union made • Assembled in the U.S.A.



Warranty: 5 years when used in accordance with manufacturing guidelines.

Product specifications subject to change without notice.

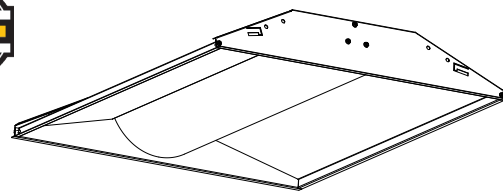
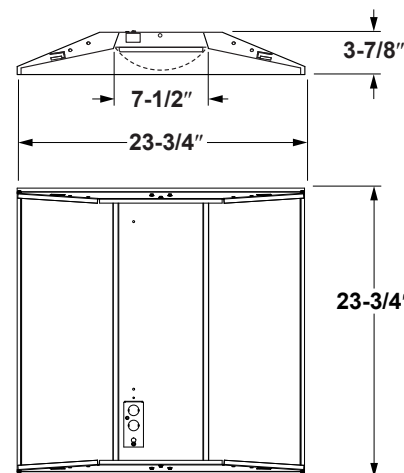
ORDERING INFORMATION: Accessories ordered separately

Example: **S2X2BL-3930U-WH3**

Cat. #	Lumens	Color Temp.	Voltage	Finish	Generation	Options
S2X2BL	<input type="text"/>	<input type="text"/>	<input type="text"/>	<input type="text"/>	<input type="text"/>	<input type="text"/>
S2X2BL	39	30	U	WH	3	CP Chicago Plenum
2'x 2'	3900 Lumens	3000K	120-277V	White	Gen3	BR Emergency Battery pack w/ Remote Test Switch
Solid State, Low Profile LED		35	3			LDI Lumen Depreciation Indicator (Cannot be used w/ BR Option)
		3500K	347V			G Gasket (Contamination Deterrent gasket)
		40				AM Anti-Microbial Paint (Provides mildew and odor resistance to product)
		4100K				
		50				
		5000K				

2X2 LED LOW-PROFILE RECESSED LUMINAIRE WITH BASKET DIFFUSER S2X2BL SERIES

Type _____	Cat. No. _____
Project: _____	
Notes: _____	


DIMENSIONS

ENGINEERING DATA

Voltage	120V - 277V
Light Engine Lumens	3900
CCT	3K/35K/4K/5K
Input Wattage	36W
Input Frequency	50/60Hz
Power Factor	0.9

Consult factory for 347V

Accessories

- 2X2DWA** 2' X 2' Drywall Frame Adapter
- 2X2EC** Additional Earth Quake Clips, Set of 2
- LFC** Fixture Clips for Armstrong 9/16" T

Related Products:

- S1X4BL** K14.1.5
- S2X4BL** K14.1.7

