



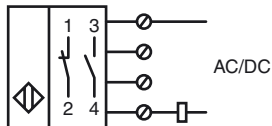
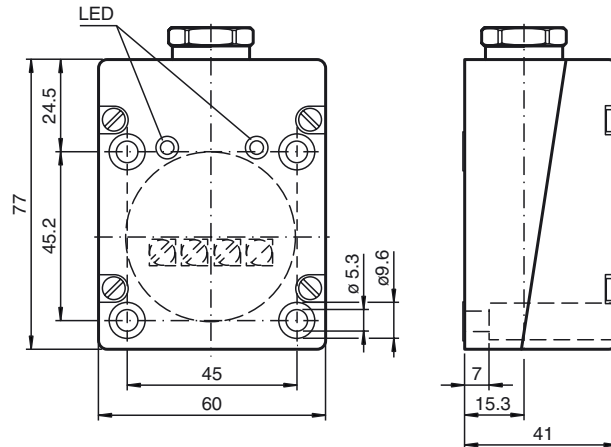
CE

Model Number

NBN30-FPS-UU

Features

- 30 mm not embeddable
- NO/NC selectable

Connection**Dimensions****Technical Data****General specifications**

Switching element function		AC/DC	NO/NC
Rated operating distance	s_n	30 mm	
Installation		not embeddable	
Output polarity		AC/DC	
Assured operating distance	s_a	0 ... 24.3 mm	
Actuating element		structural steel, e. g. 1.0037, SR235JR (formerly St37-2) 90 mm x 90 mm x 1 mm	
Reduction factor r_{Al}		0.2	
Reduction factor r_{Cu}		0.1	
Reduction factor r_{304}		0.5	
Reduction factor r_{Brass}		0.2	

Nominal ratings

Installation conditions			
B		70 mm	
C		40 mm	
F		100 mm	
Operating voltage	U_B	20 ... 265 V AC/DC	
Switching frequency	f	0 ... 25 Hz	
Hysteresis	H	0.05 ... 7.26 mm	
Reverse polarity protected		yes	
Short-circuit protection		no	
Overload resistance		no	
Wire breakage protection		yes	
Inductive overvoltage protection		yes	
Surge suppression		yes	
Voltage drop	U_d	≤ 8 V	
Repeat accuracy		0.75 mm	
Operating current	I_L	0 ... 300 mA	
No-load supply current	I_0	≤ 2 mA	
Indication of the switching state		LED, yellow	

Functional safety related parameters

Mission Time (T_M)	20 a
Diagnostic Coverage (DC)	0 %

Ambient conditions

Ambient temperature	-25 ... 85 °C (-13 ... 185 °F)
Storage temperature	-40 ... 85 °C (-40 ... 185 °F)

Mechanical specifications

Connection type	screw terminals
Core cross-section	up to 2.5 mm ²
Housing material	PBT
Sensing face	PBT
Housing base	PBT
Protection degree	IP65
Mass	445 g

Compliance with standards and directives

Standard conformity	
Standards	EN 60947-5-2:2007 IEC 60947-5-2:2007

Installation hint

These sensors are especially designed for embeddable mounting in conveyor floors. Due to its precise location in metal base plates the sensor is afforded a high degree of mechanical protection. No clearance is required between the sensor and the base plate, avoiding the need for protective guarding to prevent possible foot injury.

The large sensing range ensures positive detection, and thus provides consistent control and monitoring of the conveyor.

